

Model **GWC**

**Series 2**  
**Gas-Fired Water Boilers**

---

---

**Boiler Manual**

- Installation
- Maintenance
- Startup
- Parts



**⚠ WARNING** This manual must only be used by a qualified heating installer/service technician. **BEFORE** installing, read all instructions in this manual and all other information shipped with the boiler. Perform steps in the order given. Failure to comply could result in severe personal injury, death or substantial property damage.

# How it works . . .

## 1 Integrated boiler control

The integrated boiler control (IBC) responds to signals from the room thermostat, air pressure switch, inlet water sensor, boiler water temperature sensor and boiler limit circuit to operate the circulators, gas valve, igniter and blower. When a room thermostat calls for heat, the IBC starts the system circulator and blower.

The IBC runs the blower to purge the boiler flue passages, then turns on the igniter and lets it warm up.

After igniter warm-up, the IBC opens the gas valve, turns the igniter off, and checks for flame. The flame must come on within 4 seconds or the IBC will shut down and try the full cycle again.

When the room thermostat is satisfied, the IBC turns off the boiler components and waits for the next heat call.

The IBC indicator lights show normal sequence when the lights are on steady. When a problem occurs, the IBC flashes combinations of lights which indicate the most likely reason for the problem.

While attempting to satisfy the heat demand, the control module monitors the boiler temperature changes via the temperature sensors and determines whether or not the available hot water will satisfy the demand, only running the circulator. If additional heat is needed, the sequence continues. When DHW (if used) calls for heat, sequence above is bypassed.

## 2 Transformer

The control transformer reduces line voltage to 24 volts for the gas valve and limit circuit.

## 3 Blower

The blower pulls in air and mixes it with gas from the gas valve. The blower forces this mixture into the burner for combustion inside the boiler chamber.

## 4 Recuperator

The recuperator is a stainless steel heat exchanger that increases boiler efficiency by extracting additional heat from the flue gases. Return water passes through the recuperator before entering the boiler.

## 5 Water temperature sensor

The water temperature sensor provides a signal to the control module to turn off the gas valve if the temperature in the boiler goes above its setting. (The circulator will continue to run as long as there is a call for heat.)

## 6 System circulator

The system circulator circulates water through the external (system) piping. The flow rate of the circulator is controlled by the IBC, depending on the temperature of the water entering the boiler sections. Pump must remain on boiler — do not remove.

## 7 Bypass circulator

The IBC operates the bypass circulator to mix hot water from the boiler outlet with colder return water from the system as needed to prevent condensation of flue gases in the cast iron heat exchanger.

When the water returning to the boiler is below 140°F, the IBC regulates the bypass circulator and system circulator flow rates to raise the return water temperature up to 140°F before it enters the cast iron sections. By balancing these flow rates, the IBC can protect against condensation even if return water is as low as 60°F.

Pump must remain on boiler — do not remove.

## 8 Air pressure switch

The air pressure switch signals the IBC, telling the control whether air is moving through the blower.

## 9 Return water temperature sensor

The water temperature sensor monitors the temperature of the water entering the boiler sections. The sensor sends this information to the IBC. The IBC determines how much to adjust the circulator flow rates to provide at least 140°F water to the cast iron heat exchanger.

## LEGEND

- a** Supply to system, 1" NPT
- b** Return from system, 1" NPT
- c** Combustion air inlet fitting — 3" PVC connection
- d** Flue outlet — 3" PVC connection
- e** Gas valve — negative pressure regulated gas control
- f** Pressure/temperature gauge
- g** Flueway inspection port cover
- h** Sensor hose trap
- i** Manual air vent
- j** Relief valve
- k** Thermal switch — a device that shuts boiler off if flue temperature exceeds its setpoint
- l** Condensate trap — shipped loose with boiler, field installed

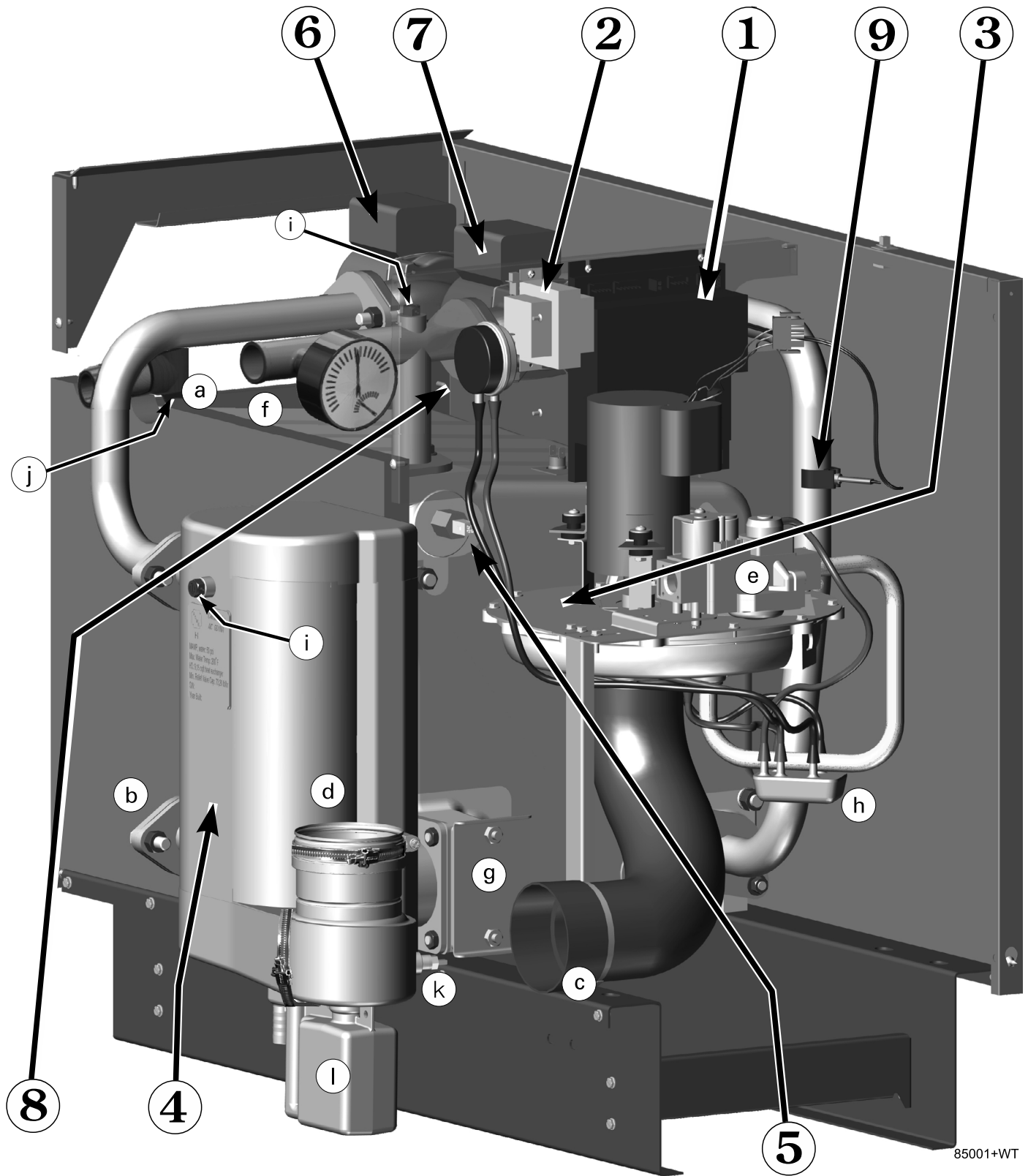
## ⚠ WARNING

This boiler uses a negative-pressure-regulated gas valve, set for an outlet pressure approximately  $-0.20$ " water column.

**DO NOT** set the outlet pressure higher than factory setting.



# GWC Series 2 Water Boiler



85001+WT

# Contents

<b>How it works . . . . .</b>	<b>2</b>	DIRECT VENT installations . . . . .	30	<b>Gas piping . . . . .</b>	<b>52</b>
<b>GWC Series 2 Water Boiler . . . . .</b>	<b>3</b>	DIRECT EXHAUST installations . . . . .	30	Connecting gas supply piping . . . . .	52
<b>Please read before proceeding . . . . .</b>	<b>5</b>	Combustion air contamination . . . . .	30	Natural Gas . . . . .	53
<b>Prepare boiler location . . . . .</b>	<b>6</b>	Manifolded combustion air option for DIRECT VENT multiple boiler installations	31	Propane Gas . . . . .	53
Installations must follow these codes: . . . . .	6	Air manifold sizing . . . . .	31	<b>Wiring . . . . .</b>	<b>53</b>
High altitude installations . . . . .	6	<b>Commonwealth of Massachusetts installations . . . . .</b>	<b>34</b>	<b>Start-up . . . . .</b>	<b>57</b>
Residential garage installation . . . . .	7	<b>Vent termination requirements . . . . .</b>	<b>35</b>	Freeze protection (when used) . . . . .	57
Minimum clearances . . . . .	7	<b>DIRECT VENT — Boiler room air openings . . . . .</b>	<b>36</b>	Clean system to remove sediment . . . . .	57
Check orifice plate — replace if necessary . . . . .	8	<b>DIRECT VENT — Sidewall with separate pipes . . . . .</b>	<b>37</b>	Water chemistry . . . . .	57
Install condensate trap . . . . .	9	<b>DIRECT VENT — Sidewall with 3” concentric . . . . .</b>	<b>39</b>	Antifreeze . . . . .	57
GWC Suggested Condensate Pump Capacity . . . . .	9	<b>DIRECT VENT — Vertical with separate pipes . . . . .</b>	<b>41</b>	Fill and test water system . . . . .	58
Install high altitude air pressure switch when required (only above 5,500 feet) . . . . .	10	<b>DIRECT VENT — Vertical with 3” concentric . . . . .</b>	<b>43</b>	Check/verify water chemistry . . . . .	58
Rotate the boiler into position . . . . .	10	<b>Concentric termination assembly (sidewall or vertical) . . . . .</b>	<b>45</b>	Check inhibitor concentration annually . . . . .	58
Perform hydrostatic pressure test . . . . .	11	<b>Vent and air piping and boiler connections . . . . .</b>	<b>46</b>	Verify gas/air orifice plate . . . . .	58
<b>Install water piping . . . . .</b>	<b>12</b>	DIRECT EXHAUST & DIRECT VENT . . . . .	46	Check for gas leaks . . . . .	59
General piping information . . . . .	12	Follow termination instructions . . . . .	46	Check thermostat circuit(s) . . . . .	59
Install relief valve . . . . .	12	Installing vent and air piping . . . . .	46	Inspect/fill condensate system . . . . .	59
Expansion tank . . . . .	13	DIRECT EXHAUST ONLY . . . . .	46	Final checks before starting boiler . . . . .	60
System water piping methods . . . . .	15	<b>DIRECT EXHAUST — Boiler room air openings . . . . .</b>	<b>47</b>	Adjust boiler control settings . . . . .	60
Circulators . . . . .	15	Combustion air provision . . . . .	47	To start the boiler . . . . .	60
Simplified pipe/circulator selection . . . . .	15	Sizing combustion air openings . . . . .	47	If boiler does not start correctly . . . . .	60
Baseboard system piping — CIRCULATOR zoning (primary/secondary) . . . . .	16	Special considerations . . . . .	47	Check system and boiler after start-up . . . . .	60
Baseboard system piping — ZONE VALVE zoning (direct connection) . . . . .	16	Air openings . . . . .	48	Gas valve adjustment — altitude over 5,500 feet ONLY . . . . .	61
Radiator system piping . . . . .	18	GWC boiler WITH other appliances in room . . . . .	48	Final checklist . . . . .	62
Single-zone radiant heating or heat pump . . . . .	19	GWC boiler WITHOUT other appliances in room . . . . .	48	<b>Department of Energy - Compliance . . . . .</b>	<b>63</b>
Adjust balancing valves . . . . .	19	<b>DIRECT EXHAUST — Sidewall . . . . .</b>	<b>49</b>	<b>Annual start-up and general maintenance schedule . . . . .</b>	<b>66</b>
Multi-zone radiant heating system . . . . .	20	<b>DIRECT EXHAUST — Vertical . . . . .</b>	<b>51</b>	<b>Annual start-up . . . . .</b>	<b>67</b>
Piping snow melt systems or combination snow melt/space heating systems . . . . .	21			<b>Service &amp; maintenance . . . . .</b>	<b>71</b>
Water chiller systems . . . . .	22			Cleaning boiler heating surfaces . . . . .	71
<b>Multiple boiler installations . . . . .</b>	<b>23</b>			Inspecting and cleaning the recuperator . . . . .	72
Placing multiple boilers . . . . .	23			<b>Troubleshooting . . . . .</b>	<b>74</b>
Controlling multiple GWC boilers . . . . .	23			<b>Handling ceramic fiber and fiberglass materials . . . . .</b>	<b>88</b>
Piping multiple GWC boilers . . . . .	23			<b>Replacement parts . . . . .</b>	<b>89</b>
<b>Multiple boiler water piping . . . . .</b>	<b>24</b>			<b>Dimensions and ratings . . . . .</b>	<b>100</b>
Secondary header piping installation . . . . .	24			<b>Installation and service certificate . . . . .</b>	<b>103</b>
<b>Venting &amp; air — general . . . . .</b>	<b>29</b>				
When removing a boiler from an existing common vent system . . . . .	29				
Existing vent test procedure . . . . .	29				
Provide combustion air . . . . .	30				
Vent and air termination options . . . . .	30				

# Hazard definitions

The following defined terms are used throughout this manual to bring attention to the presence of hazards of various risk levels or to important information concerning the life of the product.

**▲ DANGER** Indicates presence of hazards that will cause severe personal injury, death or substantial property damage.

**▲ CAUTION** Indicates presence of hazards that will or can cause minor personal injury or property damage.

**▲ WARNING** Indicates presence of hazards that can cause severe personal injury, death or substantial property damage.

**NOTICE** Indicates special instructions on installation, operation or maintenance that are important but not related to personal injury or property damage.

# Please read before proceeding

**⚠ WARNING** **Installer**— Read all instructions, including this manual and all other information shipped with the boiler, before installing. Perform steps in the order given.

**User** — This manual is for use only by a qualified heating installer/service technician. Refer to User's Information Manual for your reference.

**User** — Have this boiler serviced/inspected by a qualified service technician, at least annually.

Failure to comply with the above could result in severe personal injury, death or substantial property damage.

**NOTICE** Write in the Consumer Protection (CP) number in the space provided on the Installation certificate on page 103 if not already shown.

When calling or writing about the boiler— Please have the boiler model number from the boiler rating label and the CP number from the boiler jacket.

Consider piping and installation when determining boiler location.

Any claims for damage or shortage in shipment must be filed immediately against the transportation company by the consignee.

**⚠ DANGER** **If any part of a boiler, burner or its controls has been sprayed with or submerged under water, either partially or fully, DO NOT attempt to operate the boiler until the boiler has been either replaced or completely repaired, inspected, and you are sure that the boiler and all components are in good condition and fully reliable.**

Otherwise, by operating this boiler, you will cause a fire or explosion hazard, and an electrical shock hazard, leading to serious injury, death, or substantial property damage. See the instructions at right.

**Saltwater Damage** — The exposure of boiler components to saltwater can have both immediate and long-term effects. While the immediate effects of saltwater damage are similar to those of freshwater (shorting out of electrical components, washing out of critical lubricants, etc.), the salt and other contaminants left behind can lead to longer term issues after the water is gone due to the conductive and corrosive nature of the salt residue. Therefore, Weil-McLain equipment contaminated with saltwater or polluted water will no longer be covered under warranty and should be replaced.

**Electrical Damage** — If any **electrical component or wiring** came into contact with water, or was suspected to have come into contact with water, replace the boiler with a new Williamson-Thermoflo boiler.

**⚠ WARNING** Failure to adhere to the guidelines below can result in severe personal injury, death or substantial property damage.

### When servicing boiler —

- To avoid electric shock, disconnect all electrical supplies to the boiler before performing maintenance.
- To avoid severe burns, allow boiler to cool before performing maintenance.
- This boiler contains ceramic fiber and fiberglass materials. Refer to the WARNING and instructions on page 88.

### Carbon monoxide detector —

- The installer must verify that at least one carbon monoxide alarm has been installed and is operational within a residential living space or home following the alarm manufacturer's instructions and applicable local codes before putting the appliance into operation, and
- For Direct Exhaust units, a carbon monoxide detector is required in the same room and near the boiler. The carbon monoxide detector must be wired on the same electrical circuit as the boiler.

### Boiler operation —

- Do not block flow of combustion or ventilation air to boiler.
- Should overheating occur or gas supply fail to shut off, do not turn off or

disconnect electrical supply to pump. Instead, shut off the gas supply at a location external to the appliance.

### Combustion air —

- DO NOT install combustion air intake where there is a risk of combustion air contamination.

### Boiler water —

- Before connecting the boiler, thoroughly flush the system to remove sediment. Install a strainer or other sediment removal equipment if necessary. The heat exchangers can be damaged by build-up or corrosion due to sediment.
- Do not use petroleum-based cleaning or sealing compounds in boiler system. Gaskets and seals in the system may be damaged. This can result in substantial property damage.
- Continual fresh make-up water will reduce boiler life. Mineral buildup in heat exchanger reduces heat transfer, overheats the heat exchanger, and causes failure. Addition of oxygen carried in by make-up water can cause internal corrosion. Leaks in boiler or piping must be repaired at once

to prevent make-up water. Use this boiler ONLY in a closed-loop system.

- Do not add cold water to a hot boiler. Thermal shock can cause heat exchanger to crack.

### Freeze protection fluids —

- NEVER use automotive or standard glycol antifreeze. Use only freeze-protection fluids made for hydronic systems. Follow all guidelines given by the antifreeze manufacturer. Thoroughly clean and flush any replacement boiler system that has used glycol before installing the new boiler

### ⚠ CAUTION Frozen Water Damage Hazard

Residences or buildings that are unattended in severely cold weather, boiler system components failures, power outages, or other electrical system failures could result in frozen plumbing and water damage in a matter of hours. For your protection, take preventative actions such as having a security system installed that operates during power outages, senses low temperature, and initiates an effective action. Consult with your boiler contractor or a home security agency.

### Commonwealth of Massachusetts

When the boiler is installed within the Commonwealth of Massachusetts:

- This product must be installed by a licensed plumber or gas fitter.
- If antifreeze is used, a reduced pressure back-flow preventer device shall be used.
- Sidewall vent air installations — see instruction on page 34.

# Prepare boiler location

## Installations must follow these codes:

- Local, state, provincial, national codes, laws, regulations and ordinances.
- National Fuel Gas Code, ANSI Z223.1/NFPA 54 – latest edition.
- Standard for Controls and Safety Devices for Automatically Fired Boilers, ANSI/ASME CSD-1, when required.
- National Electrical Code ANSI/NFPA 70 - latest edition.

The GWC boiler gas manifold and controls met safe lighting and other performance criteria when boiler underwent tests specified in ANSI Z21.13 — latest edition.

**NOTICE** For the Commonwealth of Massachusetts, read and follow the special instructions located on [page 34](#) of this manual.

**WARNING** Install the boiler so control system components are **protected from dripping or spraying water or rain** during operation. Allowing these components to become wet could cause a boiler failure, resulting in severe personal injury, death or substantial property damage.

## High altitude installations

GWC boiler controls automatically reduce input with increasing altitude. See Figure 1 for estimated input at altitude as a percentage of sea level input. Multiply the boiler sea level input by this percentage to obtain the estimated high altitude input. Note that the length of the venting system will also have a minor impact on input.

No modifications to the boiler should be necessary for installations up to 5,500 feet above sea level. For higher elevations, the air pressure switch must be changed to a special high altitude switch. Refer to the high altitude kit instructions, [page 10](#). Note that the gas valve outlet pressure must be checked (and adjusted if necessary) following instructions on [page 61](#).

**NOTICE** **DO NOT sidewall vent DIRECT EXHAUST APPLICATIONS** at altitudes above 5,500 feet. Sidewall venting is only allowed for **DIRECT VENT** applications (ducted combustion air) at altitudes above 5,500 feet.

**NOTICE** Vent length also affects boiler input — the boiler automatically derates to compensate for pressure loss through the vent. See the derate values given in [Figure 106, page 101](#). For high altitude installations, multiply the % in Figure 1 times the value shown in [Figure 106, page 101](#) to determine input vs sea level.

## Service clearances

When possible, install GWC boilers with clearances at least as large as shown in Figure 2 for best service access.

## Flooring

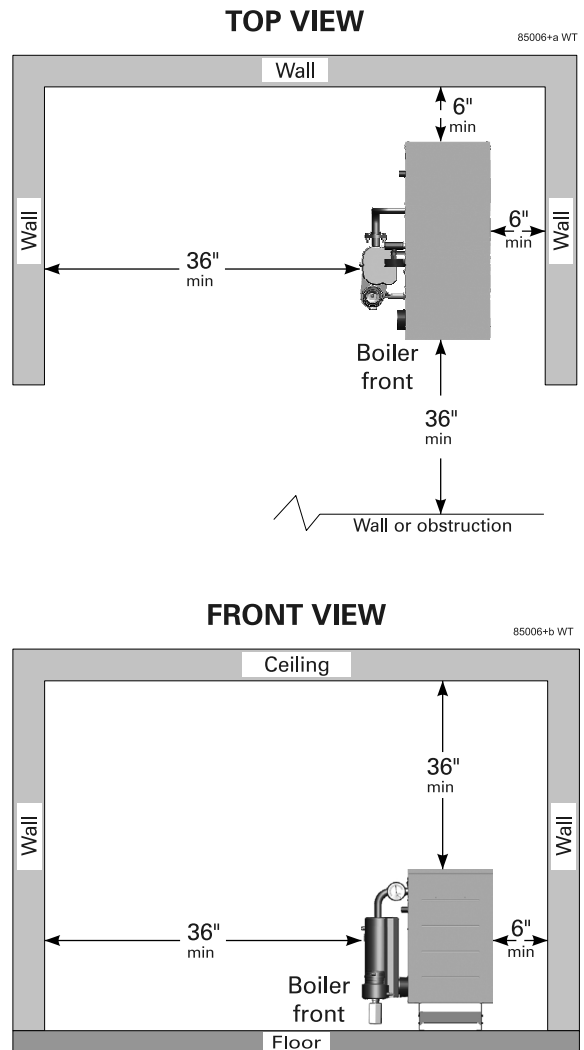
The GWC boiler is approved for installation on combustible flooring, but must never be installed on carpeting.

**WARNING** Do not install boiler on carpeting even if foundation is used. Fire can result, causing severe personal injury, death or substantial property damage.

Figure 1 Estimated GWC input at altitude

Altitude (feet)	% Sea level input
1,000	97
2,000	93
3,000	90
4,000	87
5,000	83
5,500	82
6,000	80
7,000	77
8,000	74
9,000	72
10,000	69

Figure 2 Service clearances (recommended)



# Prepare boiler location *(continued)*

## Foundation

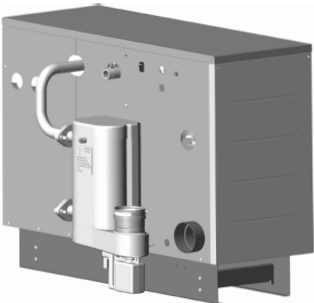
Provide a solid brick or concrete foundation pad if any of the following is possible:

- When the floor can become flooded.
- When the boiler mounting area is not level.
- When a high-profile condensate pump is used, provide a foundation high enough that the GWC condensate connection is at least as high as the condensate pump inlet connection.

**Figure 3** Minimum foundation dimensions (inches)

Boiler model	W	L	H *
GWC-070 GWC-105	16	30¾	2
GWC-140 GWC-175	16	37¾	2

\* Increase height if needed to ensure condensate trap outlet tee is above inlet of condensate pump, when used.



## Residential garage installation

### Precautions

Take the following special precautions when installing the boiler in a residential garage. If the boiler is located in a residential garage, per *ANSI Z223.1, paragraph 5.1.9*:

- Mount the boiler a minimum of **18 inches above the floor** of the garage to assure the burner and ignition devices will be no less than 18 inches above the floor.
- Locate or **protect the boiler** so it cannot be damaged by a moving vehicle.

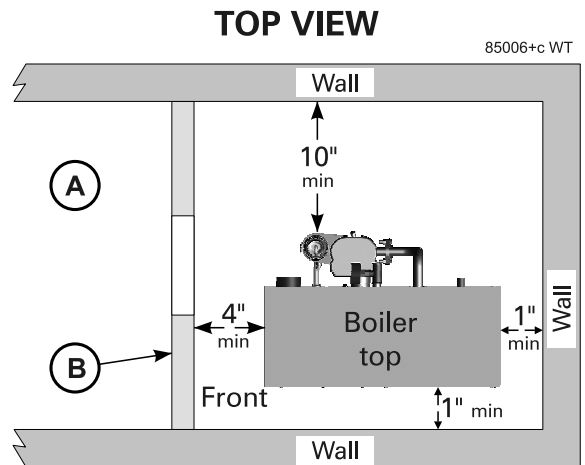
### Minimum clearances

**⚠ WARNING** You can install GWC boilers in spaces smaller than [Figure 2, page 6](#) recommended service clearances, but never smaller than shown in [Figure 4](#).

Installations with clearances less than shown in [Figure 2, page 6](#) must have air openings sized and located as shown in [Figure 4](#).

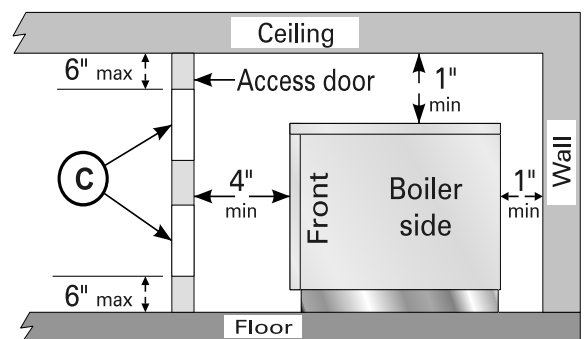
- Always provide at least screwdriver clearance to jacket front panel screws for removal of front panel for inspection and minor service.
- If the boiler **cannot be serviced in place**, pipe the boiler with unions and isolation valves so it can be slid out of the space and serviced in an adjacent area.
- The space has to be equipped with a door so boiler can be accessed, unpipied and removed.

**Figure 4** Minimum clearances — when clearances are less than recommended service clearances of [Figure 2, page 6](#), install as shown below:



- A** Area adjacent to access door must be accessible and must allow for removal of the GWC boiler for service. No other appliance or air mover (exhaust fan, etc.) may be mounted in the same space.
- B** Access DOOR with fresh air openings.
- C** Provide (2) Fresh air openings — Each with at least 1 sq. inch per 1,000 Btuh of boiler input.

### SIDE VIEW



**⚠ WARNING NOTICE SPECIAL REQUIREMENTS FOR AIR OPENINGS:** For installations with clearances less than recommended service clearances ([Figure 2, page 6](#)), but no less than shown in [Figure 4](#) — An access door must be provided, fitted with two (2) air openings as shown in [Figure 4](#). Each opening must have a free area no less than 1 square inch per 1000 Btuh input of the GWC boiler in the space. DO NOT apply the air opening sizes given in [Figure 42, page 36](#) or [Figure 56, page 48](#).



# Prepare the boiler *(continued)*

## Check orifice plate — replace if necessary

**▲WARNING** The **correct orifice plate** must be used. Failure to do so will result in severe personal injury, death or substantial property damage. **The boiler is shipped with a natural gas orifice plate. It MUST BE CONVERTED to use propane.**

### Natural gas:

For natural gas installations, **inspect the silver gas/air orifice plate marking**. It must be the same as the boiler size. If the orifice plate is stamped with another size, obtain the correct plate from your wholesaler. The boiler size is stamped where the “X” is shown in the plate stamping, Figure 6.

### Propane:

**▲WARNING** This conversion kit shall be installed by a qualified installer, service agency, or the gas supplier in accordance with the manufacturer's instructions and all applicable codes and requirements of the authority having jurisdiction. If the information in these instructions is not followed exactly, a fire, an explosion, or production of carbon monoxide can result causing property damage, personal injury, or loss of life. The qualified installer, service agency, or the gas supplier is responsible for the proper installation of this kit. The installation is not proper and complete until the operation of the converted appliance is checked as specified in the manufacturer's instructions supplied with the kit.

For propane installations, **replace the silver gas/air orifice plate with the red/white plate**, per following instructions. Ensure the red/white plate boiler size is correct for the GWC boiler being installed. The boiler size is stamped where the “X” is shown in the plate stamping, Figure 6.

Also fill out the propane label in the conversion kit and attach to the left side of the jacket, above the gas inlet opening, as shown in Figure 5.

## Orifice plate installation, when required

Access the bottom of the blower housing as shown in Figure 5.

To inspect the plate only, **read the marking on the plate edge**. It must read the same as the boiler size and fuel, as follows:

Boiler model	Natural gas marking	Propane (LP) marking
GWC-070	NG 3 SEC	LP 3 SEC
GWC-105	NG 4 SEC	LP 4 SEC
GWC-140	NG 5 SEC	LP 5 SEC
GWC-175	NG 6 SEC	LP 6 SEC

To replace the plate, using a **manual screwdriver or nut driver**, see Figure 6:

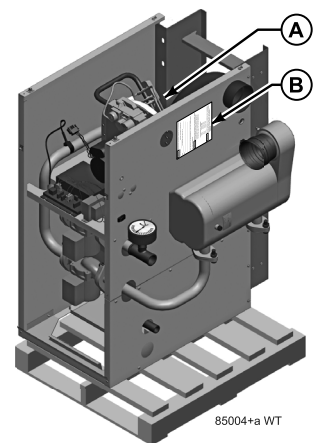
1. Loosen screws **1** and **2** two full turns.
2. Remove screws **3** and **4**.
3. Pull the gas/air orifice plate forward to remove it.
4. Slide in the new plate as shown in Figure 6. The **red side of a propane plate must go next to the blower housing**.
5. Replace screws **3** and **4**. Tighten all four screws securely and uniformly. **DO NOT** overtighten. **DO NOT** exceed 40 inch-pounds torque.
6. Bend down plate label tab at score mark as shown in lower right corner of Figure 6, item 10.

**▲WARNING** DO NOT use electric or pneumatic screwdrivers to remove or tighten the gas/air boss screws. Hand-tighten only, using manual screwdriver. Should the torque exceed 40 inch-pounds, the threaded holes could strip out, causing an inadequate seal of the orifice plate. Failure to properly seal the plate to the housing could result in a gas leak, causing severe personal injury, death or substantial property damage.

**Figure 5** Check for correct gas orifice plate

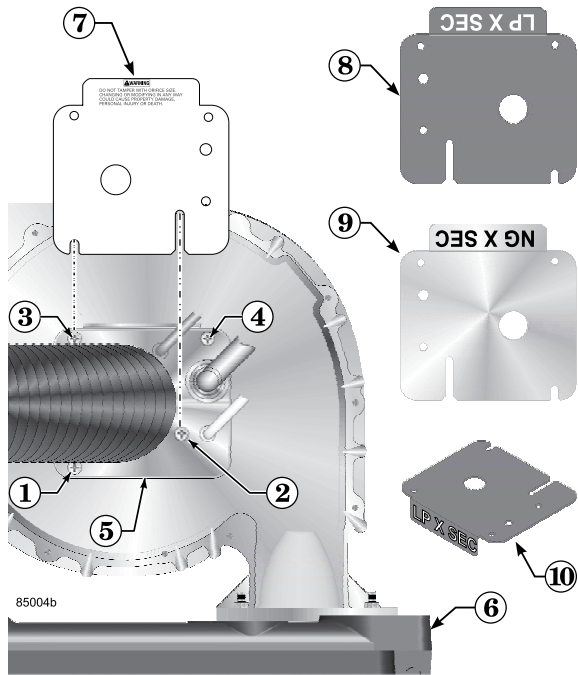
- A** Remove jacket front panel to access the bottom side of the blower housing.
- B** Complete the propane conversion label included with the conversion kit. Install label on jacket left side, as shown.

Leave the boiler on its back, on the skid as shown, until you have checked the gas/air orifice plate and replace it if necessary.



# Prepare the boiler *(continued)*

**Figure 6** Follow instructions to check or replace gas orifice plate ("X" = boiler size)



- 1-4 Screws — follow instructions for loosening and tightening
- 5 Gas/air manifold
- 6 Front section, bottom view, component details omitted
- 7 Side shown must point toward air inlet hose — WARNING label side for natural gas; WHITE side for propane gas
- 8 Propane orifice plate, RED one side and WHITE on the other (red side must face the blower housing)
- 9 Natural gas orifice plate, SILVER
- 10 Orifice plate after bending along score mark — label is visible when installed

## Install condensate trap

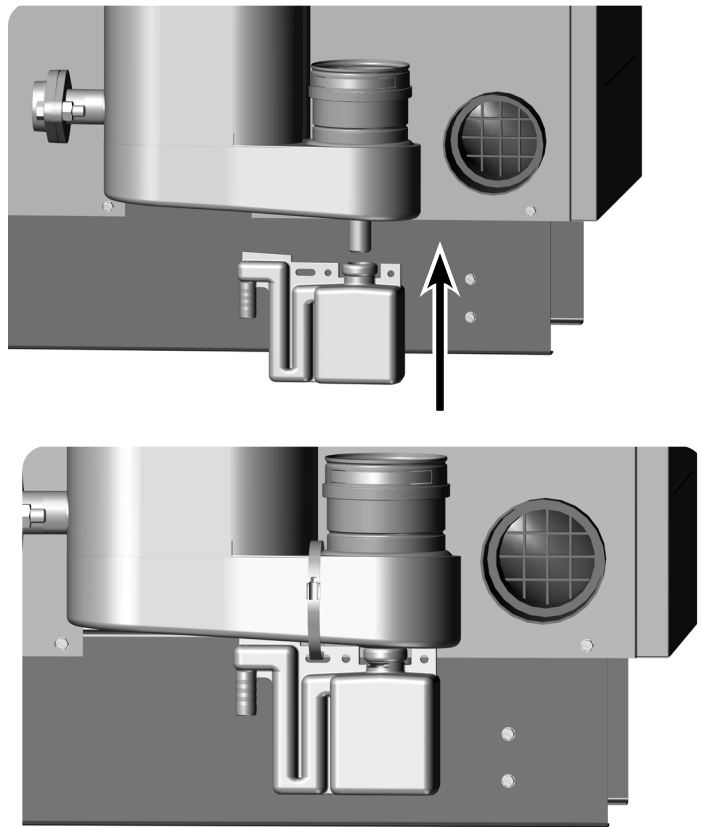
Before placing the boiler in position, install the condensate trap, shown in Figure 7. Items shown are provided with the boiler.

1. Fill the trap with water.
2. Slide the condensate trap onto the recuperator drain.
3. Make sure the recuperator connections and the condensate trap are installed securely.

**⚠WARNING** Failure to comply with the above could result in severe personal injury, death or substantial property damage.

4. Slide hose clamp around recuperator base between vent and recuperator body then through slot on top of the condensate trap.
5. Tighten hose clamp.
6. Connect drain line to new condensate trap.

**Figure 7** Install condensate trap



## GWC Suggested Condensate Pump Capacity

The table below contains the suggested condensate pump capacities for GWC boilers. The values below are calculated with assuming all the water vapor in the flue gases is condensed along a 1" per hour rain load and safety factor.

Boiler Model	Minimum recommended condensate pump capacity, per boiler, GPH
GWC-070	2
GWC-105	3
GWC-140	4
GWC-175	5

**Note:** The above values can vary depending on the location of the installation and operating conditions.

# Prepare the boiler *(continued)*

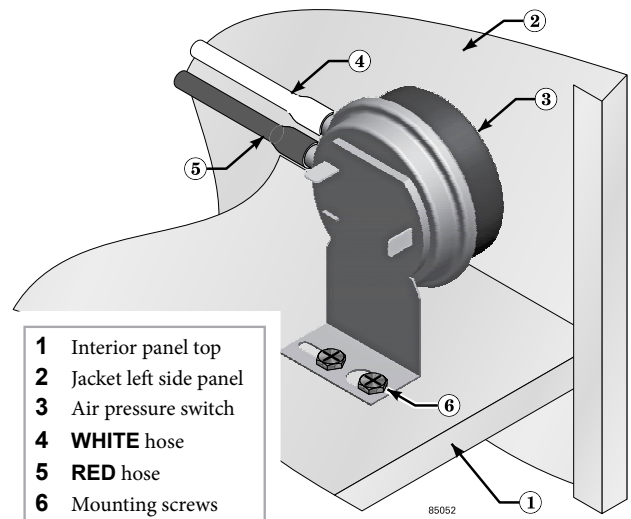
## Install high altitude air pressure switch when required (only above 5,500 feet)

1. For installations at altitude more than 5,500 feet above sea level:
  - a. A special high altitude air pressure switch is required.
  - b. The gas valve outlet pressure setting must be checked, and adjusted if necessary, per the instructions on [page 61](#).

**⚠ WARNING** Failure to check gas valve outlet pressure and adjust, if necessary, could result in severe personal injury, death or substantial property damage. Carefully follow the guidelines given in this manual.

2. Obtain the GWC high altitude kit from your local Williamson-ThermoFlo distributor. The high altitude kit contains the high altitude air pressure switch.
3. See Figure 8 (switch shown with wires removed).
  - a. Remove the two (RED) control wires from the air pressure switch spade terminals.
  - b. Remove the factory-installed air pressure switch (loosen top screw and remove bottom screw holding switch to jacket interior panel).
  - c. Install the high altitude air pressure switch in the same location.
  - d. Carefully replace the hoses on the new switch, with the red hose on the hose barb closest to the electrical spade connectors, as shown in Figure 8. The white hose goes on the other hose barb.
  - e. Replace the two (RED) control wires on the new pressure switch spade terminals.

**Figure 8** Air pressure switch mounting



**Figure 9** Follow instructions to perform the steps shown below

## Rotate the boiler into position

**⚠ CAUTION** Boiler is shipped on back side. It must be taken off skid and rotated into correct position.

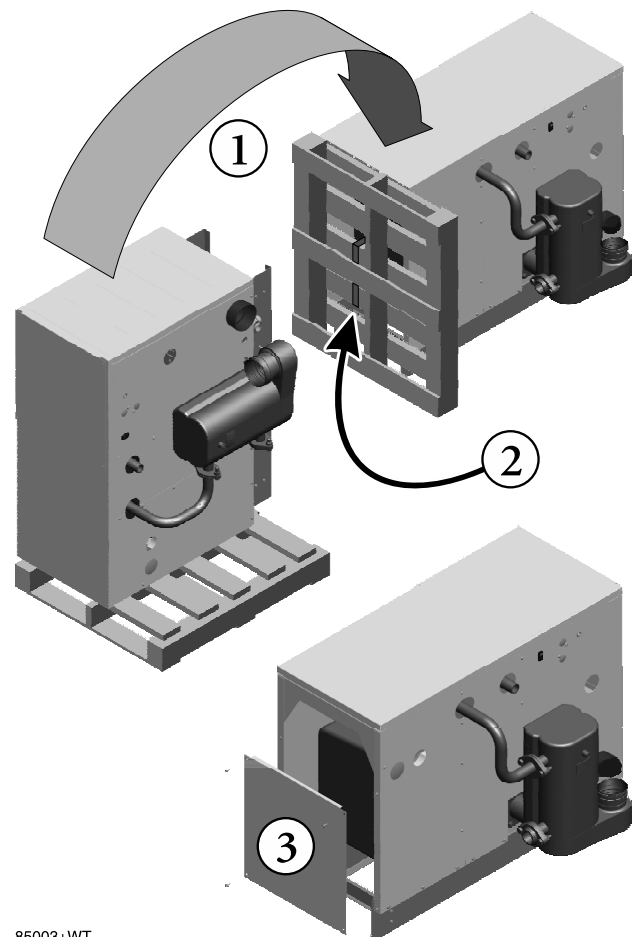
After installing condensate line, inspecting (replacing if necessary) the gas/air orifice and installing the high altitude kit (if required), move the boiler near its position.

Figure 9 shows the boiler with the front and top panels replaced. These panels may be left off if desired until the installation has been completed.

**⚠ DANGER** Boiler is heavy and contains some sheet metal parts which may have sharp edges. Wear gloves when handling and take proper precautions when moving. Failure to do so will result in severe personal injury, death or substantial property damage.

Refer to Figure 9 for placement sequence as follows:

- 1 **Wear heavy gloves** — carefully rotate the boiler over onto its base rail legs.
- 2 **Clip the shipping strap** securing the skid to the boiler block assembly. Remove the skid and strap.
- 3 Attach the **jacket rear panel** as shown using (4) #10 x 1/2" screws provided in the accessory bag.



85003+WT



# Prepare the boiler *(continued)*

## Perform hydrostatic pressure test

Pressure test boiler **before** attaching water or gas piping (except as noted below) or electrical supply. Remove jacket top panel before proceeding.

**⚠WARNING** Use two wrenches when tightening water piping at boiler, using one of the wrenches to prevent the boiler interior piping from turning. Failure to support the boiler piping connections to prevent them from turning could cause damage to boiler components.

### Prepare boiler for test — see Figure 10

- Step 1** Connect a hose from water supply to fill and drain boiler for hydrostatic test. Hose is not included with boiler.
- Step 2** Connect hose to boiler drain valve. Make sure hose can also be used to drain boiler after test.
- Step 3** Remove 1" nipple, 1" tee, bushing and pressure/temperature gauge from accessory bag. Pipe to boiler supply connection as shown. Use pipe dope sparingly.
- Step 4** Connect a nipple and shutoff valve to system supply connection on the 1" tee. This valve will be used to bleed air during the fill. Valve and nipple are not included with boiler.
- Step 5** Connect a nipple and shutoff valve to system return connection at circulator flange. This valve will be used to bleed air during the fill. Valve and nipple are not included with boiler.
- Step 6** Install a 3/4" pipe plug in the relief valve opening, top of the rear boiler section, as shown. Plug is not included with boiler.

### Fill and pressure test

1. Connect fill water supply through drain valve, item 2.
2. Fill boiler with water (be sure bleed valves at 4 and 5 are open).
3. When water flows from bleed valves, shut off water at drain valve.
4. Close bleed valves.
5. Slowly reopen drain valve (item 2) until test pressure of 45 PSIG (or 1.5 times boiler relief valve setting — NEVER MORE than 75 PSIG) is reached on the pressure gauge.
6. Test at this pressure for no more than 10 minutes.

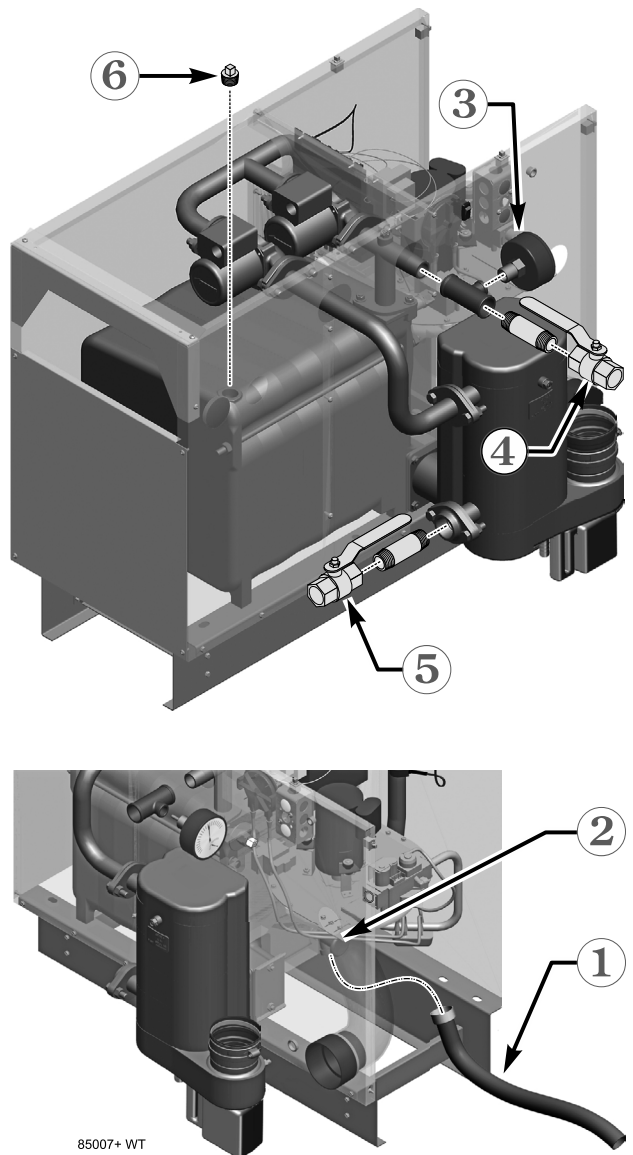
**⚠WARNING** Do not leave boiler unattended. If the boiler is filled with cold water, the water can absorb heat from the room and expand, causing excessive pressure, resulting in severe personal injury, death or substantial property damage.

7. Make sure constant gauge pressure has been maintained throughout test. Check for leaks. Repair if found.

**⚠WARNING** Leaks must be repaired at once. Failure to do so can damage boiler, resulting in substantial property damage.

**⚠DANGER** Do not use petroleum-based cleaning or sealing compounds in boiler system. Severe damage to boiler will occur, resulting in substantial property damage.

**Figure 10** Piping connections for hydrostatic test



### Drain and remove fittings

1. Disconnect fill water hose from water source.
2. Drain boiler at drain valve or out hose, whichever provides best access to drain. Close drain valve and remove hose after draining.
3. Remove plug (item 6) from relief valve tapping.
4. Isolation valves are required to enable servicing of the boiler's temperature sensor.

# Install water piping

**⚠WARNING** Use two wrenches when tightening water piping at boiler, using one of the wrenches to prevent the boiler interior piping from turning. Failure to support the boiler piping connections to prevent them from turning could cause damage to boiler components.

**⚠WARNING** The cast iron heat exchanger return temperature must be kept at or above 140°F during all times of operation to prevent possibility of corrosion due to condensation. This is done automatically, using the boiler's internal circulators. DO NOT remove or tamper with these circulators. Failure to comply could result in severe personal injury, death or substantial property damage.

## General piping information

### Minimum pipe size for boiler loop piping

**Figure 11** Provide boiler loop piping no smaller than listed below (based on 20°F temperature rise)

Boiler loop pipe size, Minimum	
GWC-070 or 105	1"
GWC-140 or 175	1¼"

### Additional limit controls

Following standard industry practices, if installation is to comply with ASME or Canadian requirements, an additional **high temperature limit** may be needed. Consult local requirements for other codes/standards to determine if needed. Wire as shown in [Figure 63, page 54](#).

- Install a manual reset high temperature limit between the boiler and the isolation valve.
- Wire the manual reset limit in series with the boiler limit control.
- Set the manual reset limit control at least 20°F above the boiler limit control setting (maximum setting 220°F).

### Low water cut-off, when required

A **low water cutoff device** is required when boiler is installed above radiation level or by certain state or local codes or insurance companies. Use low water cutoff designed for water installations. Electrode probe-type is recommended. Purchase and install in tee in supply piping above boiler. Wire contact as shown in [Figure 63, page 54](#).

**⚠WARNING** If boiler is connected to heating coils located in air handling units where they can be exposed to refrigerated air, use flow control valves or other automatic means to prevent gravity circulation during cooling cycle. Circulation of cold water through the boiler could result in damage to the heat exchanger, causing possible severe personal injury, death or substantial property damage.

### Backflow preventer

Where required by codes, install a **backflow preventer** in the cold water fill line, as shown in suggested piping diagrams on following pages. Install a check valve if a backflow preventer is not installed.

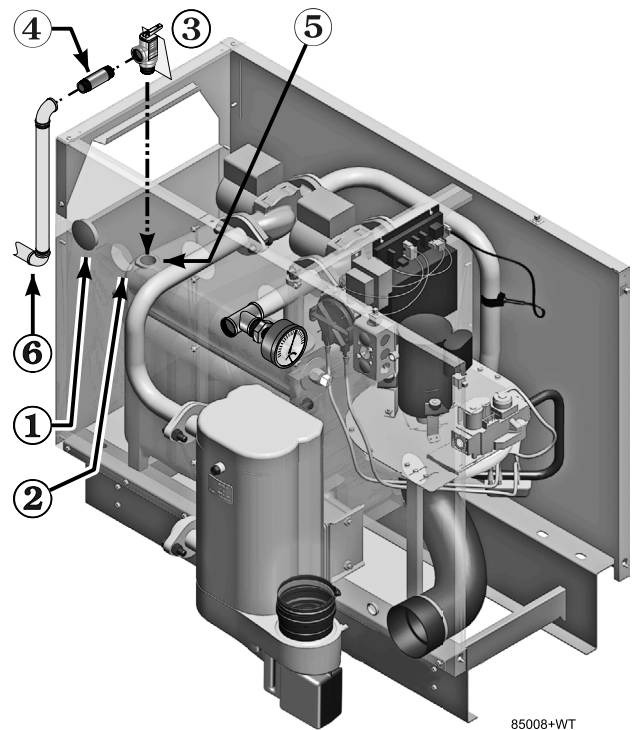
### Air separator

Install an **air separator** in the piping as shown in this manual. For single-zone systems, install the air separator in the return piping as shown in [Figure 14, page 14](#). This allows mounting the automatic air vent and expansion tank off of the separator.

### Install relief valve

1. Install relief valve ONLY as shown in Figure 12.
2. Connect discharge piping to safe disposal location, following guidelines in [Figure 13, page 13](#).

**Figure 12** Install pipe relief valve



### Legend

- 1 Jacket plug for unused relief valve jacket opening.
- 2 Jackets are provided with two relief valve openings because each jacket size is used for two boiler sizes. Cover the unused opening with the plug provided.
- 3 Boiler relief valve (from accessory bag)
- 4 ¾" x 3" nipple, provided in accessory bag
- 5 ¾" relief valve tapping in back section
- 6 Connect minimum ¾" discharge piping to relief valve.

See [Figure 13, page 13](#).

# Install water piping *(continued)*

**Figure 13** Relief valve installation guidelines

**⚠ WARNING** To avoid water damage or scalding due to relief valve operation, as per local or state codes:

Discharge line must be connected to relief valve outlet and run to a safe place of disposal. Terminate the discharge line in a manner that will prevent possibility of severe burns or property damage should the valve discharge.

Discharge line must be as short as possible and be the same size as the valve discharge connection throughout its entire length.

Discharge line must pitch downward from the valve and terminate at least 6" above the floor drain where any discharge will be clearly visible.

The discharge line shall terminate plain, not threaded, with a material serviceable for temperatures of 375°F or greater.

Do not pipe the discharge to any place where freezing could occur.

No shutoff valve shall be installed between the relief valve and boiler, or in the discharge line. Do not plug or place any obstruction in the discharge line.

Test the operation of the valve after filling and pressurizing system by lifting the lever. Make sure the valve discharges freely. If the valve fails to operate correctly, replace it with a new relief valve.

Failure to comply with the above guidelines could result in failure of the relief valve to operate, resulting in possibility of severe personal injury, death or substantial property damage.

## Expansion tank

Figure 14, page 14 and Figure 15, page 14 show typical installation of the expansion tank. Always locate the air separator and expansion tank as shown in the suggested piping drawings, beginning with Figure 17, page 16.

Ensure that the expansion tank size will handle boiler and system water volume and temperature. See tank manufacturer's instructions and ratings for details. Additional tanks may be added to the system if needed to handle the expansion. These tanks may be installed by connecting to tees in the system piping.

**⚠ CAUTION** **Undersized expansion tanks** cause system water to be lost from the relief valve and makeup water to be added through the fill valve. Eventual section failure can result. Always locate the **cold water fill connection** at the expansion tank. Never locate this elsewhere in the system.

### Diaphragm- or bladder-type tank:

Refer to Figure 14, page 14 for suggested piping when using a diaphragm- or bladder-type expansion tank.

**NOTICE** **Diaphragm- or bladder-type expansion tank** — Control **fill pressure** with the tank air charge pressure. Always check pressure and charge tank **with tank removed from system** to be sure reading is accurate. Boiler relief valve is set for 30 PSIG. Operating pressure of system, after temperature expansion above cold fill pressure, should not exceed 24 PSIG to avoid weeping of relief valve.

Install an **automatic air vent** on top of the air separator, per separator manufacturer's instructions.

### Closed-type expansion tank:

Figure 15, page 14 shows suggested piping when using a closed-type expansion tank, in which the air is directly in contact with tank water.

Connect piping ( $\frac{1}{2}$ " or  $\frac{3}{4}$ ") from the air separator top outlet to the tank fitting. Slope any horizontal piping a minimum of 1 inch per 5 feet of horizontal pipe.

Always use a **tank fitting**, such as the B&G *Tank-Trol* or Taco *Taco-Trol* (shown). The fitting reduces gravity flow of water in the piping to the tank, avoids air bubbling through the tank water, and provides the proper fill height in the tank.

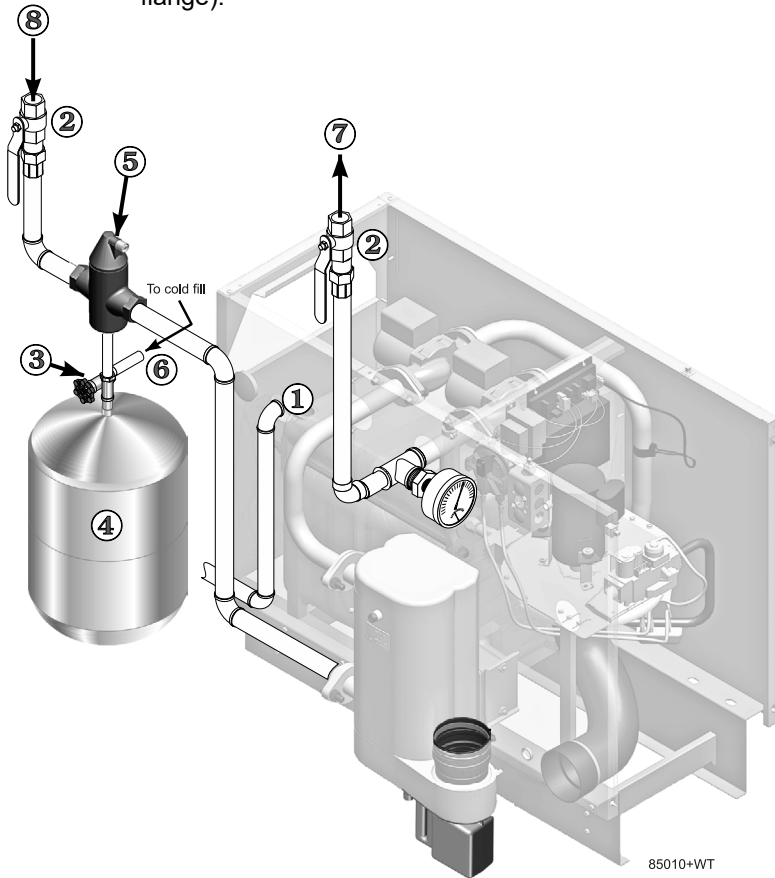
**⚠ CAUTION** **Correct all leaks** in the system or tank piping. Leaks allow air to escape from the system and will cause water-logging of the tank. This will result in water loss through the boiler relief valve due to over-pressurization.

**NEVER** use an automatic air vent in a system equipped with a closed-type expansion tank. The air removed from the system will cause water-logging of the expansion tank.

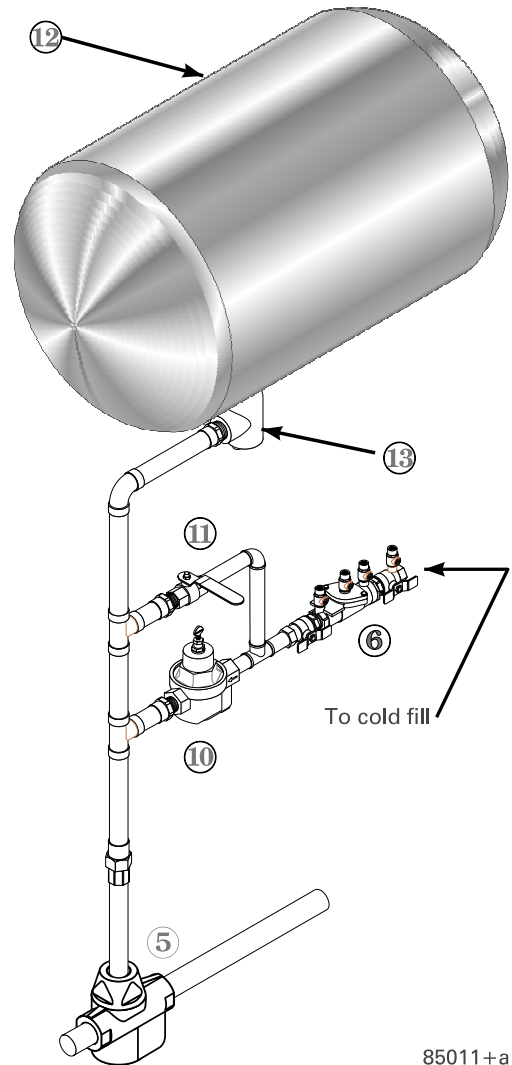
**NOTICE** **Closed-type expansion tank** — Follow tank manufacturer's instructions for **filling the tank**. Typical tank sizing provides for approximately 12 PSIG when the tank is filled to the normal level and system water is cold. Note that boiler relief valve is set for 30 PSIG. Operating pressure of system, after temperature expansion above cold fill pressure, should not exceed 24 PSIG to avoid weeping of relief valve.

# Install water piping *(continued)*

**Figure 14** Piping to single-zone system using diaphragm- or bladder-type expansion tank. Boiler connections are 1" NPT (supply from 1" tee, return to 1" recuperator flange).



**Figure 15** Piping closed-type expansion tank



**NOTICE** Pipe diaphragm- or bladder-type expansion tanks to the bottom of the separator.

**NOTICE** Pipe closed-type (air in contact with water) tanks to the top of the air separator. Always connect the fill line to the expansion tank location, as shown above and in the suggested piping.

### Legend

- |   |  |
|---|--|
| <p>1 Relief valve discharge piping — see <a href="#">page 12</a></p> <p>2 Isolation valves</p> <p>3 Fill valve</p> <p>4 Diaphragm-type expansion tank — always locate as shown in the suggested piping drawings in this manual</p> <p>5 Air separator</p> <ul style="list-style-type: none"> <li>• provide with automatic air vent ONLY when used with diaphragm-type expansion tanks</li> <li>• pipe air outlet to expansion tank when used with close-type tanks</li> </ul> | <p>6 Cold fill line, with backflow preventer or check valve when required by codes (see Figure 15 for typical components)</p> <p>7 System supply piping</p> <p>8 System return piping</p> <p>10 Pressure reducing valve, when used</p> <p>11 Quick-fill bypass valve, when used</p> <p>12 Closed-type expansion tank — always locate as shown in the suggested piping drawings in this manual</p> <p>13 Tank fitting</p> |
|---|--|



# Install water piping *(continued)*

## System water piping methods

**NOTICE** Most piping methods shown in this manual use primary/secondary connection to the boiler loop. These designs ensure proper flow through the GWC boiler, for the most efficient and reliable operation of the boiler and the heating system. For other piping methods, consult your local Williamson-Thermoflo representative.

## Circulators

**WARNING** Do not remove either of the GWC internal pumps for use elsewhere in the system. Both pumps are required for proper operation. Removing a pump will cause the boiler to malfunction. Substantial property damage could result.

**Never install another pump in series with the GWC boiler.** Forced flow can cause improper operation of the boiler controls. Substantial property damage could result.

Failure to comply could result in unreliable performance and nuisance shutdowns from insufficient flow.

## Circulator flow rate

Size system circulators based on the flow rate required to achieve the temperature change needed. You can closely estimate temperature rise (or drop) through a circuit by using the following formula, where TD is temperature rise (or drop), FLOW is flow rate (in gpm), and BTUH is the heat load for the circuit:

$$\text{FLOW} = \frac{\text{BTUH}}{\text{TD} \times 500}$$

### Examples:

Consider a system loop for a system with total heating load equal to 210,000 Btuh. The desired temperature drop through the system piping is 20°F. Then the required flow rate is:

$$\text{FLOW} = \frac{210,000}{20 \times 500} = 21 \text{ gpm}$$

**SIMPLIFIED:** For 20° temperature drop, FLOW = MBH / 10.

## Circulator head requirement

The circulator must be capable of delivering the required flow against the head loss that will occur in the piping. Determine the pipe size needed and the resultant head loss using accepted engineering methods. The simplified pipe sizing here is limited to residential systems, and does not include systems with fan coil units or radiant tubing.

**CAUTION** The following simplified method for pipe and circulator sizing must be limited to residential applications using baseboard (finned or cast iron), cast iron radiators or convectors. DO NOT apply for radiant heating, fan coil units or commercial installations.

## Simplified pipe/circulator selection

1. Install the boiler and piping using the recommended piping layouts in this manual.
2. Size the piping and components for each circuit in the space heating system using Figure 16. **At the flow rates listed, the head loss in all piping will be 0.04 feet per foot of pipe.**

- a. Determine the heating load (Btuh) for each circuit.
- b. Calculate the flow rate for each circuit using its load. To use a 20°F temperature drop, just divide the MBH (1,000's of Btuh) by 10.  
Example — Flow for 20°F temp drop with 35,000 Btuh:

$$\text{FLOW} = 35 \text{ MBH} / 10 = 3.5 \text{ gpm}$$

- c. Find the pipe size in Figure 16 that has a max flow rate just larger than that required for the circuit.
- d. Find the total equivalent length (TEL) of the circuit. TEL accounts for losses through fittings and valves by using the equivalent length of pipe that would cause the same head loss. Add these numbers to the measured length of the circuit to find TEL in feet.

*TEL is usually close to 1.5 times the length of the circuit for residential baseboard, radiator or convector applications.*

- e. Measure the length of each circuit from the circulator outlet back to its inlet. Then multiply this length times 1.5 to get the approximate TEL of the circuit.
- f. Find the head loss for each circuit:

$$\text{TEL} = 1.5 \times \text{Circuit Length (feet)}$$

$$\text{HEAD} = \text{TEL} \times 0.04 \text{ (feet water column)}$$

- g. NOTE: Size system header piping for the total flow of all connected zones.

### 3. Example:

- a. For a circuit with heating load = 45,000 Btuh (= 45 MBH). Measured length of circuit is 88 feet.
- b. Flow = 45 MBH / 10 = 4.5 gpm.
- c. TEL = 1.5 x 88 feet = 132 feet.
- d. From Figure 16, select 1" pipe (max flow = 8 gpm).
- e. Head loss = TEL x 0.04 = 132 x 0.04 = 5.28 feet.
- f. Select a circulator that can deliver at least 4.5 gpm at a head of 5.28 feet. (Read the NOTICE below.)

**NOTICE** To use this method, limit the flow through ¾" finned-tube baseboard to 3.9 gpm, or use 1" baseboard and limit flow to 7.1 gpm. If the total load of the circuit requires more flow, split the circuit into two or more.

**Figure 16** Flow rates for **0.04 feet head loss per foot** of copper pipe **(based on water at 140°F)**

Pipe size (inches)	MAX Flow rate (GPM) @ 0.04 feet per foot	Pipe size (inches)	MAX Flow rate (GPM) @ 0.04 feet per foot
¾	4	2	45
1	8	2½	75
1¼	14	3	140
1½	22	4	290

# Install water piping *(continued)*

## Baseboard system piping — CIRCULATOR zoning (primary/secondary)

Apply Figure 17 for circulator zoning on systems using baseboard heaters. The heaters can be any baseboard style, including finned tube or cast iron.

**NOTICE** **Zoning with circulators** — The GWC internal system circulator cannot be removed from the boiler for use as one of the zone circulators. It must remain as shipped from the factory to allow proper flow control inside the boiler. You will need a circulator for each zone. Provide circulator relays or circulator zone controller.

## Baseboard system piping — ZONE VALVE zoning (direct connection)

The boiler internal circulator can be used to circulate many zone-valve zoned systems as shown in Figure 18, page 17 for application on systems using baseboard (finned tube or cast iron).

- **DO NOT apply this piping when using a GWC-175 — the internal circulator cannot supply enough flow to the system.**
- **When applying Figure 18, page 17, DO NOT exceed the limits shown in Figure 19, page 17.**
- **For systems requiring higher flow or head loss, apply the suggested piping of Figure 20, page 18, NOT that of Figure 18, page 17.**

**NOTICE** **Balancing, when required** — Substitute a memory-stop valve for one of the isolation valves in each zone to use the memory-stop valve for balancing flow as well as isolation.

**NOTICE** **Zoning with zone valves** — Provide a separate 24-volt transformer to power the zone valves. Size the transformer to handle the total rated load of all connected zone valves. Alternatively, use a zone valve zone controller.

**NOTICE** **Do not use R & C connections for zone valve.**

**CAUTION** **DO NOT connect directly from 3-wire zone valves to the T-T terminals on the boiler.** When using 3-wire zone valves, install an isolation relay. Connect the zone valve end switch wires to the isolation relay coil. Connect the isolation relay contact across the boiler T-T terminals. Failure to comply can result in damage to boiler components or cause unreliable operation, resulting in severe property damage.

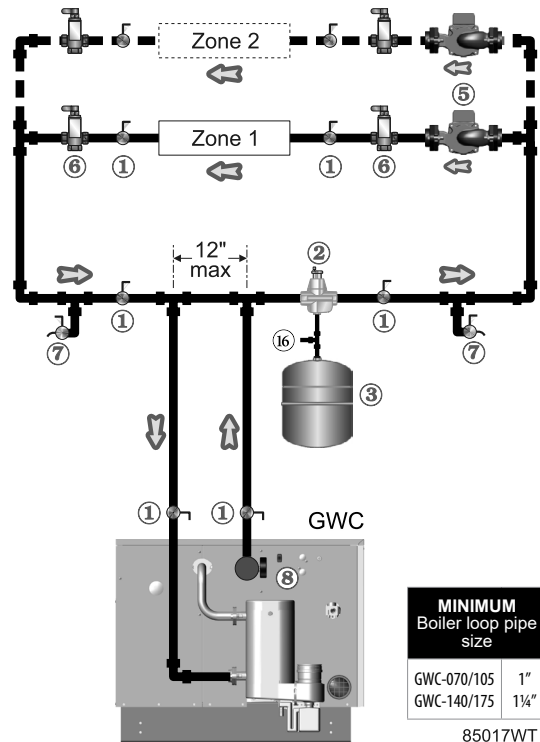
### Applying Figure 18, page 17

1. Figure 18, page 17 and Figure 19, page 17 provide guidelines for checking whether the GWC internal circulator can provide sufficient flow when directly connected to a two-pipe baseboard system.

**NOTICE** The outputs of GWC boilers are all too high for connection to a single-loop series-loop system. To apply to an existing series loop system, the system must be fitted with trunk lines to convert to a split-loop system. Provide either one or two trunk lines to meet the minimum number of circuits and maximum loading per circuit given in Figure 19, page 17.

2. The system pipe sizing must be no smaller than shown in the Legend for Figure 18, page 17.
3. Values shown for maximum circuit lengths, maximum load per circuit and the maximum feet baseboard per circuit are limits that ensure the internal circulator will have sufficient head to provide the flow needed for each circuit.

Figure 17 Baseboard system — circulator zoning



MINIMUM Boiler loop pipe size	
GWC-070/105	1"
GWC-140/175	1¼"

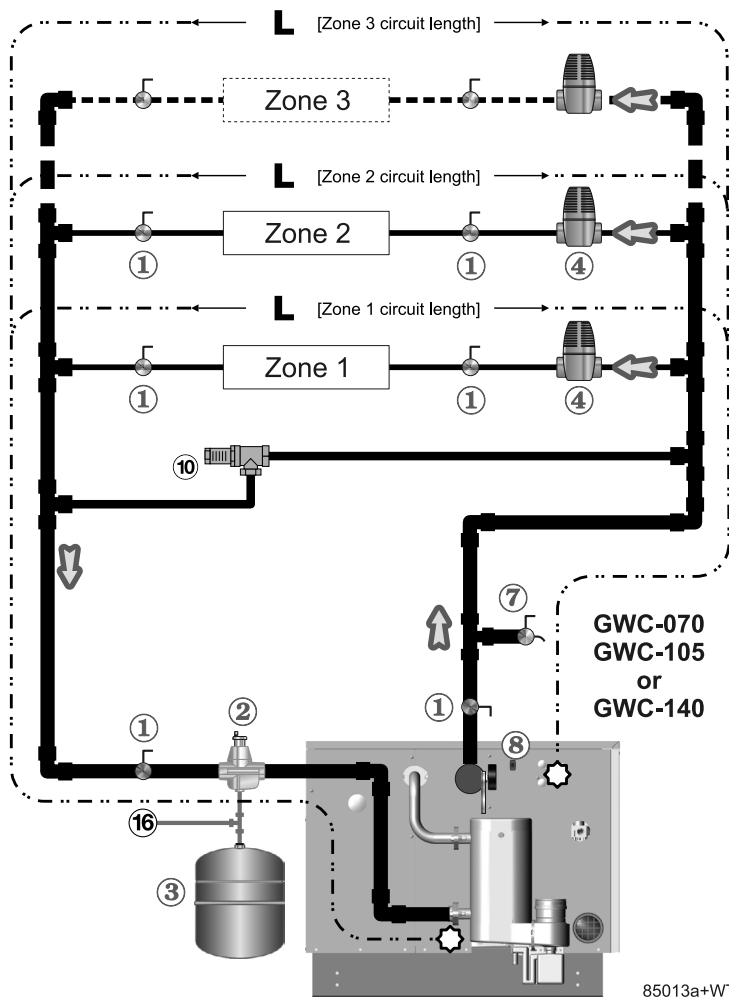
85017WT

### Legend

<ol style="list-style-type: none"> <li>1 Isolation valves</li> <li>2 Automatic air vent (with diaphragm-type expansion tank), or connect to tank fitting (closed-type expansion tank).</li> <li>3 Diaphragm- or bladder-type expansion tank, if used. (For closed-type expansion tank, pipe from top of air separa-</li> </ol>	<p>tor to tank fitting as in Figure 15, page 14.)</p> <ol style="list-style-type: none"> <li>5 Zone circulator</li> <li>6 Flow/check valve</li> <li>7 Hose bibb purge valve</li> <li>8 Boiler pressure/temperature gauge</li> <li>16 Cold water fill line — see Figure 15, page 14 for typical components</li> </ol>
--	--

# Install water piping *(continued)*

**Figure 18** Zone valve zoning — GWC-070, GWC-105 or GWC-140 (DO NOT apply to GWC-175)



### Legend

- |  |   |
|--|---|
| 1 Isolation valves   | 4 Zone valve  |
| 2 Automatic air vent (with diaphragm-type expansion tank), or connect to tank fitting (closed-type expansion tank).  | 7 Hose bibb purge valve   |
| 3 Diaphragm- or bladder-type expansion tank, if used. (For closed-type expansion tank, pipe from top of air separator to tank fitting as in Figure 15, page 14.) | 8 Boiler pressure/temperature gauge                                     |
|  | 10 Differential pressure bypass valve                                   |
|  | 16 Cold water fill line — see Figure 15, page 14 for typical components |

### Pipe sizes (NPT), minimum

Boiler model	Mains	Circuits
GWC-070 GWC-105	1"	¾"
GWC-140	1½"	¾"

### Circuit requirements

See Figure 19

**NOTICE**

**One-pipe diverter tees systems** — The application information on this page is based on two-pipe baseboard systems. To check whether the internal circulator can provide sufficient flow to a one-pipe diverter tee system, use the available head value given in Figure 19.

**Figure 19** The system must meet the following requirements when applying Figure 18

Boiler model	Circulator HEAD available to the system	Maximum circuit length <b>L</b>	Minimum number of circuits	Max load of any circuit	Max feet baseboard of any circuit (@ 600 Btuh/foot)	Summary
GWC-070	6.4 feet w.c. @ 6.5 GPM	103 feet	2	40 MBH	67 feet	6.5 GPM total (max 4 GPM any circuit) 20°F temperature drop
GWC-105	4.1 feet w.c. @ 9.7 GPM	92 feet	3	33 MBH	55 feet	9.7 GPM total (max 3.3 GPM any circuit) 20°F temperature drop
GWC-140 *	5.5 feet w.c. @ 8.7 GPM	112 feet	3	53 MBH	88 feet	8.7 GPM (max 3.5 GPM any circuit) 30°F temperature drop

**DO NOT apply to GWC-175 — Use primary/secondary piping ONLY, as in Figure 20, page 18.**

\* This application may be marginal. It could cause temperature distribution problems, because the temperature drop is 30°F, NOT 20°F. The best method is to use primary/secondary piping for the GWC-140 as in Figure 20, page 18.

# Install water piping *(continued)*

## Radiator system piping

Apply Figure 20 (zone-valve zoning) or Figure 21 (circulator zoning) to systems using standing cast iron radiators. This applies to gravity water systems and converted steam systems using columnar, tubular or recessed cast iron radiators.

The suggested piping for zone-valve zoning radiator systems differs from baseboard systems because of the high water content of cast iron radiators. The GWC internal circulators automatically regulate supply and internal bypass flow based on the temperature of the water returning to the boiler. At the start of many heating cycles in a radiator system, the water in the radiators is cool. So the boiler would slow down system flow rate while sending out relatively hot water. This could cause heat distribution problems. Install a separate system circulator as shown in Figure 20 when zoning with zone valves. The separate circulator assures a relatively constant temperature drop through the system.

The boiler internal circulators must be left in the boiler. They cannot be removed for use as a zoning circulator. Provide a circulator for each zone when circulator zoning, and pipe the system as in Figure 21.

**NOTICE** **Balancing, when required** — Substitute a memory-stop valve for one of the isolation valves in each zone to use the memory-stop valve for balancing flow as well as isolation.

**NOTICE** **Zoning with zone valves** — Provide a separate 24-volt transformer to power the zone valves. Size the transformer to handle the total rated load of all connected zone valves. Alternatively, use a zone valve zone controller.

**NOTICE** **Do not use R & C connections for zone valve.**

**NOTICE** **Zoning with circulators** — The GWC internal system circulator cannot be removed from the boiler for use as one of the zone circulators. It must remain as shipped from the factory to allow proper flow control inside the boiler. You will need a circulator for each zone. Provide circulator relays or circulator zone controller.

**NOTICE** **The system circulator must be supplied by the installer.**

Figure 20 Radiator system — zone-valve zoning

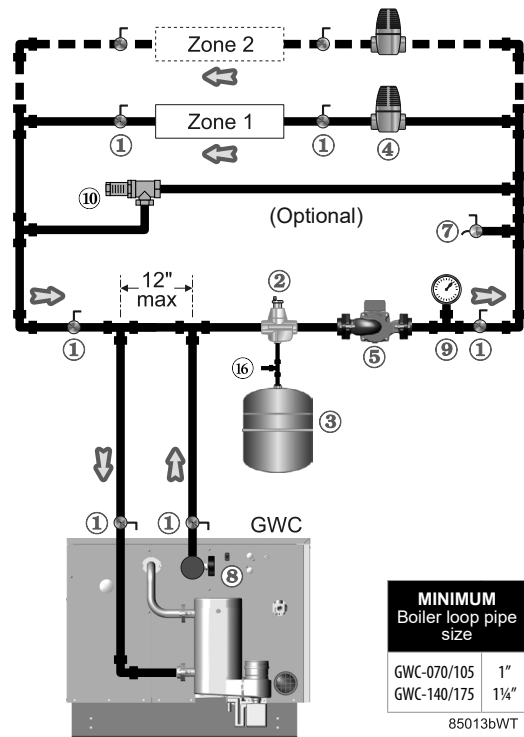
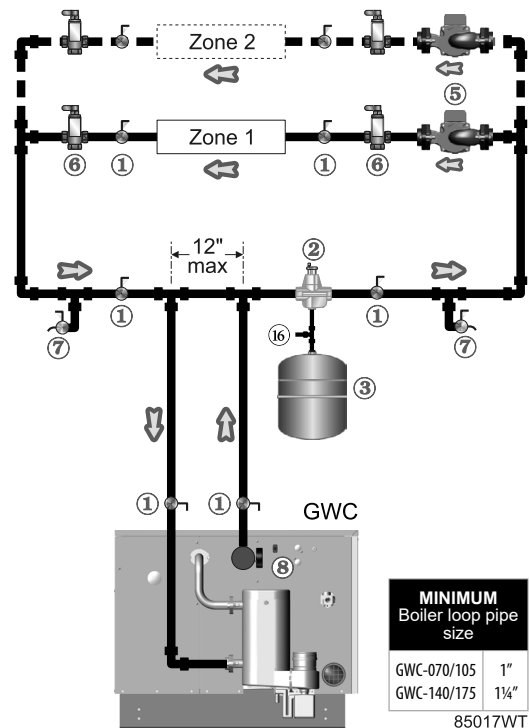


Figure 21 Radiator system — circulator zoning



### Legend

- 1 Isolation valves
- 2 Automatic air vent (with diaphragm-type expansion tank), or connect to tank fitting (closed-type expansion tank).
- 3 Diaphragm- or bladder-type expansion tank, if used. (For closed-type expansion tank, pipe from top of air separator to tank fitting as in Figure 15, page 14.)
- 4 Zone valve
- 5 System or zone circulator
- 6 Flow/check valve
- 7 Hose bibb purge valve
- 8 Boiler pressure/temperature gauge
- 9 System supply temperature gauge
- 10 Differential pressure by-pass valve
- 16 Cold water fill line — see Figure 15, page 14 for typical components



# Install water piping *(continued)*

## Single-zone radiant heating or heat pump

Radiant heating systems and heat pump systems usually require system supply water temperatures below 140°F. But the boiler outlet water temperature will be at least 150°F to 160°F during most operating conditions. So the piping must include a method of reducing the supply water temperature to the system.

Figure 22 uses two balancing valves to manually adjust the supply water temperature. Follow the instructions below to adjust these valves. Install the supply temperature limit control (item 14) as shown to protect the system from over-temperature conditions. Note also that this piping requires a separate system circulator, as shown, because of the higher flow rates of radiant and heat pump systems.

Manual adjustment of the supply temperature is limited to single-zone systems because multi-zone systems will cause varying loads, making it unlikely an acceptable valve setting could be found. See [Figure 23, page 20](#) or [Figure 24, page 20](#) for multi-zone systems.

You may also apply the suggested piping of either [Figure 23, page 20](#) or [Figure 24, page 20](#) if you want automatic supply temperature regulation or outdoor reset temperature control.

For additional information and alternatives in piping for radiant heating systems, contact Williamson-Thermoflo.

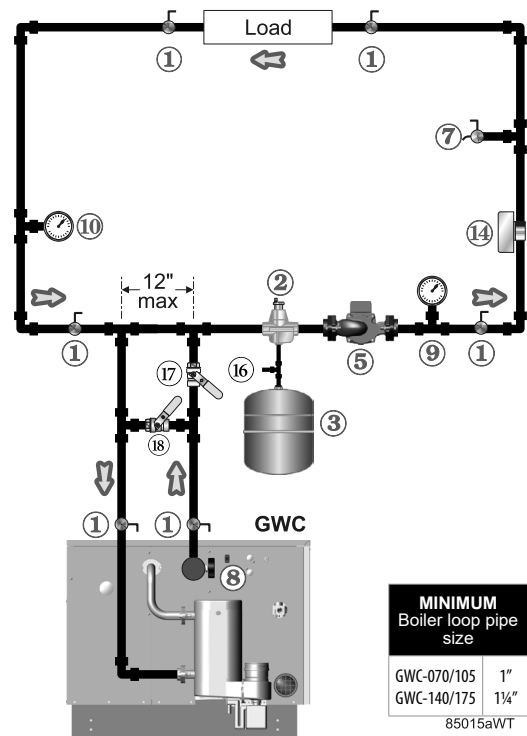
**NOTICE** The system circulator must be supplied by the installer.

## Adjust balancing valves

Use valves 17 and 18 to mix boiler supply water with system return water, reducing supply water temperature to the system.

1. Subtract the design system supply temperature from 150°F. Call this number the **temperature difference**.
2. Open valve 17 and close valve 18.
3. Start the boiler and system.
4. Let the system warm up for about 15 minutes.
5. Note the temperature at gauge 9 (system supply) and gauge 8 (boiler supply).
6. Slowly close valve 17 while opening valve 18 until gauge 9 reads **lower** than gauge 8 by at least the **temperature difference** found in step 1.
7. Example: For a design supply temperature of 100°F, the **temperature difference** would be 150°F minus 100°F, or 50°F. Set the valves until gauge 9 reads at least 50°F lower than gauge 8.

**Figure 22** Single-zone radiant heating or heat pump system



Legend	
1	Isolation valves
2	Automatic air vent (with diaphragm-type expansion tank), or connect to tank fitting (closed-type expansion tank).
3	Diaphragm- or bladder-type expansion tank, if used (For closed-type expansion tank, pipe from top of air separator to tank fitting as in <a href="#">Figure 15, page 14.</a> )
5	System circulator
7	Hose bibb purge valve
8	Boiler pressure/temperature gauge
9	System supply temperature gauge
10	Return temperature gauge
14	Supply temperature limit control — Set at a temperature below the maximum allowed for the system or as directed by the system designer.
16	Cold water fill line — see <a href="#">Figure 15, page 14</a> for typical components
17	Balancing valve
18	Balancing valve

# Install water piping *(continued)*

## Multi-zone radiant heating system

Multi-zone systems require automatic regulation of the system supply temperature because of widely varying load conditions. Figure 23 (zone-valve zoning) and Figure 24 (circulator zoning) show suggested piping for these systems.

**WARNING** Provide an automatic temperature control valve or motor-operated valve which can be adjusted for the desired supply water temperature. This is required to protect the radiant system from excessive temperature.

**Zone-valve zoning** — The suggested piping uses a separate circulator for system circulation to provide the higher flow typical of radiant heating systems and to assure good temperature distribution in the system when the return water temperature is low.

**Circulator zoning** — The GWC internal circulators must not be removed. Provide a separate circulator for each zone.

**NOTICE** **Balancing, when required** — Substitute a memory-stop valve for one of the isolation valves in each zone to use the memory-stop valve for balancing flow as well as isolation.

**NOTICE** **Zoning with zone valves** — Provide a separate 24-volt transformer to power the zone valves. Size the transformer to handle the total rated load of all connected zone valves. Alternatively, use a zone valve zone controller.

**NOTICE** **Do not use R & C connections for zone valve.**

**NOTICE** **Zoning with circulators** — The GWC internal system circulator cannot be removed from the boiler for use as one of the zone circulators. It must remain as shipped from the factory to allow proper flow control inside the boiler. You will need a circulator for each zone. Provide circulator relays or circulator zone controller. **The system circulator must be supplied by the installer.**

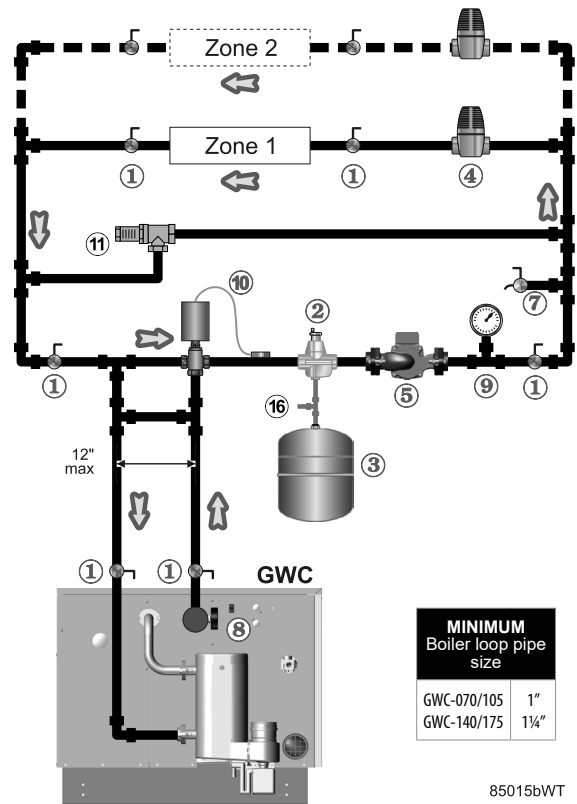
### Outdoor reset

Apply Figure 23 or Figure 24 for any system intended for outdoor reset of the supply water temperature. Use a motor-operated three-way valve and an outdoor reset temperature control system.

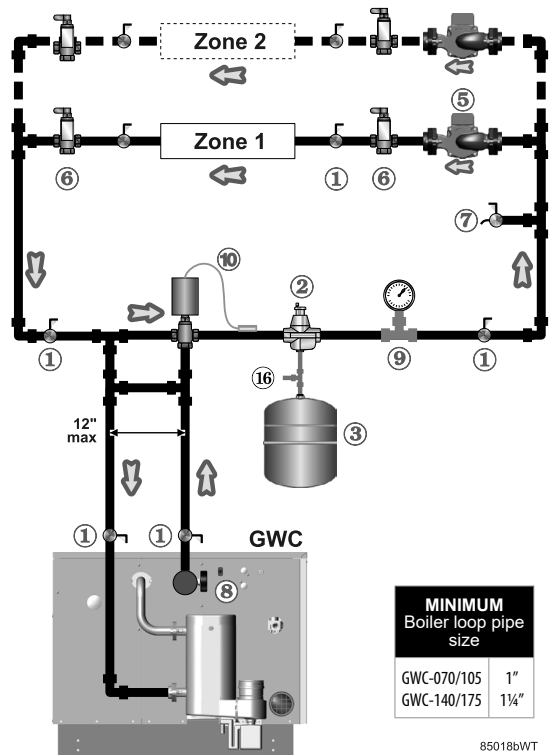
**Legend**

- 1 Isolation valves
- 2 Automatic air vent (with diaphragm-type expansion tank), or connect to tank fitting (closed-type expansion tank).
- 3 Diaphragm- or bladder-type expansion tank, if used (For closed-type expansion tank, pipe from top of air separator to tank fitting as in Figure 15, page 14.)
- 4 Zone valve
- 5 System or zone circulator
- 6 Flow/check valve
- 7 Hose bibb purge valve
- 8 Boiler pressure/temperature gauge
- 9 System supply temperature gauge
- 10 Supply temperature automatic mixing valve
- 11 Differential pressure by-pass valve
- 16 Cold water fill line — see Figure 15, page 14 for typical components

**Figure 23** Auto system supply temp regulation — zone valve zoning



**Figure 24** Auto system supply temp regulation — circulator zoning



# Install water piping *(continued)*

## Piping snow melt systems or combination snow melt/space heating systems

Combination snow melt/space heating systems can have return water temperature below 60°F, and the return temperature will fluctuate. So these systems require automatic return water temperature as shown in Figure 25 (zone-valve zoning) or Figure 26 (circulator zoning).

Select an automatic temperature control valve or motor-operated valve which can be adjusted to provide a return water temperature of at least 60°F. Any setting higher than 60°F will also be acceptable.

**Zone-valve zoning** — The suggested piping uses a separate circulator for system circulation to assure good temperature distribution in the system when the return water temperature is low.

**Circulator zoning** — The GWC internal circulators must not be removed. Provide a separate circulator for each zone.

**WARNING** The return water temperature to the boiler must be at least 60°F. Provide and apply means to regulate the return temperature. Failure to do so can result in boiler control operation problems, causing possible significant property damage.

**NOTICE** **Zoning with zone valves** — Each zone in the piping diagrams in this section is shown with an isolation valve on each side. Substitute a memory-stop valve for one of these in each zone in order to use the memory-stop valve for balancing flow as well as isolation.

Provide a separate 24-volt transformer to power the zone valves. Size the transformer to handle the total rated load of all connected zone valves.

**NOTICE** **Do not use R & C connections for zone valve.**

**NOTICE** **Zoning with circulators** — The GWC internal system circulator cannot be removed from the boiler for use as one of the zone circulators. It must remain as shipped from the factory to allow proper flow control inside the boiler. You will need a circulator for each zone. Provide circulator relays or circulator zone controller. **The system circulator must be supplied by the installer.**

### Legend

- 1 Isolation valves
- 2 Automatic air vent (with diaphragm-type expansion tank), or connect to tank fitting (closed-type expansion tank).
- 3 Diaphragm- or bladder-type expansion tank, if used (For closed-type expansion tank, pipe from top of air separator to tank fitting as in Figure 15, page 14.)
- 4 Zone valve
- 5 System or zone circulator
- 6 Flow/check valve
- 7 Hose bibb purge valve
- 8 Boiler pressure/temperature gauge
- 9 System supply temperature gauge
- 10 Return temperature automatic mixing valve
- 11 Differential pressure by-pass valve
- 16 Cold water fill line — see Figure 15, page 14 for typical components

Figure 25 Auto return temp regulation — circulator zoning

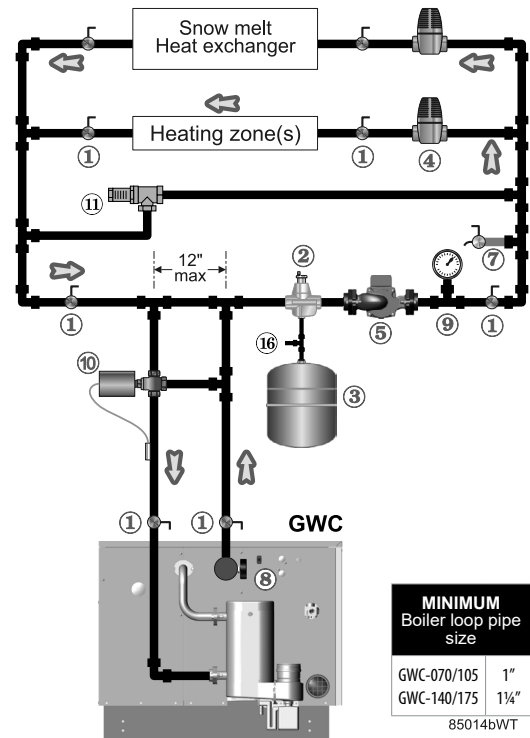
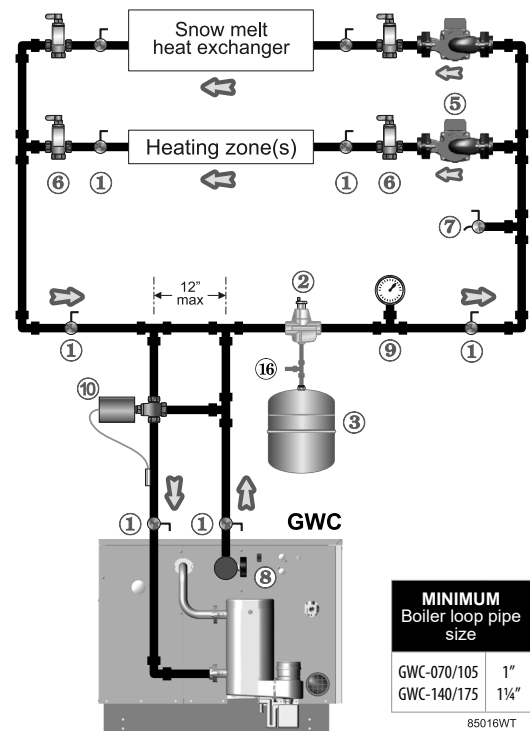


Figure 26 Auto return temp regulation — zone valve zoning



# Install water piping *(continued)*

## Water chiller systems

Pipe the boiler and water chiller as shown in Figure 27.

Install boiler, as shown, so chilled medium is piped in parallel with heating boiler.

Use appropriate valves to prevent chilled medium from entering boiler. See Figure 27 for typical installation of balancing valve and check valve.

Install the flow/check valve in the boiler supply piping, as shown in Figure 27, to prevent gravity circulation during the cooling cycle.

If boiler is connected to heating coils located in air handling units where they can be exposed to refrigerated air, use flow control valves or other automatic means to prevent gravity circulation during cooling cycle.

**NOTICE** **Balancing, when required** — Substitute a memory-stop valve for one of the isolation valves in each zone to use the memory-stop valve for balancing flow as well as isolation.

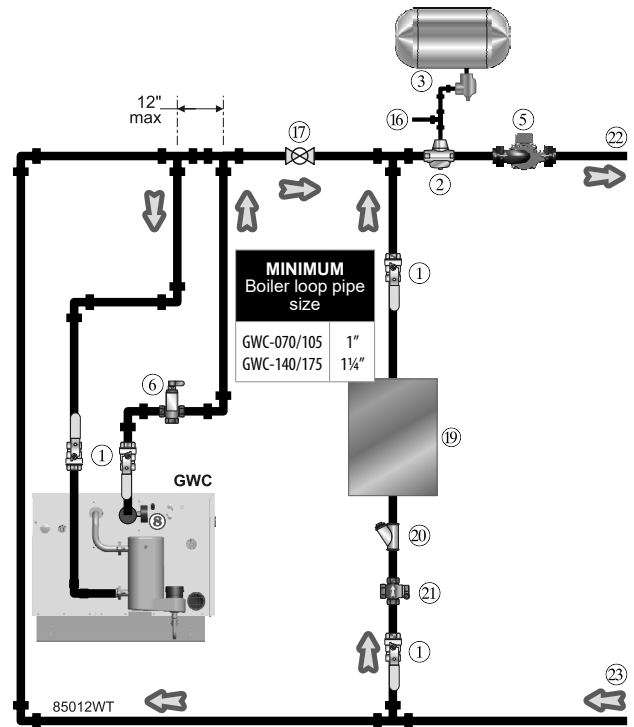
**NOTICE** **Zoning with zone valves** — Provide a separate 24-volt transformer to power the zone valves. Size the transformer to handle the total rated load of all connected zone valves. Alternatively, use a zone valve zone controller.

**NOTICE** **Do not use R & C connections for zone valve.**

**NOTICE** **Zoning with circulators** — The GWC internal system circulator cannot be removed from the boiler for use as one of the zone circulators. It must remain as shipped from the factory to allow proper flow control inside the boiler. You will need a circulator for each zone. Provide circulator relays or circulator zone controller.

**WARNING** Chilled water systems often use closed-type expansion tanks, as shown in Figure 27. **DO NOT** install automatic air vents on these systems.

**Figure 27** Installing GWC boiler in system with water chiller



### Legend

- 1 Isolation valves
- 2 Air separator
- 3 Expansion tank with tank fitting (piping shown for application of a closed-type expansion tank)
- 5 System circulator
- 6 Flow/check valve
- 8 Boiler pressure/temperature gauge
- 16 Cold water fill line — see Figure 15, page 14 for typical components
- 17 Balancing valve
- 19 Chiller
- 20 Strainer
- 21 Check valve
- 22 System supply
- 23 System return

# Multiple boiler installations

## Placing multiple boilers

1. Locate multiple boilers in boiler room according to:
  - a. Figure 28 (side-to-side), or
  - b. Figure 29 (back-to-back).
2. Provide the clearances indicated in the illustrations listed above to provide for access and servicing. If these recommended dimensions are not possible, provide at least the recommended service clearances given on [page 6](#). Also follow local codes.
3. Construct boiler foundation if boiler room floor is uneven or if there is a danger of flooding. Size foundation to allow for clearance and spacing dimensions shown in the illustrations at right.
4. Chalk line boiler locations on foundation or boiler room floor.
5. Uncrate, assemble and mount boilers according to instructions in this manual.
6. Provide clearance for installation of venting, air piping, gas piping, expansion tank, primary circulator and other accessories.

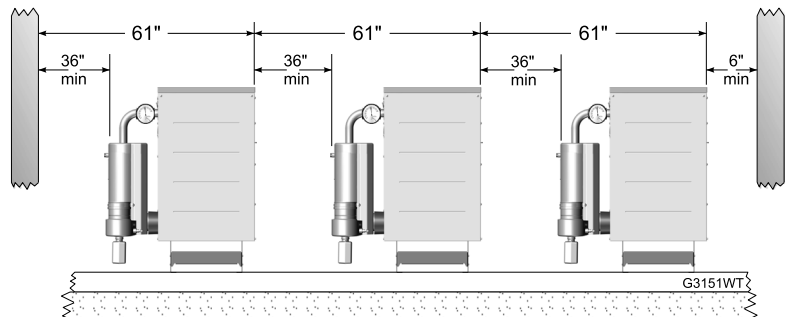
## Controlling multiple GWC boilers

1. Multiple GWC boilers can be controlled using any boiler control/sequencing system that provides an isolated contact for call for heat (connected to the boiler's T-T terminals).

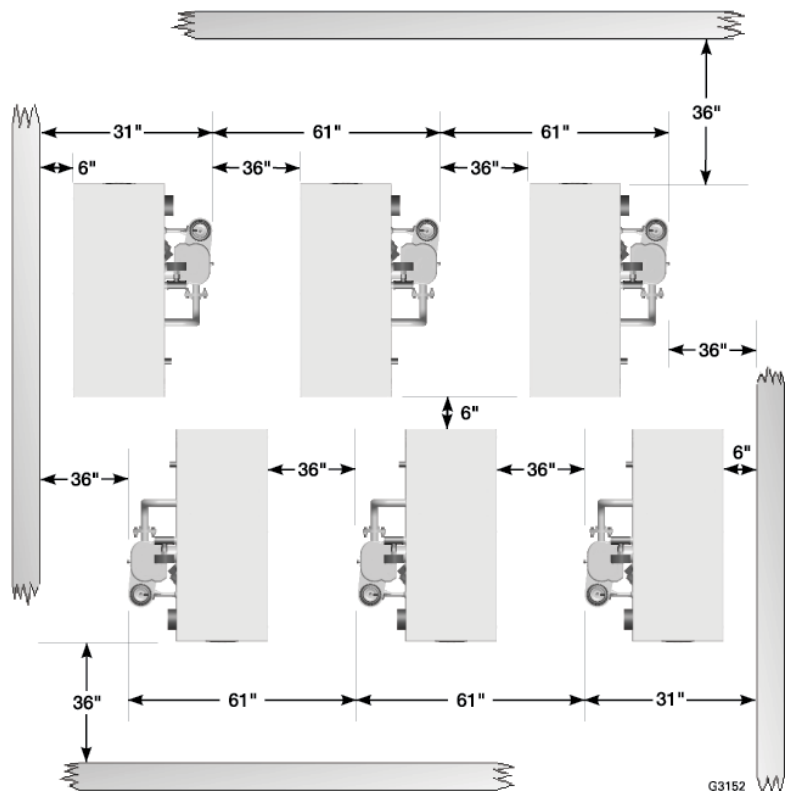
## Piping multiple GWC boilers

1. See suggested piping diagrams in this manual. Contact Williamson-Thermoflo for assistance for systems not covered.
2. Always pipe the boilers on a secondary loop in a primary/secondary circuit as shown in the examples in this manual.

**Figure 28** Side-to-side mounting of multiple GWC boilers, showing RECOMMENDED clearances



**Figure 29** Back-to-back installation of multiple GWC boilers, showing RECOMMENDED clearances



# Multiple boiler water piping

## Secondary header piping installation

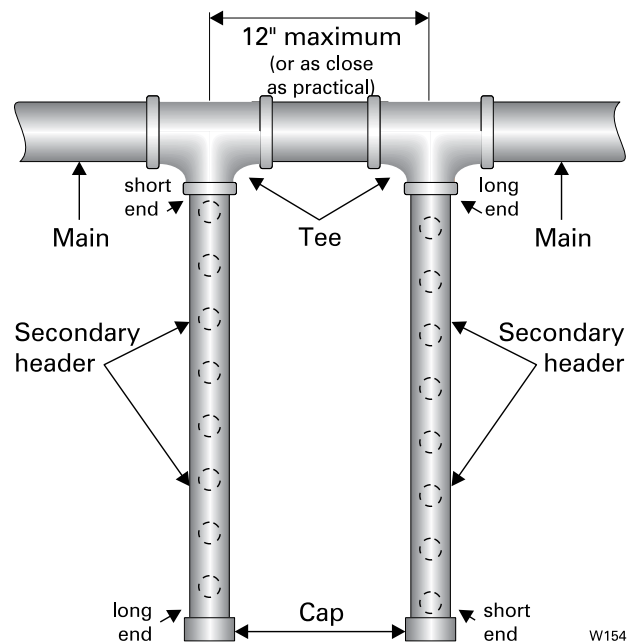
1. Main header and secondary header pipe sizing.
  - a. New system — See [page 15](#).
  - b. Replacing boilers in an existing system — Without reducing size, connect system supply and return lines. Install tees or crosses for secondary headers as shown in Figure 30 or Figure 31. Size headers to handle total connected boiler output as shown.
2. Provide connections in main header for secondary headers as close as possible to the midpoint of multiple boilers.
  - a. Use tees for four or less boilers, as in Figure 30.
  - b. Use either tees (Figure 30) or crosses (Figure 31) for five or more boilers.
3. Secondary header placement:
  - a. To alternate spacing for supply and return lines to boilers, reverse the short-end and long-end of the headers as shown in Figure 30 and Figure 31.
  - b. Return header must be on the return side of the main and supply header must be on the supply side of the main. Drawings in this manual show flow in system main from right to left. For system flowing left to right, reverse the locations of the manifolds accordingly.
4. Connect from secondary header branches to boiler supply and return connections using copper or steel pipe, sized for the required flow rate.
5. Provide a flow/check valve in the supply piping of each boiler as shown in piping diagrams in this manual. Install an isolation valve on the supply and return of each boiler as shown. Some local codes may require the use of individual water level controls and limits on each boiler when isolation valves are installed.
6. Install main system air eliminator and primary circulator in supply piping as shown in piping diagrams. Place expansion tank on suction side of system circulator as shown.
7. Install system accessories as shown in drawings.
8. Piping recommendation drawings:
  - a. Figure 30 and Figure 31 show details of secondary headers.
  - b. [Figure 32, page 25](#) is a schematic piping drawing showing the locations of typical boiler piping and system piping, including limits and other devices often required by local codes.
  - c. [Figure 33, page 26](#) and [Figure 34, page 27](#) are three-dimensional piping drawings of typical multiple boiler installation.
  - d. [Figure 35, page 28](#) shows recommended piping when an isolating heat exchanger is needed.
9. If desired, other primary/secondary piping arrangements can be used.

**NOTICE**

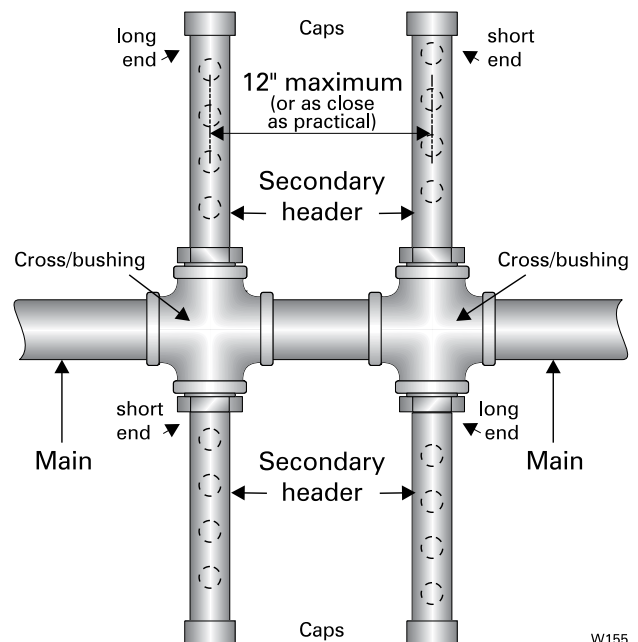
When using isolation valves on each boiler, some codes may require providing a low water control and additional limit for each boiler. Consult local codes to determine if omission of the individual boiler isolation valves may allow the use of a single water level control and additional limit for the entire multiple boiler system.

**Maximum connected load per header:**  
 2-inch header — 450 MBH  
 3-inch header — 1400 MBH  
 4-inch header — 2900 MBH

**Figure 30** Single-sided secondary header, typical



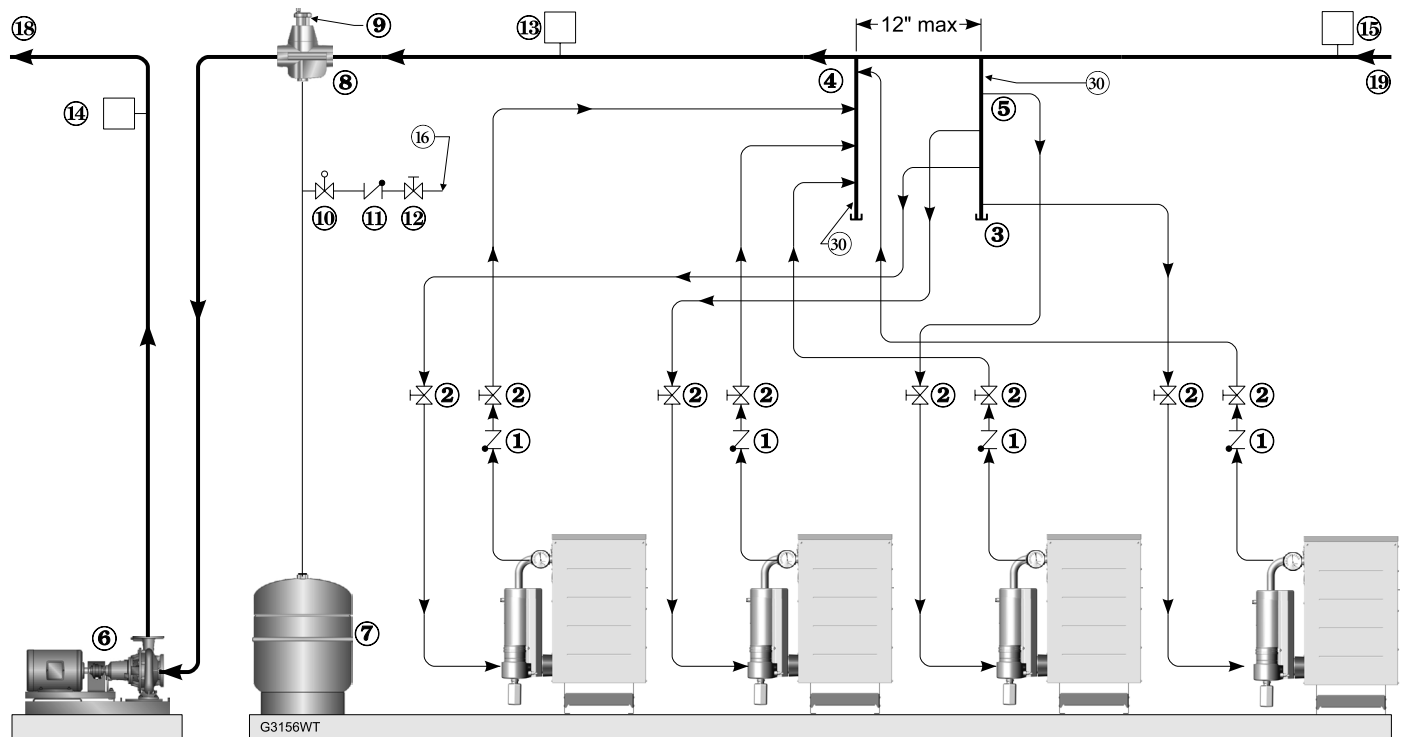
**Figure 31** Double-sided secondary header, typical





# Multiple boiler water piping *(continued)*

**Figure 32** Piping schematic — typical for multiple GWC boilers, using secondary headers

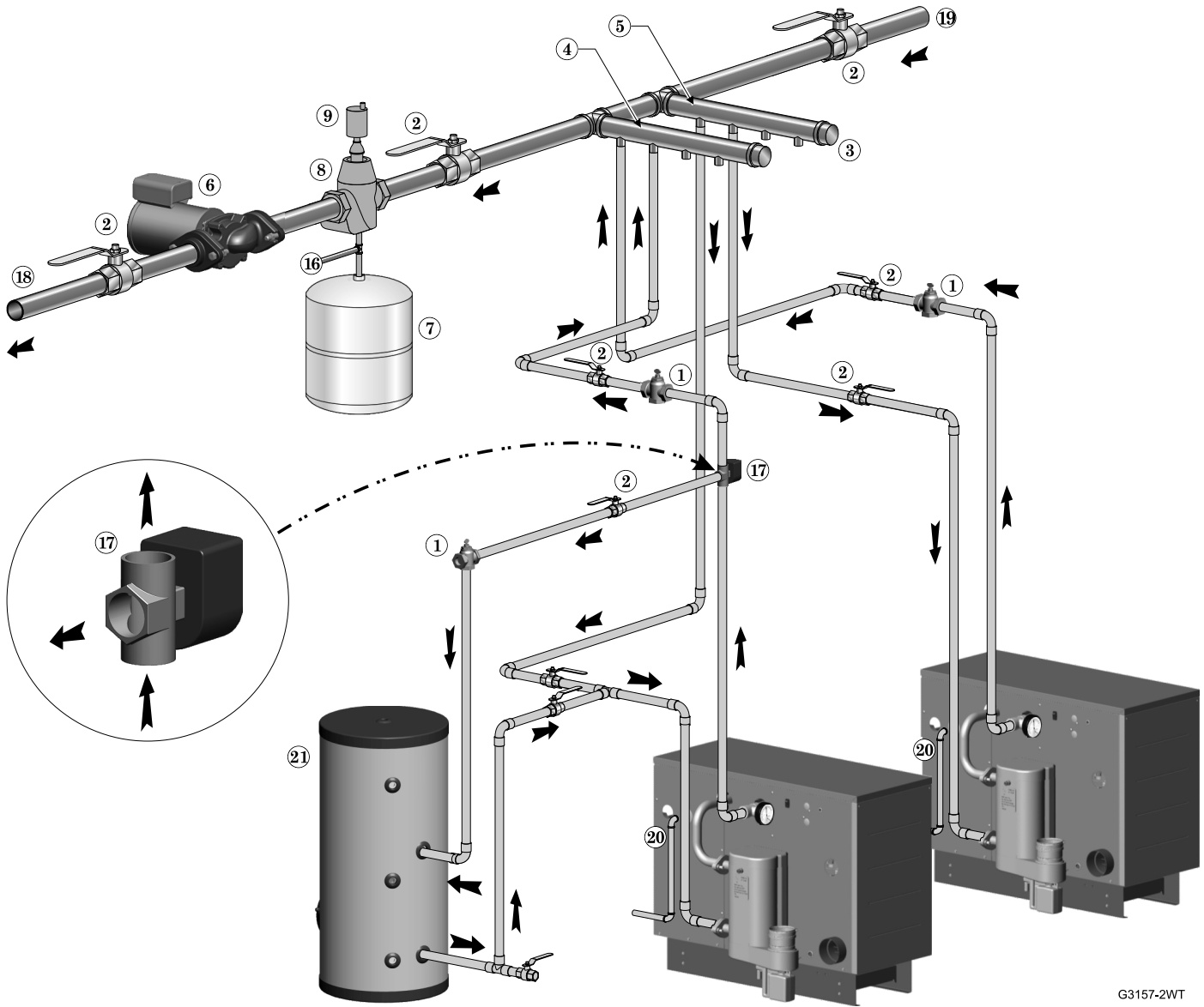


### Legend — Figure 32

- |   |  |
|---|--|
| 1 Flow/check valve (each boiler)                          | 11 Check valve or backflow preventer, as required by applicable codes                    |
| 2 Isolation valves (when used)                            | 12 Isolation valve   |
| 3 Cap   | 13 Water flow switch (when used)   |
| 4 Secondary header (supply) — layout and size per page 24 | 14 Supply water temperature control (when used)  |
| 5 Secondary header (return) — layout and size per page 24 | 15 Low water cutoff (when used) (place above primary header)                             |
| 6 Primary circulator                                      | 16 Cold water fill line — see Figure 15, page 14 for typical components                  |
| 7 Expansion tank (diaphragm type)                         | 18 System supply   |
| 8 System air eliminator                                   | 19 System return   |
| 9 System automatic air vent                               | 20 (Not shown) Boiler relief valve and discharge piping, installed per GWC Boiler Manual |
| 10 Pressure reducing valve                                | 30 Long end of secondary header  |

# Multiple boiler water piping *(continued)*

**Figure 33** Piping layout — typical for multiple GWC boilers, using secondary headers (2-boiler system)



G3157-2WT

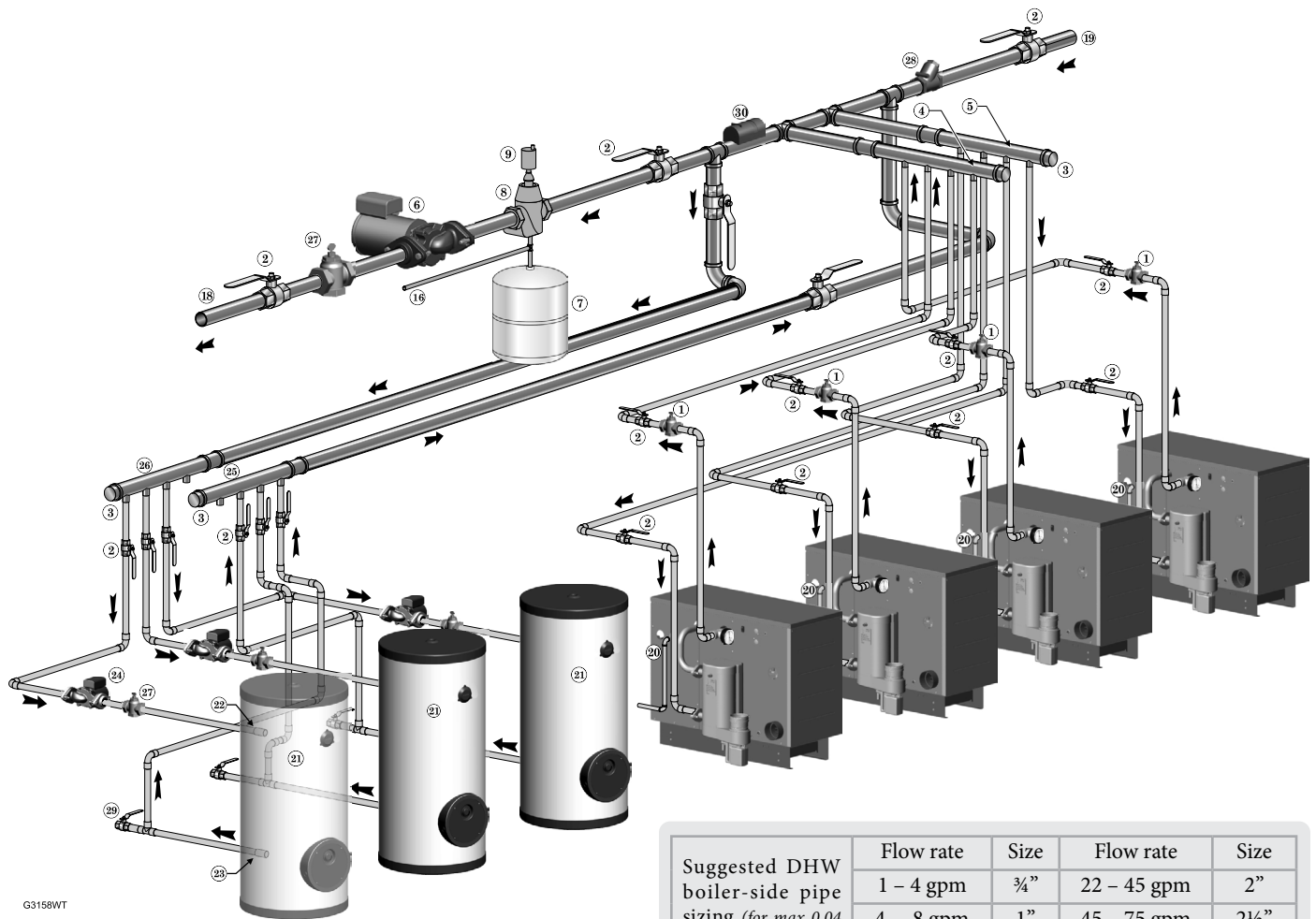
**Legend — Figure 33**

- |  |  |
|--|--|
| <ul style="list-style-type: none"> <li>1 Flow/check valve (each boiler)</li> <li>2 Isolation valves (when used)</li> <li>3 Caps</li> <li>4 Secondary header (supply) — layout and size per <a href="#">page 24</a></li> <li>5 Secondary header (return) — layout and size per <a href="#">page 24</a></li> <li>6 Primary circulator</li> <li>7 Expansion tank (diaphragm type)</li> <li>8 System air eliminator</li> <li>9 System automatic air vent</li> <li>16 Cold water fill line — see <a href="#">Figure 32, page 25</a> for typical components</li> </ul> | <ul style="list-style-type: none"> <li>17 3-way diverting valve (operated by DHW aquastat — valve end switch connects across boiler thermostat terminals)</li> <li>18 System supply</li> <li>19 System return</li> <li>20 Boiler relief valve and discharge piping, installed per GWC Boiler Manual</li> <li>21 Indirect-fired storage water heaters — Example is shown connected to one boiler of the system. The indirect water heater could also be connected with a secondary connection off the main header, as in <a href="#">Figure 34, page 27</a>.</li> </ul> |
|--|--|



# Multiple boiler water piping *(continued)*

**Figure 34** Piping layout — typical for multiple GWC boilers, with DHW storage heaters (4-boiler system)



G3158WT

Suggested DHW boiler-side pipe sizing (for max 0.04 feet head loss per foot of total equivalent length, TEL)	Flow rate	Size	Flow rate	Size
	1 – 4 gpm	¾"	22 – 45 gpm	2"
	4 – 8 gpm	1"	45 – 75 gpm	2½"
	8 – 14 gpm	1¼"	75 – 140 gpm	3"
	14 – 22 gpm	1½"	140 – 290 gpm	4"

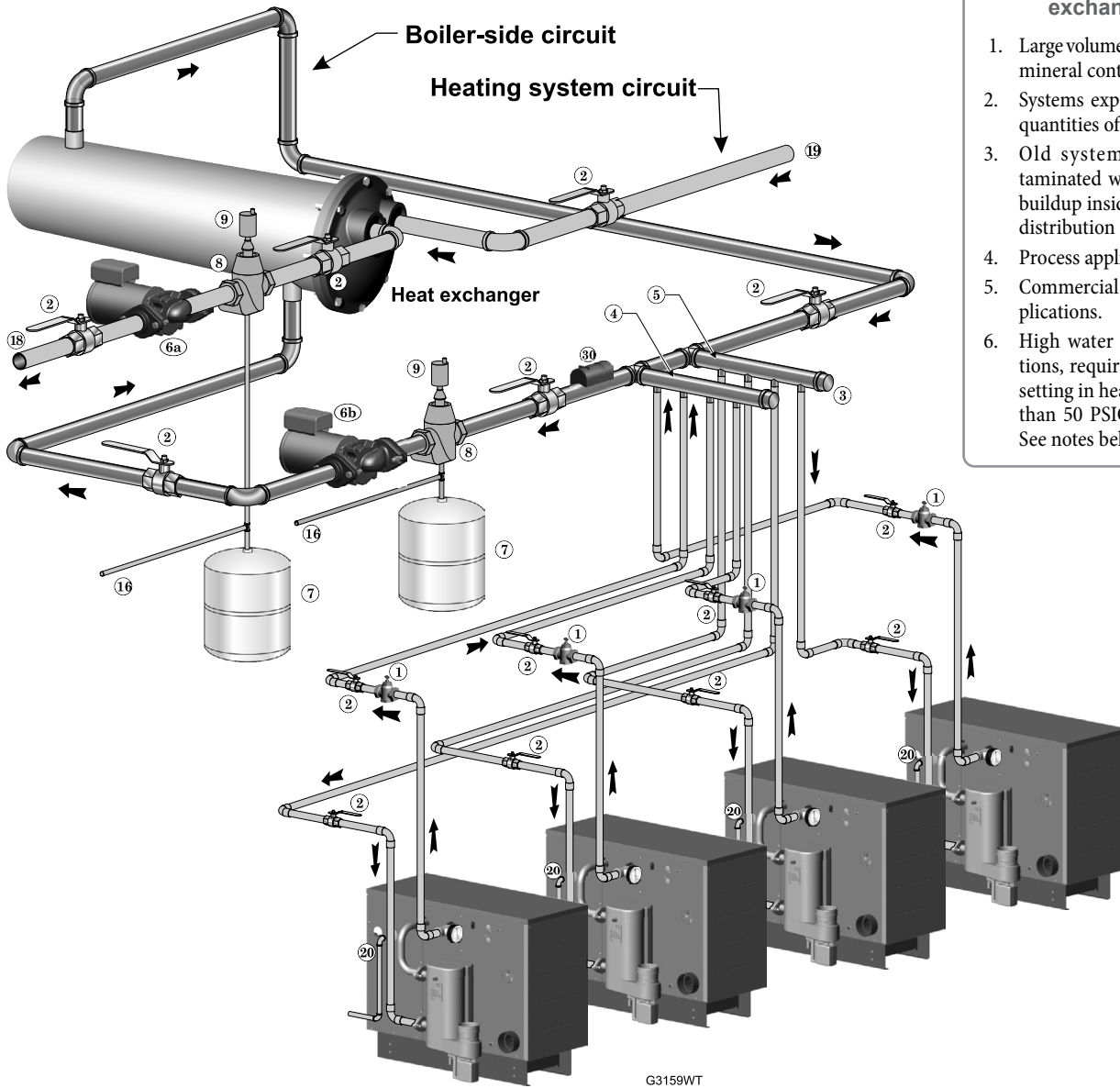
### Legend — Figure 34

- |  |   |
|--|---|
| <ul style="list-style-type: none"> <li>1 Flow/check valve (each boiler)</li> <li>2 Isolation valves (when used)</li> <li>3 Caps</li> <li>4 Secondary header (supply) — layout and size per <a href="#">page 24</a></li> <li>5 Secondary header (return) — layout and size per <a href="#">page 24</a></li> <li>6 Primary circulator</li> <li>7 Expansion tank (diaphragm type)</li> <li>8 System air eliminator</li> <li>9 System automatic air vent</li> <li>16 Cold water fill line — see <a href="#">Figure 32, page 25</a> for typical components</li> <li>18 System supply</li> <li>19 System return</li> <li>20 Boiler relief valve and discharge piping, installed per GWC Boiler Manual</li> </ul> | <ul style="list-style-type: none"> <li>21 Indirect-fired storage water heaters — Example is shown with a boiler water circulator on each water heater. Alternatively, the water heaters could be connected with reverse return piping, using a common circulator.</li> <li>22 Boiler water inlet</li> <li>23 Boiler water outlet</li> <li>24 DHW boiler-side circulators</li> <li>25 DHW boiler-side return secondary header</li> <li>26 DHW boiler-side supply secondary header</li> <li>27 Flow/check valves (to prevent induced or gravity flow in heating system or DHW piping)</li> <li>28 Check valve to prevent heat migration in heating system</li> <li>29 Drain valves</li> <li>30 Sensor for BCP (boiler control panel), when used</li> </ul> <p>Note: See water heater manual for DHW piping — The DHW piping must also be manifolded together since the boiler-side piping is manifolded. If DHW heaters supply separate DHW circuits, provide an individual circulator for each water heater, and control each circulator by its water heater's aquastat.</p> |
|--|---|

**NOTICE** This piping is suggested only. The layout above should be controlled with a boiler sequencing panel that provides DHW operation as well. Wire the heating system circulator to operate only on call for heat. Alternatively, use the boiler sequencing panel to provide domestic priority by disabling the heating system circulator any time there is a DHW call for heat. The boiler internal circulators operate on any call for heat, whether heating system or DHW. Offset the DHW boiler-side supply and return manifolds as shown so the total run of pipe and fittings to each of the water heaters is approximately equal.

# Multiple boiler water piping *(continued)*

**Figure 35** Piping layout — typical for multiple GWC boilers, using isolation exchanger



**Use isolation heat exchanger for:**

1. Large volume systems with high mineral content in water.
2. Systems exposed to untreated quantities of makeup water.
3. Old systems severely contaminated with scale and rust buildup inside piping and heat distribution units.
4. Process applications.
5. Commercial service water applications.
6. High water pressure applications, requiring pressure relief setting in heating system more than 50 PSIG (tall buildings). See notes below.

**Legend — Figure 35**

- |   |  |
|---|--|
| 1 Flow/check valve (each boiler)                          | 9 System automatic air vent  |
| 2 Isolation valves (when used)                            | 13 Cold water supply connections   |
| 3 Cap   | 16 Cold water fill line — see Figure 32, page 25 for typical components      |
| 4 Secondary header (supply) — layout and size per page 24 | 18 Heating system supply   |
| 5 Secondary header (return) — layout and size per page 24 | 19 Heating system return   |
| 6a Heating system circulator (exchanger tube-side)        | 20 Boiler relief valve and discharge piping, installed per GWC Boiler Manual |
| 6b Heat exchanger shell-side circulator                   | 30 Sensor for BCP (boiler control panel), when used                          |
| 7 Expansion tanks (diaphragm type)                        |  |
| 8 System air eliminator                                   |  |

- Notes:**
1. Contact heat exchanger manufacturer for heat exchanger shell-side and tube-side piping and circulator requirements. Tube-side flow and temperatures must meet heating system requirements.
  2. Contact heat exchanger manufacturer for sizing heat exchanger.
  3. Heat exchanger shell-side circuit requires its own expansion tank as shown.
  4. Heating system circuit requires its own expansion tank, as shown, plus its own relief valve set to protect heating system and heat exchanger piping and components.
  5. When individual isolation valves are used, individual boiler and level controls may be required.

# Venting & air — general

**⚠ DANGER** GWC boilers must be vented and supplied with combustion and ventilation air using piping and methods described in this manual.

**Every boiler must have its own vent. DO NOT** common vent with any other appliance.

Inspect finished vent and air piping thoroughly to ensure all are airtight and comply with the instructions provided and with all requirements of applicable codes.

Failure to provide a properly-installed vent and air system will cause severe personal injury or death.

**NOTICE** If the vent/air piping configurations covered in the GWC boiler manual cannot be applied for a particular installation, contact Williamson-Thermoflo for assistance. Other configurations may be available.

**⚠ WARNING** Where vent piping is routed through an unheated space, apply minimum 1 inch of foil-faced fiberglass insulation on the length of the vent pipe in the unheated space.

**⚠ WARNING** Venting/combustion air piping - Installations must provide provisions for combustion and ventilation air in accordance with the section “Air for Combustion and Ventilation,” of the National Fuel Gas Code - ANSI Z223.1/NFPA54 – latest edition.

**⚠ WARNING** Use only the materials listed in this manual for vent and air pipe and fittings. See Figure 40, page 33.

**⚠ WARNING** If used, a masonry chimney can **ONLY** be used as a **PIPE CHASE** for vent and air pipes — The vent and air piping must be installed as instructed in this manual and all joints must be sealed. The chimney must be used only for GWC boilers. NO OTHER appliance or fireplace can be connected to the chimney. The chimney must be straight, with no offsets, and the vent and air piping materials must comply with this instruction manual. The chimney must be fitted with a sealed access opening, through which the interior of the chimney can be inspected. The chimney (and liner, if installed) must be inspected at least once annually to verify condition.

Failure to comply could result in severe personal injury, death or substantial property damage.

**⚠ WARNING** Use **ONLY** the venting materials and venting manufacturers’ components and systems approved by Weil-McLain. Follow all instructions provided by the venting component and system manufacturer. Failure to do so can cause flue gas spillage and carbon monoxide emissions, resulting in severe personal injury or death.

## When removing a boiler from an existing common vent system

**The GWC boiler cannot be common vented with any other appliance.** When an existing boiler is replaced with a GWC boiler, the GWC boiler CANNOT use the existing common vent. The GWC boiler requires its own vent and air piping, as specified in this manual. This may cause a problem for the appliances that remain on the old common vent, because the vent may be too large. The following test, required by ANSI Z21.13, is intended to check for proper operation of the appliances remaining on the old common vent system.

## Vent system verification

At the time of removal of an existing boiler, the following steps shall be followed with each appliance remaining connected to the common venting system placed in operation, while the other appliances remaining connected to the common venting system are not in operation. Seal any unused openings in the common venting system.

## Existing vent test procedure

*(The following is intended to test whether the appliances remaining on an existing vent system will operate satisfactorily.)*

1. Visually inspect the venting system for proper size and horizontal pitch and determine there is no blockage or restriction, leakage, corrosion or other deficiencies which could cause an unsafe condition.
2. Test vent system — Insofar as is practical, close all building doors and windows and all doors between the space in which the appliances remaining connected to the common venting system are located and other spaces of the building. Turn on clothes dryers and any appliance not connected to the common venting system. Turn on any exhaust fans, such as range hoods and bathroom exhausts, so they will operate at maximum speed. Do not operate a summer exhaust fan. Close fireplace dampers.
3. Place in operation the appliance being inspected. Follow the lighting instructions. Adjust thermostat so appliance will operate continuously.
4. Test for spillage at draft hood relief opening after 5 minutes of main burner operation. Use the flame of a match or candle, or smoke from a cigarette, cigar, or pipe.
5. After it has been determined that each appliance remaining connected to the common venting system properly vents when tested as outlined herein, return doors, windows, exhaust fans, fireplace dampers, and any other gas-burning appliance to their previous conditions of use.

Any improper operation of common venting system should be corrected so the installation conforms with the National Fuel Gas Code, ANSI Z223.1/NFPA54 — latest edition. Correct by re-sizing to approach the minimum size as determined using the appropriate tables in Part 13 of that code.

# Venting & air — general *(continued)*

## Provide combustion air

**⚠ WARNING** **DIRECT VENT** — The installation must provide combustion air piping. In addition, ventilation openings may be required.

**DIRECT EXHAUST** — The installation must provide combustion air openings to the boiler space.

**ALL APPLICATIONS** — The installation must provide combustion air openings as needed for other appliances in the space.

## Combustion air contamination

**⚠ WARNING** Ensure that the combustion air will not contain any of the contaminants in Figure 36.

**DO NOT** place combustion air supply openings or intake terminations near a swimming pool, for example.

Avoid areas subject to exhaust fumes from laundry facilities. These areas will always contain contaminants.

## Vent and air termination options

- Vent and air piping must terminate out the sidewall or through the roof of the building, using only one of the methods described in this manual. See [Figure 39, page 32](#) and [Figure 40, page 33](#) for allowable configurations and piping materials.

## DIRECT VENT installations

- For direct venting, combustion air must be piped from outside to the boiler, following the instructions in this manual, and compliant with all applicable codes.
- Ventilation openings are required for some spaces. See [Figure 42, page 36](#).
- If other appliances are located in the same space with the GWC boiler, provide openings shown in [Figure 42, page 36](#).

**⚠ WARNING** If combustion and ventilation air openings are not provided as directed above and the room does not have adequate ventilation, the higher temperature in the space may result in reduced component life.

## DIRECT EXHAUST installations

- Combustion and ventilation air must be provided in the boiler room on direct exhaust installations. Follow all instructions in this manual (see [page 47](#) for air opening instructions) and all applicable codes to provide required air openings.

**NOTICE** **DO NOT sidewall vent DIRECT EXHAUST APPLICATIONS** at altitudes above 5,500 feet. Sidewall venting is only allowed for **DIRECT VENT** applications (ducted combustion air) at altitudes above 5,500 feet.

**Figure 36** Corrosive contaminants and sources

Products to avoid
Spray cans containing chloro/fluorocarbons
Permanent wave solutions
Chlorinated waxes/cleaners
Chlorine-based swimming pool chemicals
Calcium chloride used for thawing
Sodium chloride used for water softening
Refrigerant leaks
Paint or varnish removers
Hydrochloric acid/muriatic acid
Cements and glues
Antistatic fabric softeners used in clothes dryers
Chlorine-type bleaches, detergents, and cleaning solvents found in household laundry rooms
Adhesives used to fasten building products and other similar products
Excessive dust and dirt
Areas likely to have contaminants
Dry cleaning/laundry areas and establishments
Swimming pools
Metal fabrication plants
Beauty shops
Refrigeration repair shops
Photo processing plants
Auto body shops
Plastic manufacturing plants
Furniture refinishing areas and establishments
New building construction

# Venting & air — general *(continued)*

## Manifolded combustion air option for DIRECT VENT multiple boiler installations

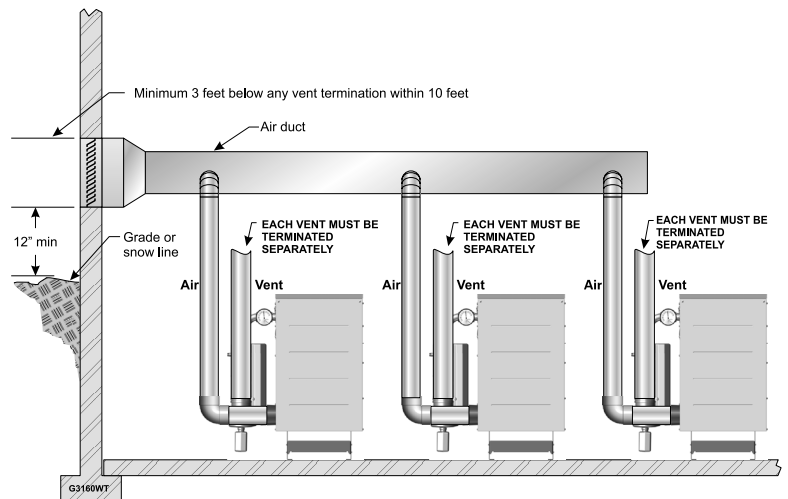
1. Multiple GWC boilers can use a common combustion air manifold.
  - a. The combustion air inlet must be located in a sidewall (and the vents must terminate on the same side of the building).
  - b. See below for minimum cross sectional area of combined air ducts.
  - c. Provide minimum clearance to adjacent vents and grade/snow line as shown in Figure 37.
  - d. Provide minimum free area in duct (adjusted for louver restriction) of **1 square inch per 2,000 Btuh** total boiler input.
  - e. If combustion air damper is used, wire to boilers to prevent operation except after damper has opened.

**⚠ WARNING** ONLY air piping can be combined. **DO NOT use combined vent piping. All vent pipes must be routed and terminated individually** as described in this manual. Flue gas leakage and boiler component damage can occur. Failure to comply could result in severe personal injury, death or substantial property damage.

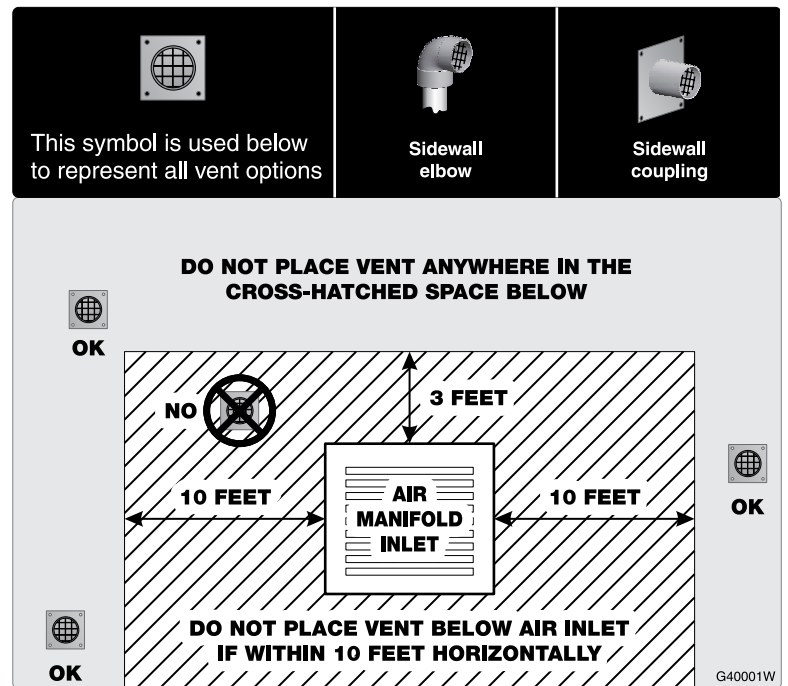
### Air manifold sizing

1. See [Figure 107, page 102](#) for minimum cross sectional area of combined air ducts.
- OR
2. CALCULATE required cross section (for area in square inches):
    - a. **MIN. AREA = TOTAL MBH INPUT DIVIDED BY 2**
  3. Example:
    - a. A multiple boiler system with (4) **GWC-140** boilers has a total input of  $4 \times 140 = 560$  MBH (560,000 Btuh).
    - b. The required duct cross sectional area is:
    - c. **MIN. AREA = 560 DIVIDED BY 2 = 280 sq. inches**

**Figure 37** Combustion air manifold option (combined air inlet, but individual vents) — must comply with [Figure 41, page 35](#)



**Figure 38** Maintain clearances and placement between the air manifold inlet and any appliance vent as shown below

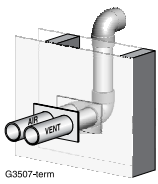
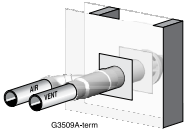
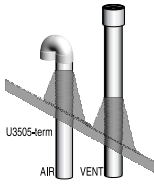
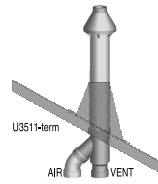
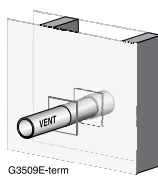
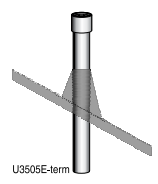


**⚠ WARNING** The air manifold inlet of GWC boilers is part of direct vent connections. It is not classified as a forced air intake with regard to spacing from adjacent boiler vents. To avoid recirculation, however, you must install the vent terminations and air inlets with the clearances specified in Figure 38. The vent must be located following the restrictions shown in [Figure 41, page 35](#). The vent termination configuration can be any of the sidewall methods (NOT VERTICAL) shown in this manual for direct vent or direct exhaust sidewall termination installations. **THE VENTS MUST BE TERMINATED THROUGH THE SAME SIDE WALL AS THE AIR MANIFOLD INLET.**



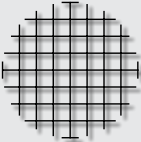
# Venting & air — general *(cont.)*

Figure 39 GWC venting and air piping — OPTIONS and PIPING LIMITS

<b>Maximum vent and air pipe lengths</b> (Minimum length for all applications is 2 feet) (All applications include allowance for the termination fittings)						
GWC Model	<b>DIRECT VENT</b> (combustion air piped to boiler from outside)				<b>DIRECT EXHAUST</b> (combustion air from inside)	
	<b>SIDEWALL</b> termination		<b>VERTICAL</b> termination		<b>SIDEWALL</b> termination	<b>VERTICAL</b> termination
	3" Separate pipes	3" P Concentric [Note 1]	3" Separate pipes	3" Concentric [Note 1]	3" Coupling or Elbow	3" Coupling
						
	See <a href="#">page 37</a>	See <a href="#">page 39</a>	See <a href="#">page 41</a>	See <a href="#">page 43</a>	See <a href="#">page 49</a>	See <a href="#">page 51</a>
	Max. Length (feet)	Max. Length (feet)	Max. Length (feet)	Max. Length (feet)	Max. Length (feet)	Max. Length (feet)
<b>-070</b>	100	100	100	100	100	100
<b>-105</b>	100	100	100	100	100	100
<b>-140</b>	100	100	100	100	100	100
<b>-175</b>	100	100	100	100	100	100
<b>Equivalent feet for elbows</b> — deduct from maximum equivalent length of piping (does not apply to termination fittings) <ul style="list-style-type: none"> <li>PVC                             <ul style="list-style-type: none"> <li>• 7 feet per for each 3-inch 90° long-radius or 45° elbow</li> <li>• 16 feet for each 3-inch short-radius elbow</li> </ul> </li> <li>Centrotherm                             <ul style="list-style-type: none"> <li>3" - 87° elbow = 8 feet</li> <li>3" - 45° elbow = 3 feet</li> </ul> </li> <li>Duravent                             <ul style="list-style-type: none"> <li>3" - 90° elbow = 7 feet</li> <li>3" - 45° elbow = 3 feet</li> </ul> </li> </ul>						
Note 1:	Use only PVC or Polypropylene pipe DO NOT use CPVC or ABS with concentric termination kits. IPEX 3" PVC concentric vent kits can be used with standard PVC pipe, fittings and cement (ANSI/ASTM D1785) except where ULC S636 compliance is required. For ULC S636 compliance, all pipe, fittings and cement must be IPEX System 636. When using IPEX kits, use only IPEX product code 196006 for 3" venting. For UL 1738 compliance all pipe, fittings and cement must be IPEX System 1738. If using IPEX venting termination kits, use only IPEX product code 196006 for 3" venting. Contact Williamson-Thermoflo for ordering information and availability of Williamson-Thermoflo venting kits.					
	Polypropylene - Separate pipe and concentric termination by respective manufacturers.					

# Venting & air — general *(cont.)*

**Figure 40 Vent and air piping materials** — Use only the materials listed below, ensuring that all materials meet local codes.

Item	Material	Standards for installations in:
		United States
<b>Plastic piping materials</b>		
<b>Vent or air pipe &amp; fittings</b>	PVC schedule 40	ANSI/ASTM D1785 / UL1738 / ULC S636
	PVC-DWV (Note 1)	ANSI/ASTM D2665
	CPVC schedule 40 (Note 1)	ANSI/ASTM F441 / ULC S636
	ABS-DWV schedule 40 (Note 1)	ANSI/ASTM D2661
<b>PVC &amp; ABS pipe cement &amp; primer</b>	PVC	ANSI/ASTM D2564, F656 & UL1738
	CPVC (Note 1)	ANSI/ASTM F493
	ABS (Note 1)	ANSI/ASTM D2235
<b>Polypropylene vent pipe, fittings, terminations and cement</b>	<b>Simpson-Duravent</b> — Obtain all materials from M&G Simpson-Duravent <b>Centrotherm Eco Systems InnoFlue® Single-wall</b> — Obtain all materials from Centrotherm	See manufacturer's literature for detailed information <b>MUST USE LOCKING COLLAR ON EVERY JOINT</b>
<b>AL29-4C piping materials</b>		
<b>Vent pipe AL29-4C stainless steel</b>	Heat Fab, Inc. — Saf-T-Vent® Z-Flex, Inc. — Z-Vent Dura-Vent — FasNSeal™ Metal-Fab, Inc. — CORR/GUARD	Certified for Category IV and direct vent appliance venting
<b>Williamson-Thermoflo bird screens <i>(included with boiler)</i></b>		
<b>Williamson-Thermoflo bird screens</b>	3" bird screen: W-T part number 383-500-105WT (two (2) supplied with the boiler)	
Note 1:	DO NOT use DWV, CPVC or ABS when using concentric vent termination. Use ONLY PVC schedule 40.	
Note 2:	IPEX PVC concentric terminations utilize PVC pipe/fittings certified to ULC S636. Where ULC S636 compliance is required, use only IPEX System 636 pipe, fittings and cement. If UL1738 compliance is required, use only System 1738 pipe, fittings and cement.	
<b>⚠ WARNING</b>	AL29-4C vent piping — Install a PVC-to-stainless adapter supplied by the vent pipe manufacturer at the boiler vent connection and at the termination (when using concentric PVC termination). DO NOT mix piping from different vent pipe manufacturers unless using adapters specifically designed for the purpose by the manufacturer.	
<b>⚠ WARNING</b>	Plastic piping — Do not attempt to connect different types of plastic piping together.	
<b>⚠ WARNING</b>	DO NOT use cellular core pipe.	
	<b>⚠ WARNING</b> <b>ALL</b> vent and air pipes require a <b>BIRD SCREEN</b> at each termination. Two bird screens are supplied with each GWC boiler.	

# Commonwealth of Massachusetts installations

**Commonwealth of Massachusetts** — When the boiler is installed within the Commonwealth of Massachusetts, the boiler must be installed by a licensed plumber or gas fitter. Read and comply with the instructions below.

- (a) **REQUIREMENTS:** For all sidewall horizontally-vented gas-fueled equipment installed in every dwelling, building or structure used in whole or in part for residential purposes, including those owned or operated by the Commonwealth and where the side wall exhaust vent termination is less than seven (7) feet above finished grade in the area of the venting, including but not limited to decks and porches, the following requirements shall be satisfied:
1. **INSTALLATION OF CARBON MONOXIDE DETECTORS.** At the time of installation of the side wall horizontally vented gas fueled equipment, the installing plumber or gas fitter shall observe that a hard wired carbon monoxide detector with an alarm and battery back-up is installed on the floor level where the gas equipment is to be installed. In addition, the installing plumber or gas fitter shall observe that a battery operated or hard wired carbon monoxide detector with an alarm is installed on each additional level of the dwelling, building or structure served by the side wall horizontal vented gas fueled equipment. It shall be the responsibility of the property owner to secure the services of qualified licensed professionals for the installation of hard wired carbon monoxide detectors
    - a. In the event that the side wall horizontally vented gas fueled equipment is installed in a crawl space or an attic, the hard wired carbon monoxide detector with alarm and battery back-up may be installed on the next adjacent floor level.
    - b. In the event that the requirements of this subdivision can not be met at the time of completion of installation, the owner shall have a period of thirty (30) days to comply with the above requirements; provided, however, that during said thirty (30) day period, a battery operated carbon monoxide detector with an alarm shall be installed.
  2. **APPROVED CARBON MONOXIDE DETECTORS.** Each carbon monoxide detector as required in accordance with the above provisions shall comply with NFPA 720 and be ANSI/UL 2034 listed and IAS certified.
  3. **SIGNAGE.** A metal or plastic identification plate shall be permanently mounted to the exterior of the building at a minimum height of eight (8) feet above grade directly in line with the exhaust vent terminal for the horizontally vented gas fueled heating appliance or equipment. The sign shall read, in print size no less than one-half (1/2) inch in size, "GAS VENT DIRECTLY BELOW. KEEP CLEAR OF ALL OBSTRUCTIONS."
  4. **INSPECTION.** The state or local gas inspector of the side wall horizontally vented gas fueled equipment shall not approve the installation unless, upon inspection, the inspector observes carbon monoxide detectors and signage installed in accordance with the provisions of 248 CMR 5.08(2)(a) 1 through 4.
- (b) **EXEMPTIONS:** The following equipment is exempt from 248 CMR 5.08(2)(a)1 through 4:
1. The equipment listed in Chapter 10 entitled "Equipment Not Required To Be Vented" in the most current edition of NFPA 54 as adopted by the Board; and
  2. Product Approved side wall horizontally vented gas fueled equipment installed in a room or structure separate from the dwelling, building or structure used in whole or in part for residential purposes.
- (c) **MANUFACTURER REQUIREMENTS — GAS EQUIPMENT VENTING SYSTEM PROVIDED.** When the manufacturer of Product Approved side wall horizontally vented gas equipment provides a venting system design or venting system components with the equipment, the instructions provided by the manufacturer for installation of the equipment and the venting system shall include:
1. Detailed instructions for the installation of the venting system design or the venting system components; and
  2. A complete parts list for the venting system design or venting system.
- (d) **MANUFACTURER REQUIREMENTS — GAS EQUIPMENT VENTING SYSTEM NOT PROVIDED.** When the manufacturer of a Product Approved side wall horizontally vented gas fueled equipment does not provide the parts for venting the flue gases, but identifies "special venting systems", the following requirements shall be satisfied by the manufacturer:
1. The referenced "special venting system" instructions shall be included with the appliance or equipment installation instructions; and
  2. The "special venting systems" shall be Product Approved by the Board, and the instructions for that system shall include a parts list and detailed installation instructions.
- (e) **PLASTIC VENTING SYSTEMS.**
- The only plastic piping which may be used for venting appliances shall be:
1. Allowed by the appliance manufacturer.
  2. Listed to a national/international standard for plastic venting systems.
  3. Product-accepted for that purpose by the board.
- (f) **INSTALLATION INSTRUCTIONS.** A copy of all installation instructions for all Product Approved side wall horizontally vented gas fueled equipment, all venting instructions, all parts lists for venting instructions, and/or all venting design instructions shall remain with the appliance or equipment at the completion of the installation.

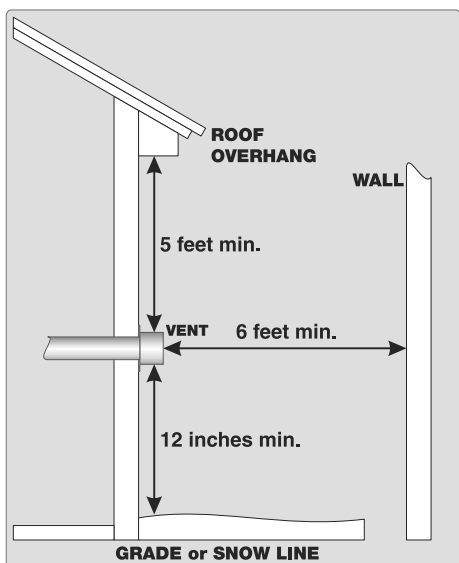
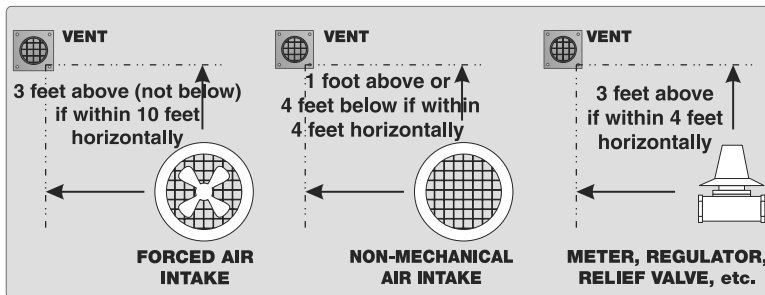
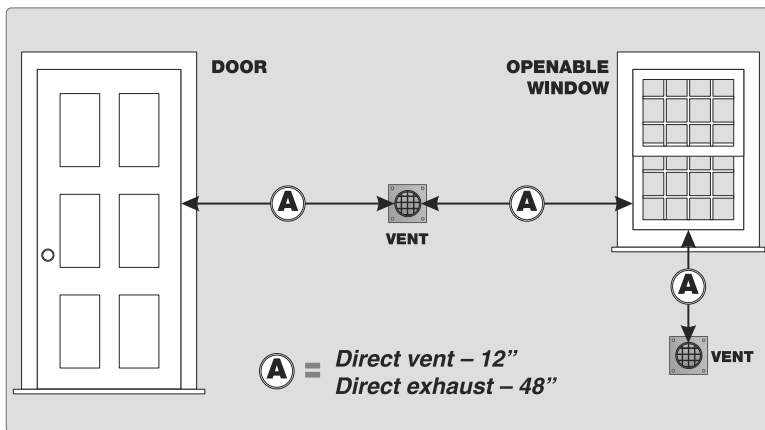


# Vent termination requirements

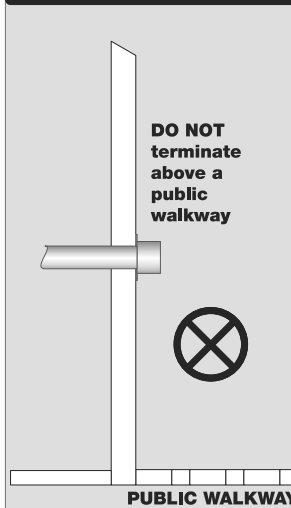
**Figure 41** The vent termination must be located to meet all requirements below (also applies to vertical vent terminations). The minimum distance from adjacent public walkways, adjacent buildings, openable windows and building in the National Fuel Gas Code, ANSI Z223.1/NFPA 54 - latest edition. The vent termination clearances below are for U.S.A. Consideration should be given to avoid possible damage caused by vent plumes and condensate when choosing a venting configuration and location. Maintain a minimum clearance of 4 ft. (1.22m) horizontally from, and in no case above or below, unless a 4 ft. (1.22m) horizontal distance is maintained, from electrical meters, gas meters, regulators, and relief equipment.



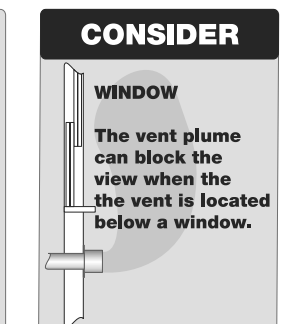
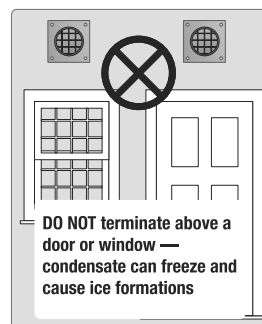
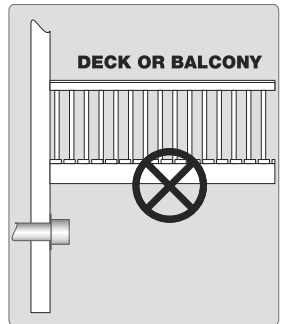
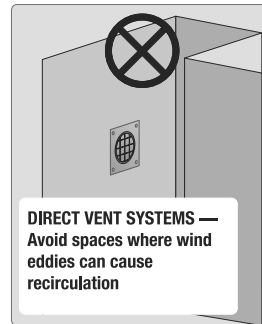
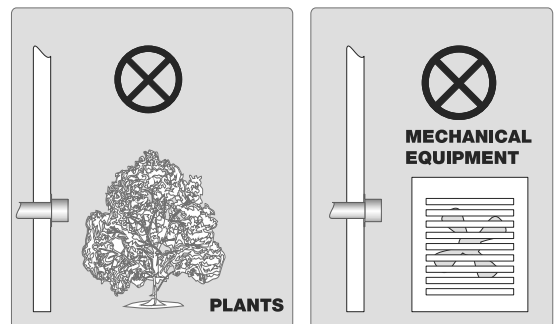
## MINIMUM CLEARANCES



## DO NOT TERMINATE:

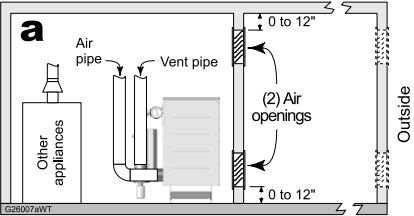
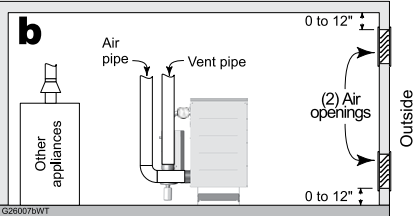
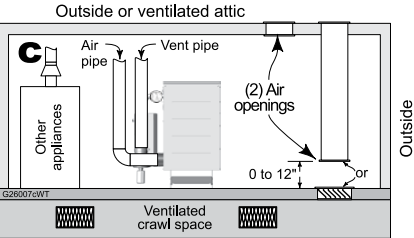
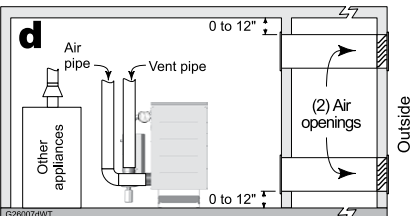


## DO NOT TERMINATE:



# DIRECT VENT — Boiler room air openings

**Figure 42** Combustion and ventilation air openings for GWC Direct Vent installations

<p><b>Air openings</b></p> <p>The required air opening sizes below are FREE AREA, after reduction for louver obstruction. Note the exception below for large spaces.</p>	<p><b>GWC boiler WITH other appliances in room</b></p>	<p><b>GWC boiler WITHOUT other appliances in room</b></p>
	<p><b>TWO</b> openings, each at least:  <b>1 square inch per 1,000 Btuh</b> of all other appliances in the room</p>	
	<p><b>TWO</b> openings, each at least:  <b>1 square inch per 4,000 Btuh</b> of all other appliances in the room                  — OR —  <b>ONE</b> opening **, each at least:  <b>1 square inch per 3,000 Btuh</b> of all other appliances in the room</p>	<p><b>NO</b> openings are required if the boiler installation provides at least the recommended service clearances shown in <a href="#">Figure 2, page 6</a>.</p>
	<p><b>TWO</b> openings, each at least:  <b>1 square inch per 4,000 Btuh</b> of all other appliances in the room                  — OR —  <b>ONE</b> opening **, each at least:  <b>1 square inch per 3,000 Btuh</b> of all other appliances in the room</p>	<p><b>If the space is smaller than <a href="#">Figure 2, page 6</a>, provide openings ONLY as shown on <a href="#">page 7</a> and <a href="#">Figure 4, page 7</a>.</b></p>
	<p><b>TWO</b> openings, each at least:  <b>1 square inch per 2,000 Btuh</b> of all other appliances in the room                  — OR —  <b>ONE</b> opening **, each at least:  <b>1 square inch per 3,000 Btuh</b> of all other appliances in the room</p>	
<p><b>** NOTICE:</b>  <b>Requirements for using the SINGLE air opening option.</b></p>	<p>A single combustion air opening can be used for cases b, c or d above (GWC with other appliances in room only), sized as listed, provided that:</p> <ul style="list-style-type: none"> <li>• The single opening must communicate directly to the outdoors or to a space that communicates directly with outdoors (NOT to an interior space).</li> <li>• The top of the opening must be within 12 inches of the ceiling.</li> <li>• The free area of the opening must be at least equal to the sum of the areas of all equipment vent connectors in the space.</li> </ul>	
<p><b>SPECIAL EXCEPTION FOR LARGE SPACES (GWC WITH other appliances in room only):</b></p>	<p>NO combustion air openings are needed when the boiler (and other appliances) are installed in a space with a volume NO LESS than 50 cubic feet per 1,000 Btuh of all appliances in the space. That is, the total input of all appliances in MBH (1,000's of Btuh), then multiply this total times 50. The building MUST NOT be of tight construction.</p> <p>Example: For a total input of 500 MBH (500,000 Btuh), the minimum volume would be 50 x 500 = 25,000 cubic feet (3,125 square feet if ceiling height is 8 feet).</p>	

# DIRECT VENT — Sidewall with separate pipes

## Allowable vent/air pipe materials & lengths

**WARNING** Use only the vent materials and kits listed in [Figure 40, page 33](#). Provide pipe adapters if specified.

1. Locate the termination such that the total air piping and vent piping from the boiler to the termination will not exceed the maximum length given in [Figure 39, page 32](#).

## Determine termination location

1. The air and vent terminations must be installed as shown in [Figure 43, page 37](#) and [Figure 45, page 38](#).
2. The terminations must comply with clearances and limitations shown in [Figure 41, page 35](#).
3. Locate the terminations so they are not likely to be damaged by foreign objects, such as stones or balls, or subject to buildup of leaves or sediment.

**WARNING** Do not exceed the maximum lengths of the outside vent piping shown in [Figure 43, page 37](#). Excessive length exposed to the outside could cause freezing of condensate in the vent pipe, resulting in potential boiler shutdown. In extremely cold climates, install an insulated chase around the vent piping, particularly when using longer lengths. The chase must allow for inspection of the vent pipe, and insulation must be protected from water.

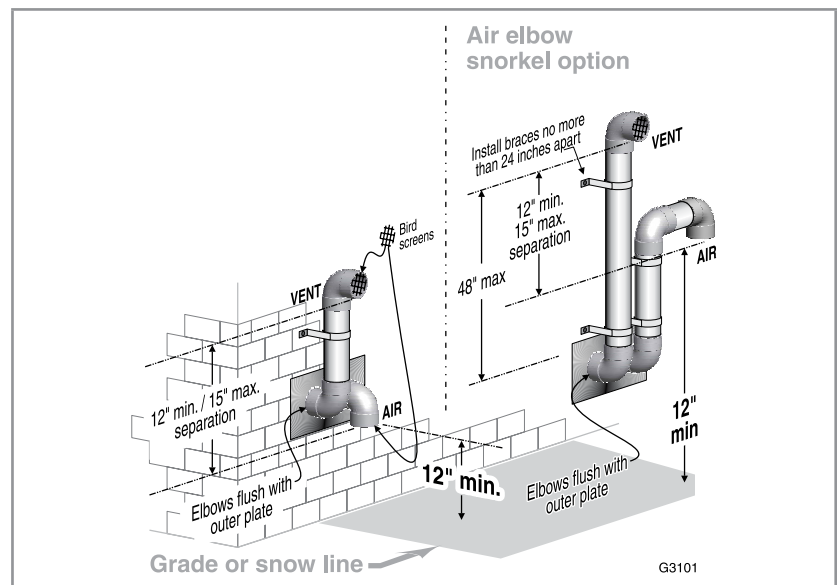
## Multiple vent/air terminations

1. When terminating multiple GWC boilers, terminate each vent/air connection as described in this manual.

**WARNING** All vent pipes and air inlets must terminate at the same height to avoid possibility of severe personal injury, death or substantial property damage.

2. Place wall penetrations to obtain minimum clearances shown in [Figure 44, page 38](#) for U. S. installations.
3. The air inlet of a GWC boiler is part of a direct vent connection. It is not classified as a forced air intake with regard to spacing from adjacent boiler vents.
4. Combustion air (NOT vent piping) can be manifolded as shown in [Figure 37, page 31](#).

Figure 43 INSTALLATION SEQUENCE — Separate pipes sidewall



- Step 1** Read and follow all instructions in this manual. **DO NOT proceed with vent/air installation until you have read [page 29](#) through [page 35](#).**
- Step 2** Install the boiler in a location that allows proper routing of all vent and air piping to the selected sidewall location.
- Step 3** Make sure the selected sidewall termination location complies with [Figure 41, page 35](#). (Multiple boiler sidewall plates must also comply with [Figure 44, page 38](#).)
- Step 4** Use only the vent materials listed in [Figure 40, page 33](#). Provide pipe adapters where required. Vent piping and air piping lengths must not exceed the values shown in [Figure 39, page 32](#). **In addition to the vent materials, this installation requires two (2) W-T sidewall termination plates and a bird screen for air and vent termination fittings, unless using an AL29-4C vent termination fitting with integral screen.** Two plates and two bird screens are supplied with the boiler for use with 3" PVC piping.
- Step 5** Prepare the sidewall penetrations and secure the sidewall plates as instructed in this section. See "Prepare wall penetrations" on [page 38](#).
- Step 6** The air piping must terminate in a **down-turned elbow** as shown above. The vent piping must terminate in an **elbow pointed outward or away from the air inlet** as shown above. See illustration above.
- Step 7** Install vent and air piping between the boiler and the sidewall openings. Slope horizontal piping downward toward the boiler at least 1/4 inch per foot. See [page 46](#) for general guidelines.
- Step 8** Install pipe supports every 5 feet on both the horizontal and vertical runs. Install a hanger support within 6 inches of any upturn in the piping.
- Step 9** Attach the vent termination exterior piping: Use either of the configurations shown above, as needed to ensure clearance above grade or snow line.
- Step 10** The vent and air pipes may run up as high as 4 feet with no enclosure. The vent and air pipes must be secured with braces, and all clearances and lengths must be maintained. Space braces no further than 24 inches apart.
- Step 11** External venting greater than 4 feet requires an insulated enclosure around the vent and air pipes. The vent and air terminations must exit through the enclosure as shown in the illustration above, maintaining all required clearances.

# DIRECT VENT — Sidewall with separate pipes *(continued)*

**NOTICE** For multiple boiler applications using the manifolded combustion air option, the vent can be terminated in an elbow as in [Figure 43, page 37](#), or in a coupling or sidewall termination plate. The vents must be located following the restrictions in [Figure 41, page 35](#) and [Figure 38, page 31](#).

**NOTICE** In addition to the vent materials, this installation requires two (2) W-T sidewall termination plates and a bird screen for each air and vent termination fitting, unless using an AL29-4C vent termination fitting with integral screen. Two plates and two bird screens are supplied with the boiler.

## Prepare wall penetrations

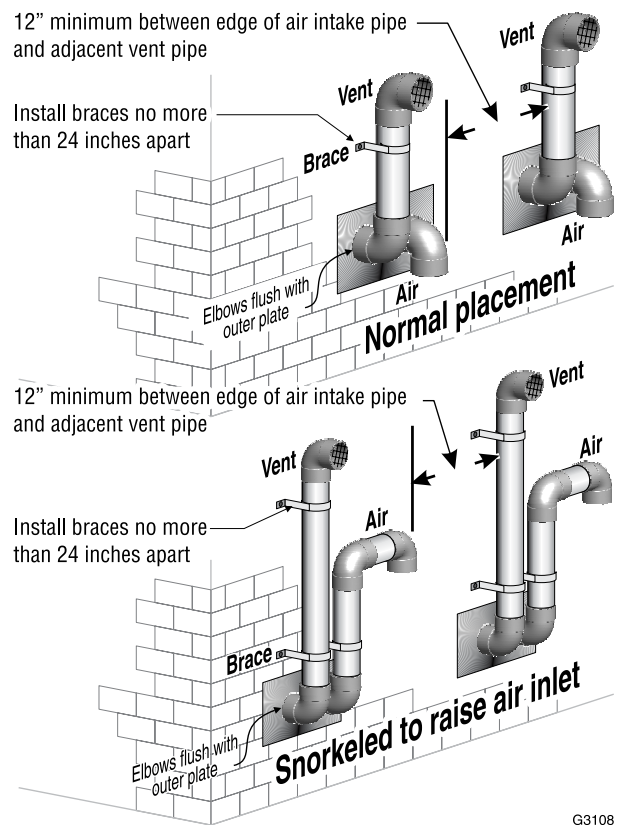
1. Two W-T sidewall termination plates are included with each boiler. Use one of the sidewall termination plates as a template to mark air pipe and vent pipe hole locations.
  - a. Hole centers in the plates are 3 3/4" apart.
  - b. Hole diameters are 3.14" for holes as is. Use as is for 3" AL29-4C pipe. Remove knockout to provide 3/4" hole for 3" PVC pipe.
2. Air pipe penetration:
  - a. Cut a hole for the air pipe.
  - b. Size the air pipe hole as close as desired to the air pipe outside diameter.
3. Vent pipe penetration:
  - a. Cut a hole for the vent pipe.
  - b. Cut the vent pipe hole to at least 3.9 inches for 3" PVC vent or 3.4" for 3" AL29-4C vent.
  - c. Insert a galvanized metal thimble in the vent pipe hole as shown in [Figure 45](#).
4. Follow all local codes for isolation of vent pipe when passing through floors or walls.
5. Seal exterior openings thoroughly with exterior caulk.

## Termination and fittings

1. Prepare the vent termination elbow and the air termination elbow by inserting bird screens, unless using an AL29-4C vent termination fitting with integral screen. (See [Figure 43, page 37](#).) Two bird screens are supplied with the boiler.
2. When completed, the air termination elbow opening must be oriented at least 12 inches below the vent termination and at least 12 inches above grade or snow line as shown in [Figure 43, page 37](#).
3. You can orient the vent termination elbow either directly outward or 90 degrees away from the air inlet elbow as shown in [Figure 43, page 37](#).
4. Maintain the required dimensions of the finished termination piping as shown in [Figure 43, page 37](#).
5. For multiple boiler terminations, see [Figure 44, page 38](#).
6. Do not extend exposed vent pipe outside of building more than shown in this document. Condensate could freeze and block vent pipe.

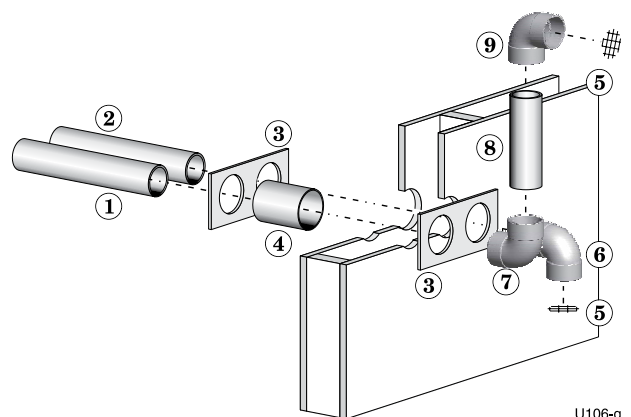
**NOTICE** If extending the vent and air pipes out from the wall, install a coupling on each pipe. Mount the piping with the coupling flush with the outer plate.

**Figure 44** Multiple separate pipes sidewall terminations



G3108

**Figure 45** Sidewall termination assembly — using separate pipes



U106-g

1 Vent piping	5 Bird screens, supplied with boiler
2 Air piping	6 Air inlet elbow
3 W-T sidewall termination plates, (remove knockout if using PVC pipe; leave knockout in if using AL29-4C vent pipe)	7 Elbow
4 Galvanized thimbles, by installer	8 Nipple
	9 Elbow (vent termination)

# DIRECT VENT — Sidewall with 3” concentric

## Allowable vent/air pipe materials & lengths

1. The 3” concentric termination kit must be purchased separately.

**⚠WARNING** Use only the vent materials and kits listed in [Figure 40, page 33](#). Provide pipe adapters if specified.

2. Locate the termination such that the total air piping and vent piping from the boiler to the termination will not exceed the maximum length given in [Figure 39, page 32](#).
3. This termination requires a 45-degree elbow that is not supplied with the termination kit. The maximum vent/air pipe lengths include allowance for this elbow.

## Determine termination location

1. The concentric termination kit must be installed as shown in [Figure 46, page 39](#).
2. The termination must comply with clearances and limitations shown in [Figure 41, page 35](#).
3. Locate the termination so it is not likely to be damaged by foreign objects, such as stones or balls, or subject to buildup of leaves or sediment.

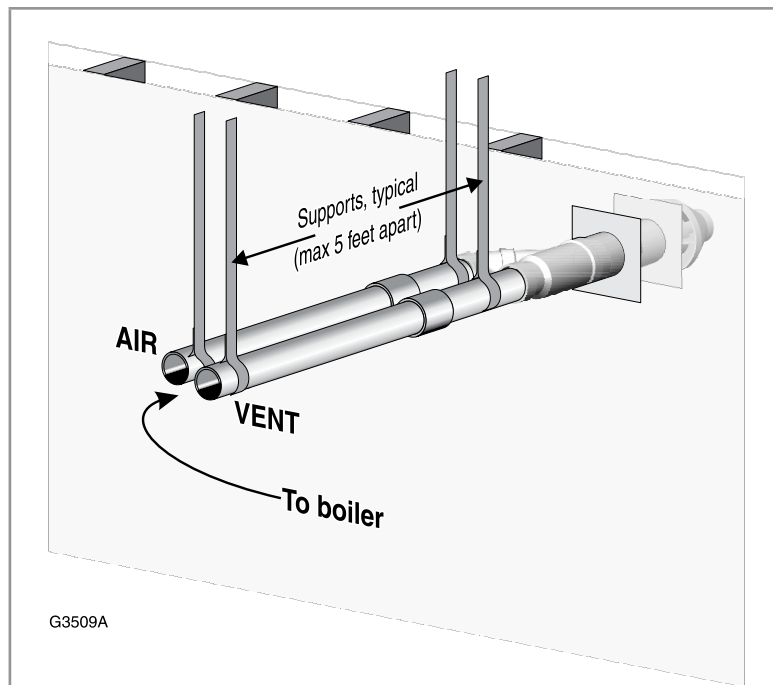
## Multiple vent/air terminations

1. When terminating multiple GWC boilers, install each concentric termination as described in this manual.

**⚠WARNING** All vent pipes and air inlets must terminate at the same height to avoid possibility of severe personal injury, death or substantial property damage.

2. Place wall penetrations to obtain minimum clearance as shown in [Figure 47, page 40](#) for U. S. installations.
3. The air inlet of a GWC boiler is part of a direct vent connection. It is not classified as a forced air intake with regard to spacing from adjacent boiler vents.

Figure 46 INSTALLATION SEQUENCE — Concentric horizontal



- Step 1** Read and follow all instructions in this manual. **DO NOT proceed with vent/air installation until you have read [page 29](#) through [page 35](#).**
- Step 2** Install the boiler in a location that allows proper routing of all vent and air piping to the selected sidewall location.
- Step 3** Make sure the selected sidewall termination location complies with [Figure 41, page 35](#). (Multiple boiler concentric terminations must also comply with [Figure 47, page 40](#).)
- Step 4** Use only the vent materials listed in [Figure 40, page 33](#). Provide pipe adapters where required.
- Step 5** Vent piping and air piping lengths must not exceed the values shown in [Figure 39, page 32](#).
- Step 6** The concentric termination must be assembled and installed before piping from the boiler to the termination.
- Step 7** Prepare the sidewall penetration — assemble the concentric termination kit and secure the cover plates as instructed in this section. Provide the supports indicated and mount the termination assembly. See “[Install termination — concentric pipes](#)” on [page 40](#).
- Step 8** Install vent and air piping between the boiler and the concentric vent/air termination. Slope horizontal piping downward toward the boiler at least 1/4 inch per foot. See [page 46](#) for general guidelines.
- Step 9** Install pipe supports every 5 feet on both the horizontal and vertical runs.
- Step 10** Install a hanger support within 6 inches of any upturn in the piping.



# DIRECT VENT — Sidewall with 3” concentric *(continued)*

## Install termination — concentric pipes

1. Assemble the vent termination as described for concentric terminations, on [page 45](#).

**⚠WARNING** If necessary, you can shorten the lengths of the inner and outer pipes for a shorter finished assembly. But you must ensure the pipes butt correctly at both ends. Failure to properly assemble the concentric termination can result in flue gas recirculation, causing possible severe personal injury or death.

2. Wall penetration:
  - a. Preferably, use a thimble with a 4½-inch hole. If not using a thimble, carefully use a hole saw to cut a hole not larger than 4¾ inches in diameter through the wall. The finished hole must provide a solid stop for the rain cap ribs, as shown in the inset to [Figure 48](#).
3. Secure the termination in place so the rain cap will butt against the outside wall or outer thimble plate as shown in [Figure 48](#), [page 40](#).
4. Before beginning vent and air piping from the boiler to the concentric termination, mount and secure the concentric termination as shown in [Figure 48](#), [page 40](#).

**⚠WARNING** The vent and air piping must be securely supported, and must not rest its weight on the boiler fittings. Failure to properly support the vent and air piping could result in vent piping damage, resulting in possible severe personal injury, death or substantial property damage.

The supports/bracing used to support the termination assembly must support the termination assembly to prevent slippage or movement.

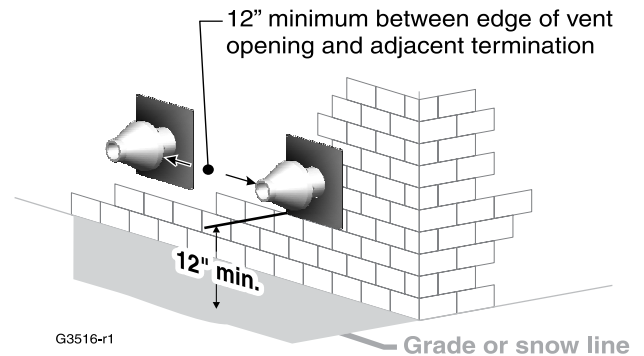
The clamps used on the outside of the termination pipe must not cut into the pipe or contain sharp edges that could cause a crack to form.

**⚠WARNING** When inserting the partially-assembled termination kit through the wall penetration, wrap plastic or other protection over the end of the exposed assembly to prevent debris from entering the pipes. If the air passages become blocked, the boiler will not operate. Once the rain cap has been cemented to the assembly, there is no way to correct the problem. The assembly would have to be replaced if it were cut to be removed and cleaned. Altering the assembly in any way could result in severe personal injury or death due to toxic flue product emissions.

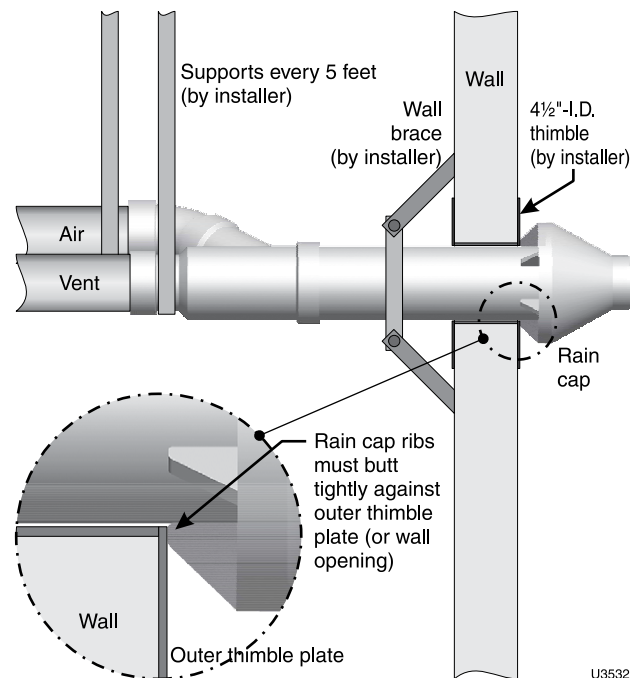
**⚠WARNING** When using AL29-4C stainless vent pipe, use the vent pipe manufacturer’s PVC adapter when connecting to the concentric vent attachment.

5. After the assembly has been positioned in the opening and all supports have been attached, install a bird screen (supplied with boiler) and rain cap as follows:
  - a. Place the bird screen on the end of the inner pipe as in [Figure 54](#), [page 45](#).
  - b. Cement the rain cap in place as shown.

**Figure 47** Termination location — concentric termination — multiple boilers — clearance from vent of one to air intake of the next



**Figure 48** Installing and supporting the concentric sidewall vent assembly



**⚠WARNING** Ensure that the wall material is strong enough to prevent the rain cap from being pushed inward if struck or pushed from the outside.

# DIRECT VENT — Vertical with separate pipes

## Allowable vent/air pipe materials & lengths

**WARNING** Use only the vent materials and kits listed in [Figure 40, page 33](#). Provide pipe adapters if specified.

1. Locate the terminations such that the total air piping and vent piping from the boiler to the termination will not exceed the maximum length given in [Figure 39, page 32](#).

## Determine termination location

1. The air and vent terminations must be installed as shown in [Figure 49, page 41](#).
2. The terminations must comply with clearances and limitations shown in [Figure 41, page 35](#).
3. Locate the terminations so they are not likely to be damaged by foreign objects, such as stones or balls, or subject to buildup of leaves or sediment.

## Multiple vent/air terminations

([Figure 50, page 42](#))

1. When terminating multiple GWC boilers, terminate each vent/air connection as described in this section.

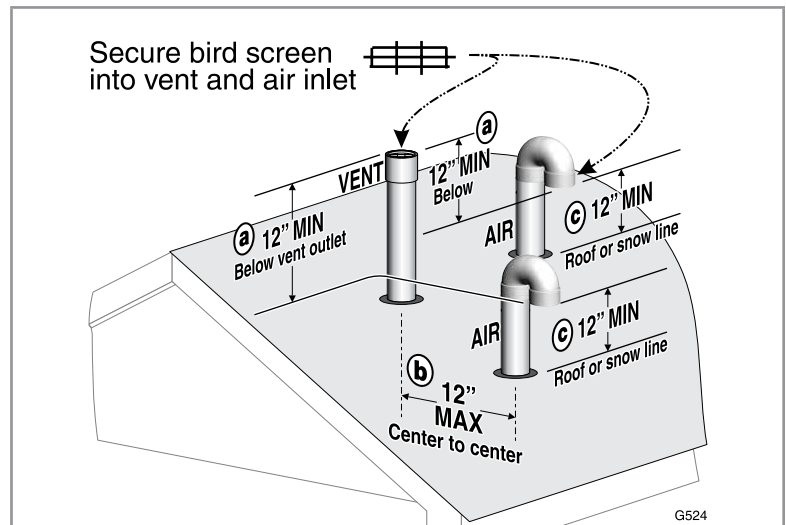
**WARNING** Terminate all vent pipes at the same height and all air pipes at the same height to avoid possibility of severe personal injury, death or substantial property damage.

2. Place roof penetrations to obtain minimum clearance of 12 inches between edge of air intake elbow and adjacent vent pipe of another boiler for U. S. installations (see [Figure 50, page 42](#)).
3. The air inlet of a GWC boiler is part of a direct vent connection. It is not classified as a forced air intake with regard to spacing from adjacent boiler vents.

## Prepare roof penetrations

1. Air pipe penetration:
  - a. Cut a hole for the air pipe. Size the air pipe hole as close as desired to the air pipe outside diameter.
2. Vent pipe penetration:
  - a. Cut a hole for the vent pipe. For either combustible or noncombustible construction, size the vent pipe hole at least 0.4" larger than the vent pipe diameter (4" hole for 3" pipe).
  - b. Insert a galvanized metal thimble in the vent pipe hole.

**Figure 49** Separate pipes vertical termination



**Locate air inlet pipe termination:**

- a** AT LEAST 12 inches below vent outlet
- b** NO FURTHER than 12 inches away horizontally
- c** AT LEAST 12 inches above roof or snow line

- Step 1** Read and follow all instructions in this manual. **DO NOT proceed with vent/air installation until you have read [page 29](#) through [page 35](#).**
- Step 2** Install the boiler in a location that allows proper routing of all vent and air piping to the selected sidewall location.
- Step 3** Make sure the selected vertical termination location complies with [Figure 41, page 35](#). (Multiple boiler terminations must also comply with [Figure 50, page 42](#).)
- Step 4** Use only the vent materials listed in [Figure 40, page 33](#). Provide pipe adapters where required. Vent piping and air piping lengths must not exceed the values shown in [Figure 39, page 32](#).
- Step 5** Prepare the vertical penetrations and secure penetration components as instructed in this section. See "Prepare roof penetrations" on this page and "Termination and fittings" on [page 42](#).
- Step 6** The air piping must terminate in a 180-degree return bend or **down-turned elbow** as shown above. The vent piping must terminate in a **coupling pointed upward** as shown above. Vent and air terminations must be fitted with bird screens as shown. Two bird screens are supplied with the boiler.
- Step 7** Install vent and air piping between the boiler and the vertical terminations. Slope horizontal piping downward toward the boiler at least 1/4 inch per foot. Install pipe supports every 5 feet on both the horizontal and vertical runs. Install a hanger support within 6 inches of any upturn in the piping. See [page 46](#) for general guidelines.
- Step 8** Insert the vent and air piping through the vertical penetrations and secure the termination fittings.
- Step 9** Maintain clearances shown above. Vent and air terminations must be fitted with a bird screen as shown. See [Figure 93, page 89](#) for part numbers.

## **DIRECT VENT — Vertical with separate pipes** *(continued)*

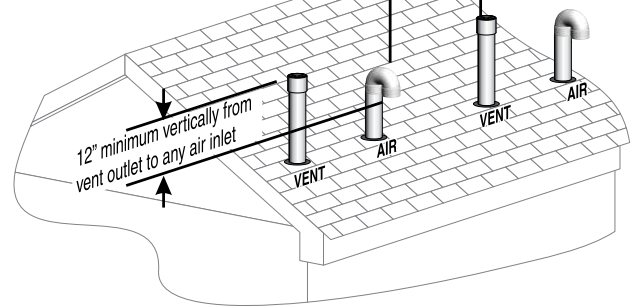
3. Space the air and vent holes to provide the minimum spacings shown in [Figure 49, page 41](#).
4. Follow all local codes for isolation of vent pipe when passing through floors, ceilings and roofs.
5. Provide flashing and sealing boots sized for the vent pipe and air pipe.

### **Termination and fittings**

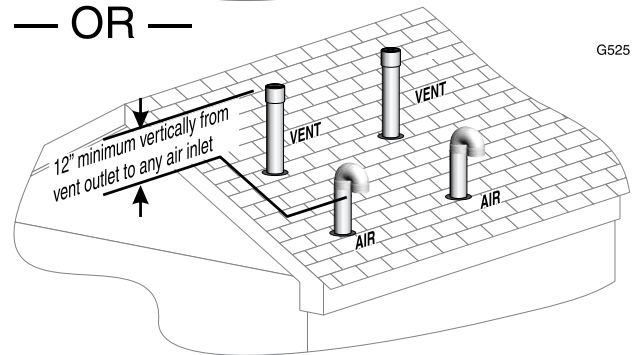
1. Prepare the vent termination elbow and the air termination elbow ([Figure 49, page 41](#)) by inserting bird screens. Two bird screens are supplied with the boiler.
2. The air piping must terminate in a down-turned 180-degree return bend as shown in [Figure 49, page 41](#). Locate the air inlet pipe no further than 12 inches from the center of the vent pipe. This placement avoids recirculation of flue products into the combustion air stream.
3. The vent piping must terminate in an up-turned coupling as shown in [Figure 49, page 41](#). The top of the coupling must be at least 1 foot above the air intake. The air inlet pipe and vent pipe can be located in any desired position on the roof, but must always be no further than 12 inches apart and with the vent termination at least 1 foot above the air intake.
4. Maintain the required dimensions of the finished termination piping as shown in [Figure 49, page 41](#).
5. Do not extend exposed vent pipe outside of building more than shown in this document. Condensate could freeze and block vent pipe.

**Figure 50** Terminations for multiple boilers

12" minimum between edge of air intake pipe and adjacent vent pipe from another boiler



— OR —



G525



**WARNING** Also maintain maximum center-to-center distances between the vent and air pipes for each boiler as shown in [Figure 49, page 41](#).

# DIRECT VENT — Vertical with 3” concentric

## Allowable vent/air pipe materials & lengths

1. The 3.00” concentric termination kit must be purchased separately.

**▲WARNING** Use only the vent materials and kits listed in [Figure 40, page 33](#). Provide pipe adapters if specified.

2. Locate the termination such that the total air piping and vent piping from the boiler to the termination will not exceed the maximum length given in [Figure 39, page 32](#).
3. This termination requires a 45-degree elbow that is not supplied with the termination kit. The maximum vent/air pipe lengths include allowance for this elbow.

## Determine termination location

Locate the concentric vent/air termination using the following guidelines:

1. The concentric vent/air assembly must terminate as shown in [Figure 52, page 44](#).
2. The termination must comply with the clearances and limitations shown in [Figure 41, page 35](#).
3. Locate the termination so it is not likely to be damaged by foreign objects, such as stones or balls, or subject to buildup of leaves or sediment.

## Multiple vent/air terminations

1. When terminating multiple GWC boilers, install the concentric vent/air termination assemblies as described in this manual.

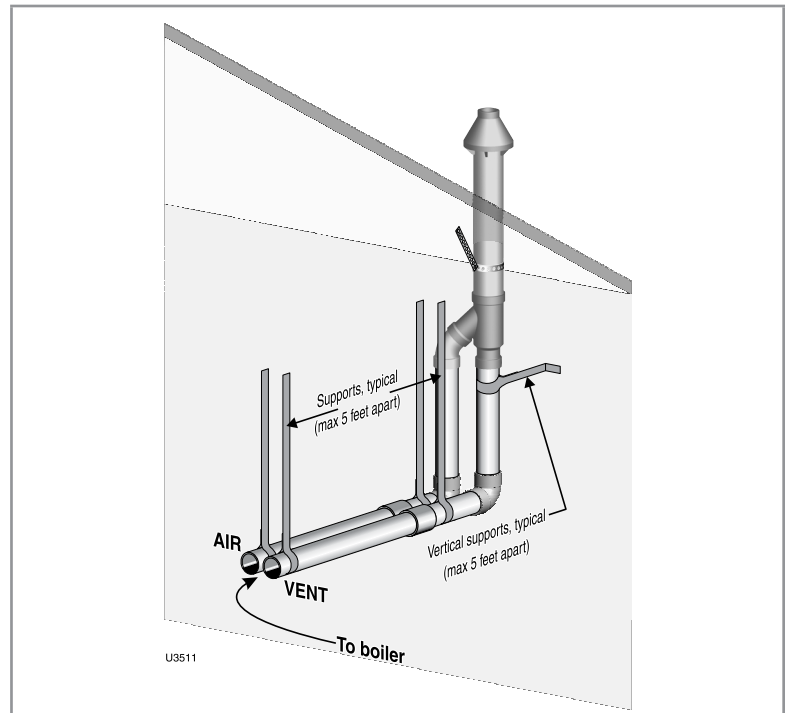
**▲WARNING** All vent outlets must terminate at the same height to avoid possibility of severe personal injury, death or substantial property damage.

2. Place roof penetrations to obtain minimum of 12 inches between centers of adjacent vent pipe of another boiler for U. S. installations (see [Figure 52, page 44](#)).
3. The air inlet of a GWC boiler is part of a direct vent connection. It is not classified as a forced air intake with regard to spacing from adjacent boiler vents.

## Prepare roof penetrations

1. Roof penetration hole:
  - a. Cut a 5-inch diameter hole to clear the 4½-inch termination outside diameter.
  - b. Insert a galvanized metal thimble in the vent pipe hole.
2. Follow all local codes for isolation of vent pipe when passing through floors, ceilings and roofs.
3. Provide flashing and sealing boots sized for the concentric termination outside diameter.

**Figure 51 INSTALLATION SEQUENCE — Concentric vertical**



- Step 1** Read and follow all instructions in this manual. **DO NOT proceed with vent/air installation until you have read [page 29](#) through [page 35](#).**
- Step 2** Install the boiler in a location that allows proper routing of all vent and air piping to the selected sidewall location.
- Step 3** Make sure the selected vertical termination location complies with [Figure 41, page 35](#). (Multiple boiler concentric terminations must also comply with [Figure 52, page 44](#).)
- Step 4** Use only the vent materials listed in [Figure 40, page 33](#). Provide pipe adapters where required.
- Step 5** Vent piping and air piping lengths must not exceed the values shown in [Figure 39, page 32](#).
- Step 6** The concentric termination must be assembled and installed before piping from the boiler to the termination.
- Step 7** Prepare the vertical penetration(s) — assemble the concentric termination kit and secure the penetration components as instructed in this section. Provide the supports indicated and mount the termination assembly. See "Prepare roof penetrations" on this page and "[Mount concentric termination](#)" on page 44.
- Step 8** Install vent and air piping between the boiler and the concentric vent/air termination. Slope horizontal piping downward toward the boiler at least 1/4 inch per foot. See [page 46](#) for general guidelines.
- Step 9** Install pipe supports every 5 feet on both the horizontal and vertical runs.
- Step 10** Install a hanger support within 6 inches of any upturn in the piping.

# DIRECT VENT — Vertical with 3” concentric *(continued)*

## Mount concentric termination

1. Mount the termination as shown in Figure 53.
2. Support the concentric vent/air termination at the roof penetration as shown in Figure 53.
  - The supports/bracing used must support the termination assembly to prevent vertical slippage or sideways movement.
  - The clamps used on the outside of the termination pipe must not cut into the pipe or contain sharp edges that could cause a crack to form.

**⚠ WARNING** The vent and air piping must be securely supported, and must not rest its weight on the boiler fittings. DO NOT drill or screw into either the vent pipe or air pipe. Failure to properly support the vent and air piping could result in vent piping damage, resulting in possible severe personal injury, death or substantial property damage.

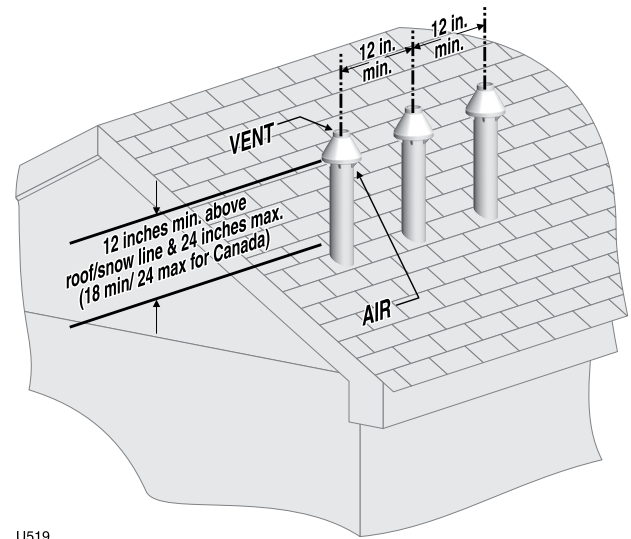
**⚠ WARNING** When inserting the partially-assembled termination kit through the roof penetration, wrap plastic or other protection over the end of the exposed assembly to prevent debris from entering the pipes. If the air passages become blocked, the boiler will not operate. Once the rain cap has been cemented to the assembly, there is no way to correct the problem. The assembly would have to be replaced if it were cut to be removed and cleaned. Altering the assembly in any way could result in severe personal injury or death due to toxic flue product emissions.

**⚠ WARNING** When using AL294C stainless vent pipe, use the vent pipe manufacturer’s adapter when connecting to the concentric vent attachment.

**⚠ WARNING** Do not connect any other appliance to the vent pipe or multiple boilers to a common vent pipe.

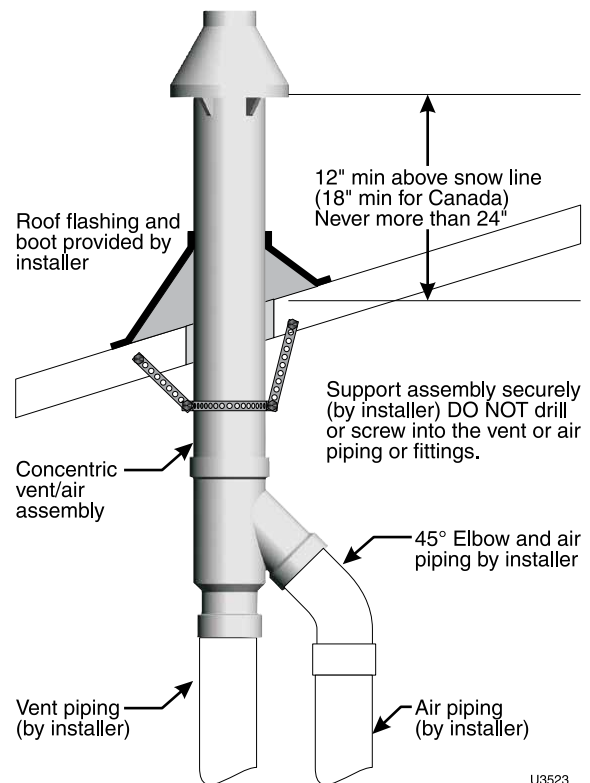
3. After the assembly has been positioned in the roof opening and all supports have been attached, install a bird screen (two bird screens are supplied with the boiler) and rain cap as follows:
  - a. Place the bird screen on the end of the inner pipe as in [Figure 54, page 45](#).
  - b. Cement the rain cap in place.

**Figure 52** Vertical termination — 3” PVC concentric — single or multiple boilers



U519

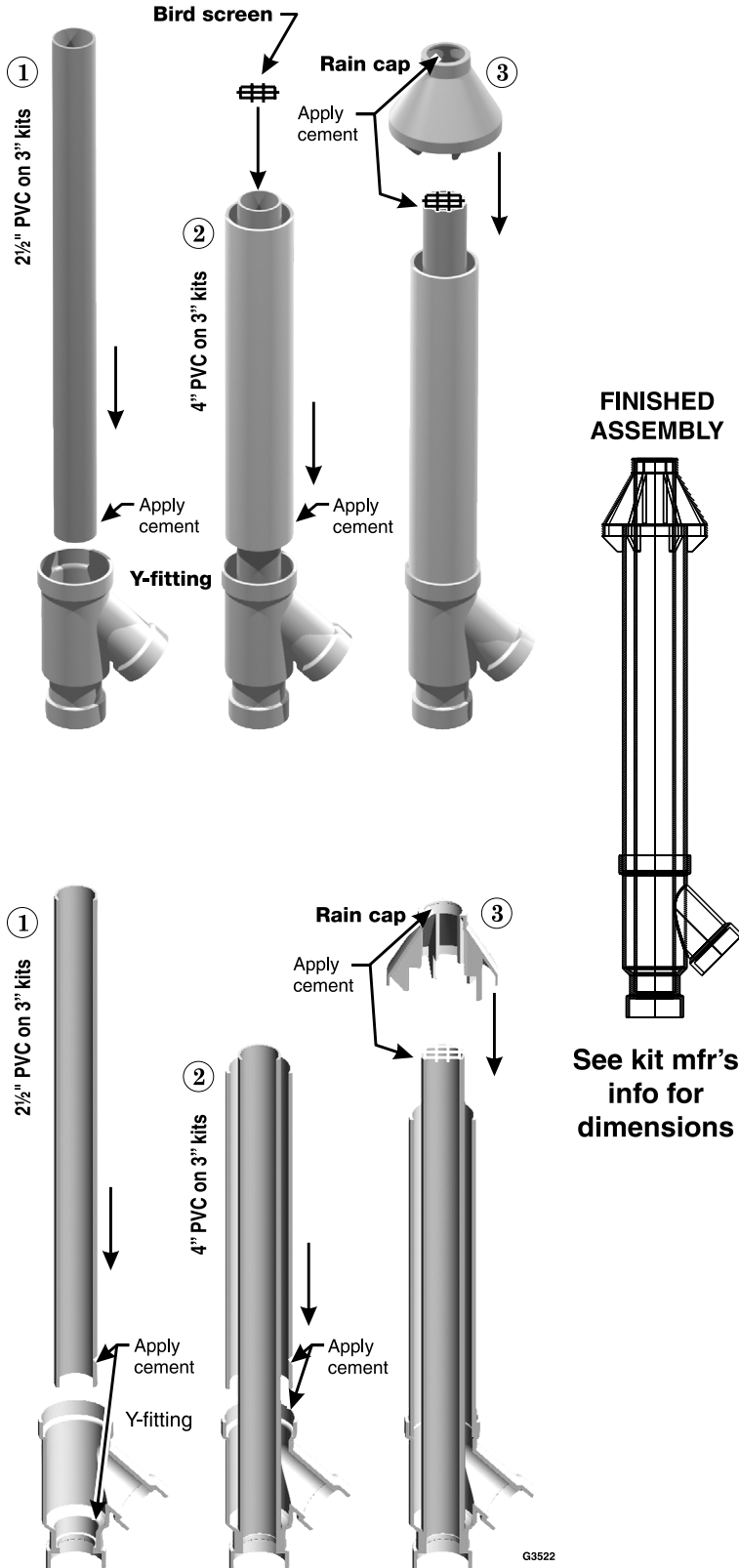
**Figure 53** 3” PVC concentric termination supports





# Concentric termination assembly (sidewall or vertical)

**Figure 54** 3" PVC concentric termination assembly — DO NOT attach the rain cap until the termination has been inserted through the roof or wall and all supports have been installed.



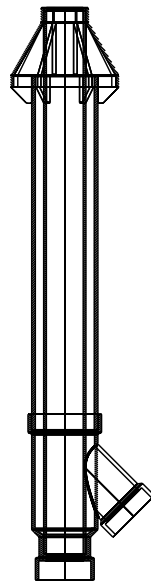
## Assembling concentric termination

1. See [Figure 54, page 45](#) for the details of the termination assembly.
2. Prepare the bird screen (two bird screens are supplied with the boiler). Cut the bird screen to size if required. If the bird screen must be trimmed, cut the bird screen to fit the outside diameter of the PVC inner pipe supplied with the termination kit.
3. Partially assemble the vent termination kit in the sequence shown in Figure 54.

**WARNING** DO NOT install the rain cap and bird screen until the assembly has been inserted through the roof (or sidewall) and all supports have been installed. Follow instructions to cover the end of the assembly with plastic before inserting through the roof penetration to prevent debris from blocking the air passages.

4. Use the following procedures to prepare termination components and cement together.
5. Deburr inside and outside of pipe ends.
6. Chamfer outside of each pipe end to ensure even cement distribution when joining.
7. Clean all pipe ends and fittings.
8. Dry thoroughly.
9. Dry assemble entire vent or air piping to ensure proper fit before assembling any joint.
10. For each joint:
  - a. Handle fittings and pipes carefully to prevent contamination of surfaces.
  - b. Apply primer liberally to both joint surfaces — pipe end and fitting socket.
  - c. While primer is still damp, lightly apply approved cement to both surfaces in a uniform coating.
  - d. Apply a second coat to both surfaces. Avoid using too much cement on sockets to prevent cement buildup inside.
  - e. With cement still wet, insert pipe into fitting, twisting ¼ turn. Make sure pipe is fully inserted.

**FINISHED ASSEMBLY**



See kit mfr's info for dimensions

G3522

# Vent and air piping and boiler connections

## DIRECT EXHAUST & DIRECT VENT

### Follow termination instructions

1. Read and follow all instructions for the termination type used before proceeding with this page.

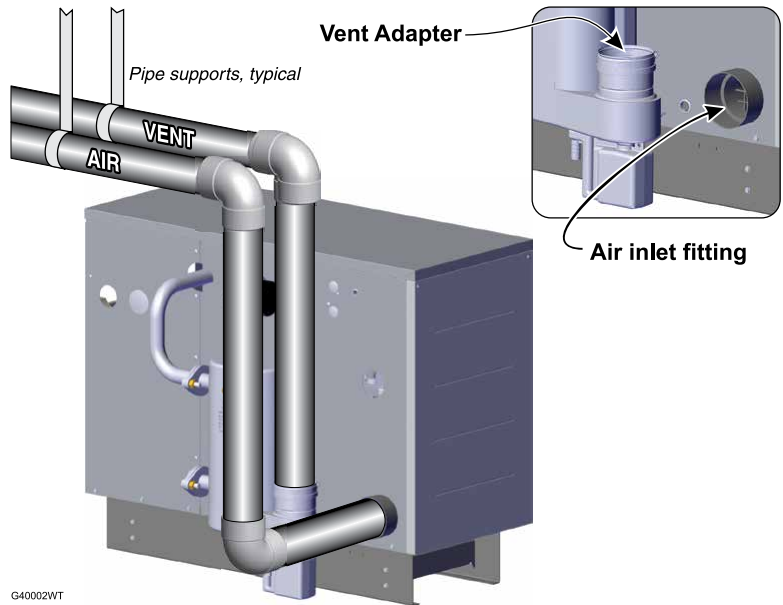
### Installing vent and air piping

1. Work from the boiler to vent or air termination. Do not exceed the lengths given in the previous pages for either the air or vent piping.
  - a. Provide polypropylene or stainless pipe to PVC adapters obtained from the stainless pipe manufacturer for connections at the boiler and at terminations, when required.
2. See Figure 55 for attaching vent (and air) pipes at the boiler.
3. Cut pipe to required lengths.
4. Deburr inside and outside of pipe ends.
5. Chamfer outside of each pipe end to ensure even cement distribution when joining.
6. Clean all pipe ends and fittings. Dry thoroughly.
7. Dry assemble entire vent or air piping to ensure proper fit before assembling any joint.
8. For each joint:
  - a. Handle fittings and pipes carefully to prevent contamination of surfaces.
  - b. Apply primer liberally to both joint surfaces — pipe end and fitting socket.
  - c. While primer is still damp, lightly apply approved cement to both surfaces in a uniform coating.
  - d. Apply a second coat to both surfaces. Avoid using too much cement on sockets to prevent cement buildup inside.
  - e. With cement still wet, insert pipe into fitting, twisting ¼ turn. Make sure pipe is fully inserted.
  - f. Wipe excess cement from joint. Check joint to be sure a smooth bead of cement shows around the entire joint.
9. Maintain minimum clearance of 3/16 inch between vent pipe and any combustible wall or material.
10. Seal wall or floor penetration openings following local code requirements.

## DIRECT EXHAUST ONLY

**▲WARNING** **DIRECT EXHAUST installations — air inlet opening protection:** Insert one of the bird screens supplied with the boiler into the air inlet fitting to prevent foreign objects from entering the opening.

Figure 55 Boiler vent and air connections



G40002WT

**▲WARNING** AL294C vent pipe — If using AL294C stainless vent pipe, you must install an AL29-4C stainless vent starter at the boiler vent connection (and at the termination if using the PVC concentric termination). Use only the starter made by the vent pipe manufacturer. See [Replacement parts](#) section for available AL29-4C stainless vent starters.

**▲WARNING** For polypropylene applications, comply with any additional requirements in the vent system manufacturer's instructions. Provide 3" PVC-to-PP transition pieces at the boiler vent and air connections. PP adapter must have smooth, straight section of pipe to insert into the boiler vent and air connections and must fit and seal tightly. PP adapters with their own seal which would interfere with the internal seal of the boiler vent or air connections must not be used. Refer to page 91, in this manual for a list of compliant adapters. Install a locking collar at every joint.

1. PVC/ABS pipe — Clean and deburr inside and outside of other both ends of air and vent pipes. Chamfer boiler end of vent pipe for ease of insertion.

**▲WARNING** The vent pipe end must be smooth and chamfered to prevent possible damage to sealing gasket in vent pipe adapter.

2. Inspect vent adapter and air inlet fitting (above) — verify no obstructions or foreign objects inside.
3. Vent pipe
  - Loosen vent adapter clamp screw.
  - Measure 3½ inches from boiler end of vent pipe and make a mark with felt-tip pen.
  - Apply small amount of silicon grease to boiler end of vent pipe to ease insertion.
  - Insert vent pipe into adapter to depth of felt tip pen mark.
  - Secure vent pipe by tightening the adapter clamp securely. Do not overtighten. The seal is accomplished with the internal gasket. The clamp is only to hold the pipe in place.

**▲WARNING** Do not apply excessive force or bend the vent adapter or vent pipe when inserting. The adapter or seal could be damaged.

4. Air pipe
  - Clean the outer surface of the boiler end of the air pipe.
  - Apply silicon sealant (Dow Corning 732™ or equivalent) to the outside end of the air pipe and to the inside of the air inlet fitting.
  - Insert the air pipe into the air inlet fitting and give a 1/4 turn to ensure coverage. Support until the sealant has dried.

# DIRECT EXHAUST — Boiler room air openings

## Combustion air provision

The GWC boiler can use inside air if no contaminants are present in the boiler space. (If contaminants are likely to be present, install the boiler as a direct vent appliance, using the appropriate vent instructions in this manual.)

The boiler room must be fitted with combustion air openings large enough to provide air for all appliances in the room. Use the following information to size the openings. Ensure the installation complies with all applicable codes and standards.

Where the GWC boiler shares a space with other appliances, the combustion air openings must be sized to handle the combined requirements of all appliances in the space.

## Sizing combustion air openings

Air openings provide for ventilation (as well as combustion air) to prevent overheating of the boiler controls and boiler space. Air is also needed for other appliances located in the same space.

Use [Figure 56, page 48](#), selecting the appropriate installation conditions.

**▲WARNING** Air openings must be sized to handle all appliances and air movers (exhaust fans, etc.) using the air supply.

The sizing given in [Figure 56, page 48](#) is based on the National Fuel Gas Code, ANSI Z223.1, allowing adequate air openings for gravity-vented gas appliances (Category I) in addition to that needed for the GWC boiler.

The air openings recommended in [Figure 56, page 48](#) will allow adequate ventilation and combustion air provided the boiler room is not subjected to negative pressure due to exhaust fans or other mechanical ventilation devices.

Refer to the National Fuel Gas Code for dealing with other conditions.

## Free area — louver allowance

The free area of openings means the area after reduction for any installed louvers or grilles. Be sure to consider this reduction when sizing the air openings.

## Special considerations

### Tight construction

ANSI Z223.1 defines unusually tight construction where:

1. Walls and ceilings exposed to the outside atmosphere have a continuous water vapor retarder with a rating of 1 perm or less with openings gasketed, and . . .
2. Weather-stripping has been added on openable windows and doors, and . . .
3. Caulking or sealants are applied to areas such as joints around windows and door frames, between sole plates and floors, between wall-ceiling joints, between wall panels, at penetrations for plumbing, electrical, and gas lines, and in other openings.

For buildings with such construction, provide air openings into the building from outside, sized per the appropriate case in [Figure 56, page 48](#) if appliances are to use inside air for combustion and ventilation.

### Exhaust fans and air movers

The appliance space must never be under a negative pressure unless all appliances are installed as direct vent. Always provide air openings sized not only to the dimensions required for the firing rate of all appliances, but also to handle the air movement rate of the exhaust fans or air movers using air from the building or space.

### Motorized air dampers

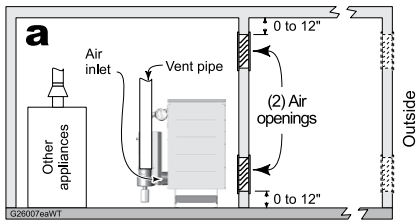
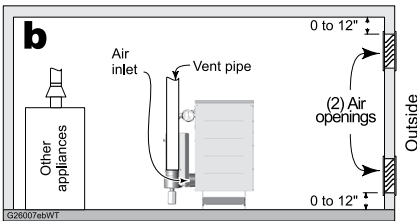
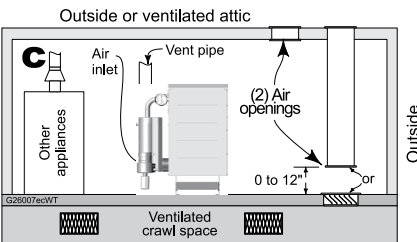
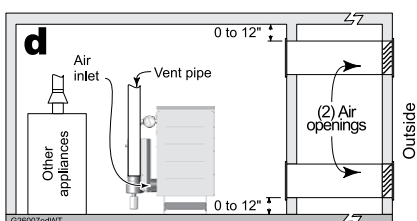
If the air openings are fitted with motorized dampers, electrically interlock the damper to:

- Prevent the boiler from firing if the damper is not fully open.
- Shut the boiler down should the damper close during boiler operation.

To accomplish this interlock, wire an isolated contact (proving the damper open) in series with the thermostat input to the boiler. The boiler will not start if this contact is open, and will shut down should it open during operation.

# DIRECT EXHAUST — Boiler room air openings *(cont.)*

**Figure 56** MINIMUM combustion air openings for direct exhaust applications — ALL OPENING SIZES ARE FREE AREA

<p><b>⚠ WARNING</b> The GWC boiler CANNOT be in the same space with other appliances if clearances around the GWC are less than the recommended service clearances shown in <a href="#">Figure 2, page 6</a>.</p>		<p><i>If the space is smaller than <a href="#">Figure 2, page 6</a>, provide openings ONLY as shown on <a href="#">page 7</a> and <a href="#">Figure 4, page 7</a>.</i></p>	
Air openings	GWC boiler WITH other appliances in room	GWC boiler WITHOUT other appliances in room	
<p>The required air opening sizes below are FREE AREA, after reduction for louver obstruction. Note the exception below for large spaces.</p>			
 <p><b>a</b></p>	<p><b>TWO</b> openings, each at least: <b>1 square inch per 1,000 Btuh</b> of all appliances in the room</p>	<p><b>TWO</b> openings, each at least: <b>1 square inch per 4,000 Btuh</b> of all appliances in the room</p>	
 <p><b>b</b></p>	<p><b>TWO</b> openings, each at least: <b>1 square inch per 4,000 Btuh</b> of all appliances in the room — OR — <b>ONE</b> opening **, each at least: <b>1 square inch per 3,000 Btuh</b> of all appliances in the room</p>	<p><b>TWO</b> openings, each at least: <b>1 square inch per 4,000 Btuh</b> of all appliances in the room — OR — <b>ONE</b> opening **, each at least: <b>1 square inch per 3,000 Btuh</b> of all appliances in the room</p>	
 <p><b>c</b></p>	<p><b>TWO</b> openings, each at least: <b>1 square inch per 4,000 Btuh</b> of all appliances in the room — OR — <b>ONE</b> opening **, each at least: <b>1 square inch per 3,000 Btuh</b> of all appliances in the room</p>	<p><b>TWO</b> openings, each at least: <b>1 square inch per 4,000 Btuh</b> of all appliances in the room — OR — <b>ONE</b> opening **, each at least: <b>1 square inch per 3,000 Btuh</b> of all appliances in the room</p>	
 <p><b>d</b></p>	<p><b>TWO</b> openings, each at least: <b>1 square inch per 2,000 Btuh</b> of all appliances in the room — OR — <b>ONE</b> opening **, each at least: <b>1 square inch per 3,000 Btuh</b> of all appliances in the room</p>	<p><b>TWO</b> openings, each at least: <b>1 square inch per 2,000 Btuh</b> of all appliances in the room — OR — <b>ONE</b> opening **, each at least: <b>1 square inch per 3,000 Btuh</b> of all appliances in the room</p>	
<p><b>** NOTICE:</b> <b>Requirements for using the SINGLE air opening option.</b></p>	<p>A single combustion air opening can be used for cases <b>b</b>, <b>c</b> or <b>d</b> above, sized as listed, provided that:</p> <ul style="list-style-type: none"> <li>• The single opening must communicate directly to the outdoors or to a space that communicates directly with outdoors (NOT to an interior space).</li> <li>• The top of the opening must be within 12 inches of the ceiling.</li> <li>• The free area of the opening must be at least equal to the sum of the areas of all equipment vent connectors in the space.</li> </ul>		
<p><b>SPECIAL EXCEPTION FOR LARGE SPACES:</b></p>	<p>NO combustion air openings are needed when the boiler (and other appliances) are installed in a space with a volume NO LESS than 50 cubic feet per 1,000 Btuh of all appliances in the space. That is, total the input of all appliances in MBH (1,000's of Btuh), then multiply this total times 50. The building MUST NOT be of tight construction.</p> <p>Example: For a total input of 500 MBH (500,000 Btuh), the minimum volume would be 50 x 500 = 25,000 cubic feet (3,125 square feet if ceiling height is 8 feet).</p>		

# DIRECT EXHAUST — Sidewall

**NOTICE** DO NOT sidewall vent DIRECT EXHAUST APPLICATIONS at altitudes above 5,500 feet. Sidewall venting is only allowed for DIRECT VENT applications (ducted combustion air) at altitudes above 5,500 feet.

## Allowable vent/air pipe materials & lengths

**WARNING** Use only the vent materials and kits listed in Figure 40, page 33. Provide pipe adapters if specified.

1. Locate the termination such that the total air piping and vent piping from the boiler to the termination will not exceed the maximum length given in Figure 39, page 32.

## Determine termination location

1. The air and vent terminations must be installed as shown in Figure 57 and in Figure 58, page 50.
2. The terminations must comply with clearances and limitations shown in Figure 41, page 35.
3. Locate the termination so it is not likely to be damaged by foreign objects, such as stones or balls, or subject to buildup of leaves or sediment.

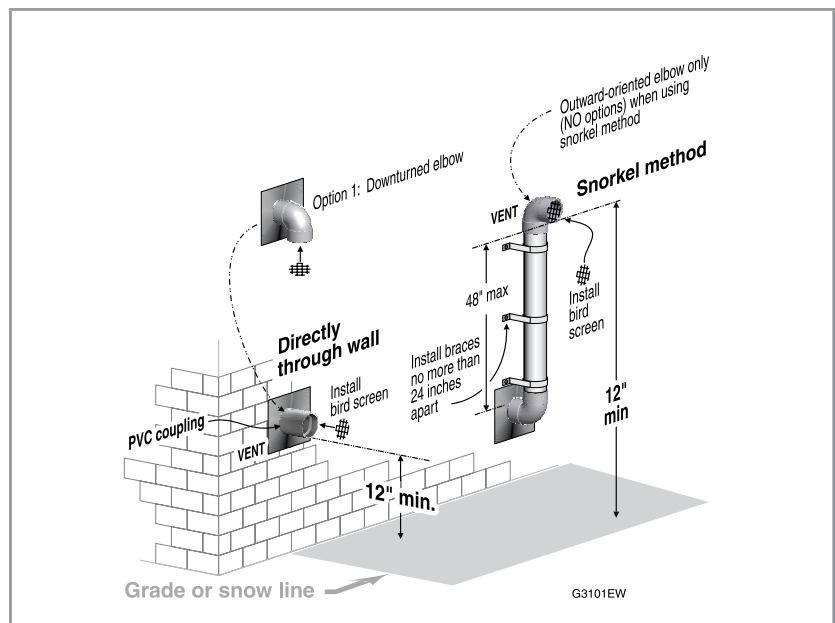
## Multiple vent/air terminations

1. Terminate each vent of multiple direct exhaust GWC boilers as described in this manual for individual vents.
2. Space terminations as required for best installation practices and required maintenance.
  - a. External venting greater than 4 feet requires an enclosure around the vent pipe. The vent termination must exit through the enclosure as shown in Figure 57, page 49, maintaining all required clearances.

## Prepare wall penetration

**NOTICE** In addition to the vent materials, this installation requires two (2) sidewall termination plates and one (1) bird screen, unless using an AL29-4C termination fitting with integral screen. Sidewall plates can be made by cutting W-T sidewall plates in half or can be fabricated and supplied by the installer. Two two-hole plates and two bird screens are supplied with the boiler for use with 3" PVC pipe.

Figure 57 INSTALLATION SEQUENCE — Direct exhaust sidewall



- Step 1** Read and follow all instructions in this manual. **DO NOT proceed with vent installation until you have read page 29 through page 35, page 47 and page 48.**
- Step 2** Install the boiler in a location that allows proper routing of vent piping to the selected sidewall location.
- Step 3** Make sure the selected sidewall termination location complies with Figure 41, page 35.
- Step 4** Use only the vent materials listed in Figure 40, page 33. Provide pipe adapters where required. Vent piping length must not exceed the value shown in Figure 39, page 32. **In addition to the vent materials, this installation requires two (2) sidewall termination plates and one bird screen, unless using an AL29-4C termination fitting with integral screen.** Sidewall plates can be made by cutting a W-T sidewall plate in half or can be fabricated and supplied by the installer. Two two-hole plates and two bird screens are supplied with the boiler.
- Step 5** Prepare the sidewall penetration and secure the sidewall plate as instructed in this section. See "Prepare wall penetration" on this page and "Termination and fittings" on page 50.
- Step 6** The vent piping can terminate using a coupling or down-turned elbow, or snorkeled and terminated with an elbow. See illustration above. The coupling or elbow must butt against the outside plate.
- Step 7** Install vent piping between the boiler and the sidewall opening. Slope horizontal piping downward toward the boiler at least 1/4 inch per foot. See page 46 for general guidelines.
- Step 8** Install pipe supports every 5 feet on both the horizontal and vertical runs. Install a hanger support within 6 inches of any upturn in the piping.
- Step 9** Attach the vent termination exterior piping, if used: Use any of the configurations shown above, as needed to ensure clearance above grade or snow line.
- Step 10** The vent pipe may run up as high as 4 feet with no enclosure. The vent pipe must be secured with braces, and all clearances and lengths must be maintained. Space braces no further than 24 inches apart.
- Step 11** External venting greater than 4 feet requires an insulated enclosure around the vent and air pipes. The vent and air terminations must exit through the enclosure as shown in the illustration above, maintaining all required clearances.



# DIRECT EXHAUST — Sidewall *(continued)*

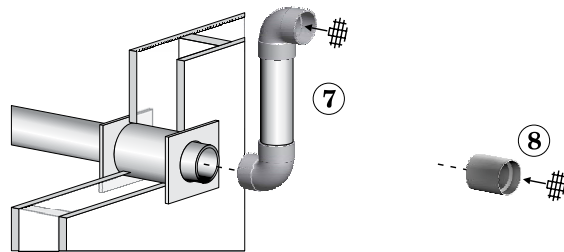
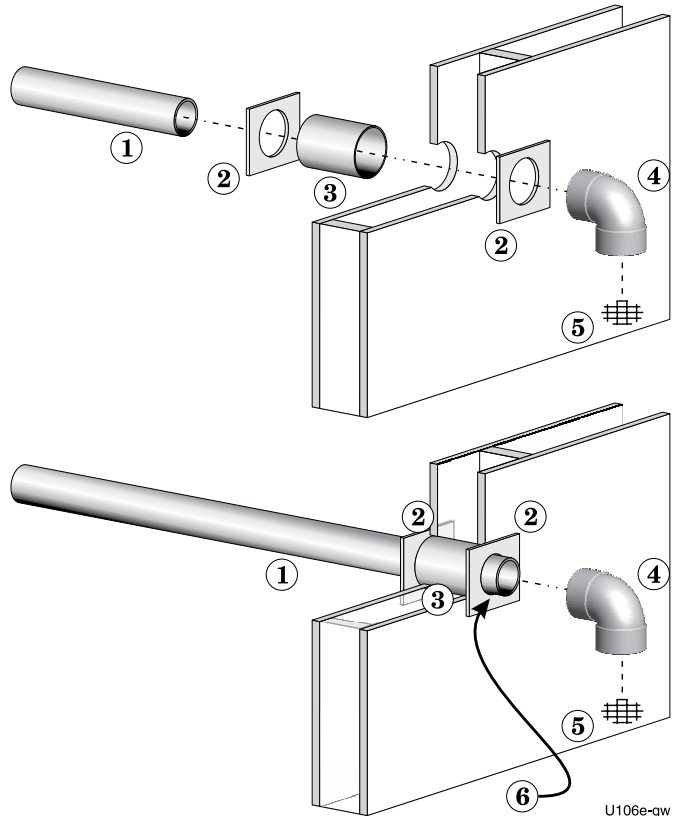
**NOTICE** Where the vent penetrates an outside wall, the annular space around the penetration must be permanently sealed using approved materials to prevent entry of combustion products into the building.

1. Wall penetration:
  - a. Cut a rough opening large enough to clear the diameter of the metal thimble used.
  - b. The metal plates can be field fabricated or can be made by cutting a W-T sidewall termination plate in half — two 2-hole plates are supplied with the boiler.
  - c. The W-T plate hole diameters are 3.14" for holes as is. Use as is for 3" AL29-4C pipe. Remove knockout to provide 3 7/8" hole for 3" PVC pipe.
  - d. If field fabricating the plates, the hole diameters in the metal plates must be 3 7/8" for PVC pipe. For AL29-4C vent pipe and coupling (or elbow) — size hole large enough to clear vent pipe, but small enough to prevent the termination coupling (or elbow) from being pushed through.
  - e. Insert a galvanized metal thimble (by installer) in the vent pipe hole as shown in Figure 58.
2. Follow all local codes for isolation of vent pipe when passing through floors or walls.

### Termination and fittings

1. If using a coupling or elbow for the termination, prepare the vent termination fitting (Figure 58) by inserting a bird screen, unless using an AL29-4C termination fitting with integral screen. Bird screens are not supplied with the GWC boiler. Purchase separately from Williamson-Thermoflo. See [Figure 93, page 89](#) for part numbers.
2. You can install the vent termination using either of the configurations shown in [Figure 57, page 49](#).
3. Maintain the required dimensions of the finished termination piping as shown in [Figure 57, page 49](#).
4. Do not extend exposed vent pipe outside of the building more than shown in this document. Condensate could freeze and block vent pipe.

**Figure 58** DIRECT EXHAUST — Sidewall — termination assembly and termination options — all parts by installer except where shown otherwise



### LEGEND for Figure 58

- 1 Vent piping
- 2 Sidewall termination plates — two 2-hole plates are supplied with the boiler — one of these can be cut in half for use in direct exhaust venting or the plate can be field fabricated) — plate holes can be used as is for 3" AL29-4C vent pipe. Remove knockout to provide clearance hole for 3" PVC pipe.
- 3 Galvanized thimble
- 4 Vent termination elbow
- 5 Bird screen — two bird screens are supplied with each boiler
- 6 Extend vent pipe through outside plate enough to attach termination coupling (or elbow when snorkeled).
- 7 Snorkel option (to elevate vent termination) — requires bird screen (see [Figure 93, page 89](#) for part numbers)
- 8 Coupling option — requires bird screen — two bird screens are supplied with each boiler

# DIRECT EXHAUST — Vertical

## Allowable vent/air pipe materials & lengths

**WARNING** Use only the vent materials and kits listed in [Figure 40, page 33](#). Provide pipe adapters if specified.

1. Locate the termination such that the total air piping and vent piping from the boiler to the termination will not exceed the maximum length given in [Figure 39, page 32](#).

## Determine termination location

1. The vent terminations must be installed as shown in [Figure 59](#).
2. The terminations must comply with clearances and limitations shown in [Figure 41, page 35](#).
3. Locate the termination so it is not likely to be damaged by foreign objects, such as stones or balls, or subject to buildup of leaves or sediment.

## Multiple vent/air terminations

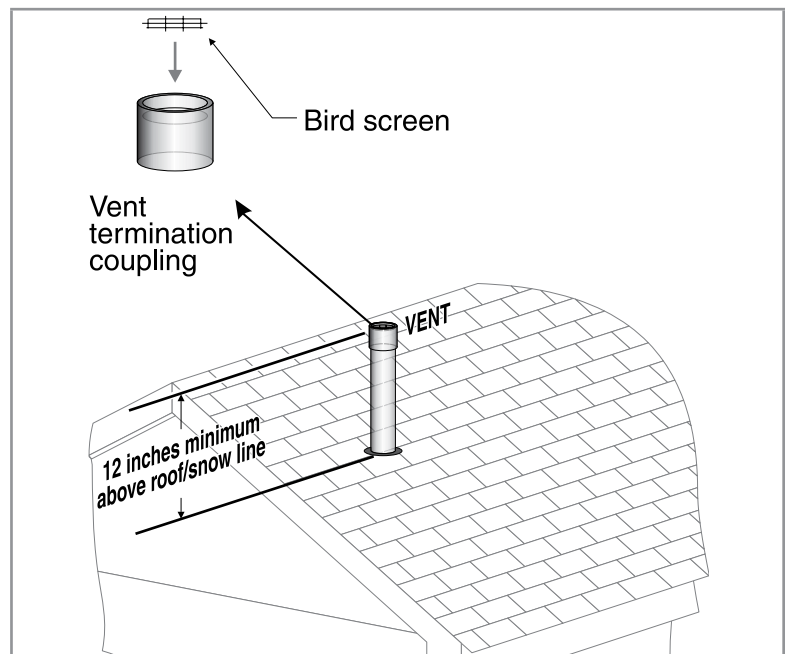
1. Terminate each vent of multiple direct exhaust GWC boilers as described in this manual for individual vents.
2. Space terminations as required for best installation practices and required maintenance.

## Prepare roof penetration

1. Vent pipe penetration:
  - a. Cut a hole for the vent pipe. For either combustible or noncombustible construction, size the vent pipe hole at least 0.5" larger than the vent pipe diameter.
  - b. Hole diameter in the metal plates must be at least 4" for PVC pipe. For AL29-4C or polypropylene vent pipe and coupling (or elbow) — size hole 0.5" larger than vent pipe outside diameter.
  - c. Insert a galvanized metal thimble in the vent pipe hole.
2. Follow all local codes for isolation of vent pipe when passing through floors, ceilings and roofs.
3. Provide flashing and sealing boots sized for the vent pipe and air pipe.

**NOTICE** Where the vent penetrates the roof, the annular space around the penetration must be permanently sealed using approved materials to prevent entry of combustion products into the building.

**Figure 59 INSTALLATION SEQUENCE — Direct exhaust vertical**



- Step 1** Read and follow all instructions in this manual. **DO NOT proceed with vent/air installation until you have read [page 29](#) through [page 35](#), [page 47](#) and [page 48](#).**
- Step 2** Install the boiler in a location that allows proper routing of all vent and air piping to the selected sidewall location.
- Step 3** Make sure the selected vertical termination location complies with [Figure 41, page 35](#).
- Step 4** Use only the vent materials listed in [Figure 40, page 33](#). Provide pipe adapters where required. Vent piping and air piping lengths must not exceed the values shown in [Figure 39, page 32](#).
- Step 5** Prepare the vertical penetration and secure penetration components as instructed in this section. See [“Prepare roof penetrations” on page 41](#) and [“Termination and fittings” on page 42](#).
- Step 6** The vent piping must terminate in a **coupling pointed upward** as shown above. Fit the coupling with a bird screen as shown. Two bird screens are supplied with the boiler.
- Step 7** Install vent and air piping between the boiler and the vertical termination. Slope horizontal piping downward toward the boiler at least 1/4 inch per foot. Install pipe supports every 5 feet on both the horizontal and vertical runs. Install a hanger support within 6 inches of any upturn in the piping. See [page 46](#) for general guidelines.
- Step 8** Maintain minimum clearance of 3/16 inch between vent pipe and any combustible wall or material.
- Step 9** Insert the vent piping through the vertical penetration and secure the termination coupling.
- Step 10** Maintain clearances shown above. Vent terminations must be fitted with a bird screen as shown. See [Figure 93, page 89](#) for part numbers.

# Gas piping

## Connecting gas supply piping

**⚠ DANGER** Do not connect gas supply to boiler or attempt to operate boiler unless the correct orifice plate has been verified or installed in accordance with [page 8](#).

Except where otherwise instructed in this manual, do not attempt to measure or adjust the outlet pressure setting of the gas valve. The gas valve is factory set to a slight negative pressure, and is operated as a negative-pressure regulated valve.

Failure to comply will result in malfunction of the boiler, causing severe personal injury, death or substantial property damage.

1. Refer to Figure 60 to connect gas supply to ½" NPT boiler gas connection. Use wrench to hold gas cock.
2. **Support piping with hangers**, not by boiler or its accessories.
3. Purge all air from gas supply piping.
4. Before placing boiler in operation, check boiler and test all gas connections for leaks.

**⚠ WARNING** Do not check for gas leaks with an open flame — use bubble test. Failure to use bubble test or check for gas leaks can cause severe personal injury, death or substantial property damage.

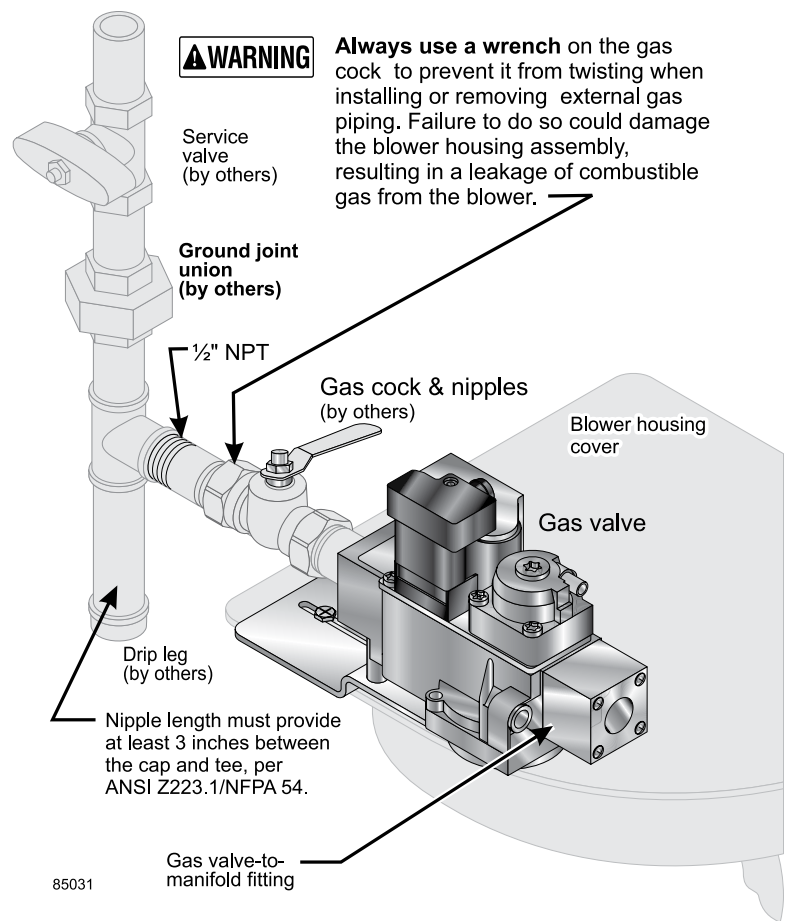
Close manual main shutoff valve during any pressure testing at less than 14" w.c.

Disconnect boiler and gas valve from gas supply piping during any pressure testing greater than 14" w.c.

5. **Use pipe dope compatible with propane gases.** Apply sparingly only to male threads of pipe joints so that pipe dope does not block gas flow.

**⚠ WARNING** Failure to apply pipe dope as detailed above can result in severe personal injury, death or substantial property damage.

Figure 60 Gas supply connection to GWC boiler gas manifold



### Honeywell VK8115V gas valve

- The Honeywell VK8115V gas valve operates with DC voltage.
- The black power plug that connects to the gas valve contains a DC rectifier.
- When the gas valve is energized, approximately 19 to 21 volts DC voltage should be measured across the two outer pins of the gas valve connector plug.
- There are 4 pins on the gas valve and 3 pin receptacles in the plug. Only the two outer pins are used for powering the valve.
- To measure voltage, remove the screw and slightly lift the plug until meter leads can touch end pins.
- Run boiler and test for proper voltage.
- Remember to re-install plug and tighten screw after testing.

**NOTICE** Continuity cannot be checked in the gas valve connector plug wiring due to the rectifier.

# Gas piping *(continued)*

## Natural Gas

1. Refer to Figure 61 for pipe length and diameter. Size gas supply piping for total flow to all connected appliances. For each GWC boiler, provide for the following gas flow (cfh = cubic feet per hour):

Boiler model	CFH natural gas
GWC-070	70
GWC-105	105
GWC-140	140
GWC-175	175

2. Inlet pressure required at gas valve inlet:
  - maximum 14" w.c.
  - minimum 3.5" w.c.

**WARNING** Install 100% lockup gas pressure regulator in supply line if inlet pressure exceeds 14" water column. Adjust for 14" w.c. maximum.

## Propane Gas

1. Contact gas supplier to size pipes, tanks and 100% lockup gas pressure regulator.
2. Adjust propane supply regulator provided by gas supplier for 14" w.c. maximum pressure.
3. Inlet pressure required at gas valve inlet:
  - maximum 14" w.c.
  - minimum 3.5" w.c.

**Figure 61** Pipe capacity for 0.60 specific gravity natural gas

Gas pipe length (feet)	Capacity in cubic feet of gas per hour Natural gas only, with specific gravity of 0.60 Based on pressure drop of 0.3" w.c.				
	Gas pipe diameter —				
	½"	¾"	1"	1¼"	1½"
10	132	278	520	1050	1600
20	92	190	350	730	1100
30	73	152	285	590	860
40	63	130	245	500	760
50	56	115	215	440	670
75	45	93	175	360	545
100	38	79	150	305	460
150	31	64	120	250	380

For additional gas pipe sizing information, refer to ANSI Z223.1 - latest edition.

# Wiring

**WARNING** For your safety, turn off electrical power supply at service entrance panel before making any electrical connections to avoid possible electric shock hazard. Failure to do so can cause severe personal injury or death.

## Installation must comply with:

National Electrical Code and any other national, state, provincial or local codes or regulations. Boiler must be electrically grounded as required by National Electrical Code ANSI/NFPA 70- latest edition. Boiler must be electrically grounded as required by National Electrical Code ANSI/NFPA 70 - latest edition.

**NOTICE** Wiring must be N.E.C. Class 1. Boiler must be electrically grounded as required by National Electrical Code ANSI/NFPA 70- latest edition.

To replace wiring, order complete harness assemblies from Williamson-Thermoflo. If any original wiring as supplied with boiler must be replaced, and a harness is not immediately available, use only type 105°C wire or equivalent. Use this wiring only as a temporary repair. Obtain a complete harness from Williamson-Thermoflo.

## Wiring connections

### Power wiring

Connect 120 VAC power wiring as shown in [Figure 62, page 54](#). The junction box is located on the inside left jacket panel.

**NOTICE** Watch the polarity of the circuit when connecting the 120 VAC power wiring. If the polarity is switched, the integrated boiler control will lockout. The IBC will flash the POWER light to indicate this problem. See the troubleshooting information beginning on [page 74](#).

### Additional limit controls

Wire additional limit controls (if used) as shown in [Figure 63, page 54](#).

### Thermostat(s)

Install thermostats on inside walls, away from influences of drafts, hot or cold water pipes, lighting fixtures, television, sun rays, or fireplaces.

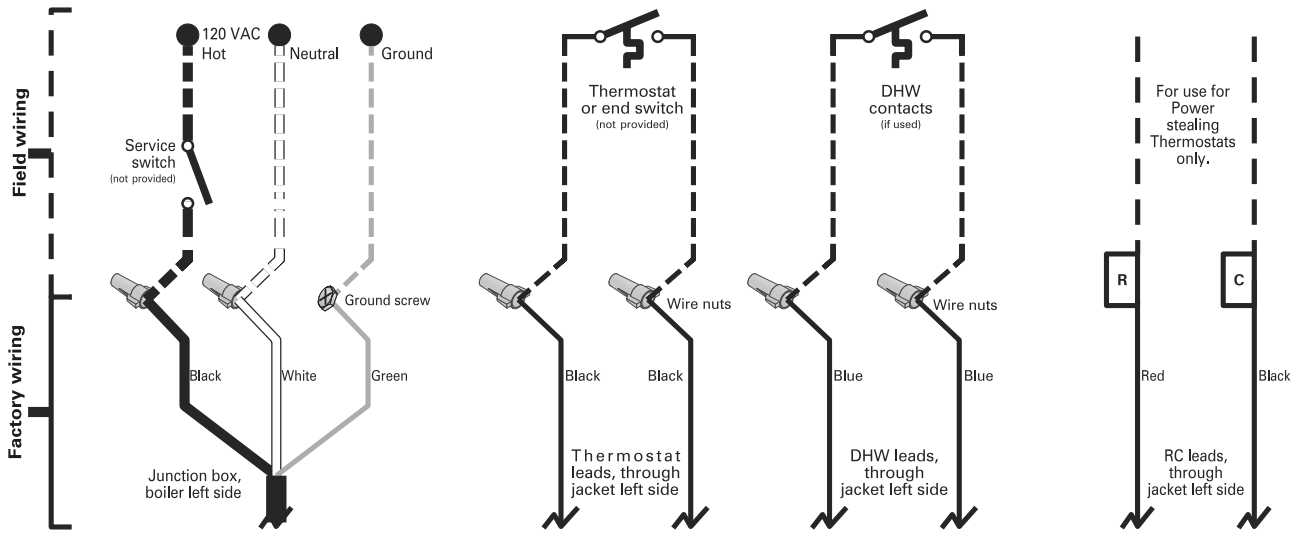
Follow instructions with thermostat. If it has a heat anticipator, set heat anticipator in thermostat to match power requirements of equipment connected to it (ignition control and gas valve, zone valve contacts, etc.). Wiring diagram on boiler gives setting for standard equipment (ignition control and gas valve).

Thermostat wires are labeled "T-T" on boiler. Remove label before connecting as shown in [Figure 62, page 54](#). Route this wiring through the hole in the upper left side jacket.

For zoned systems, substitute the zone valve end switches or circulator relay contacts for the thermostat contact shown in [Figure 62, page 54](#).

# Wiring *(continued)*

**Figure 62** Field wiring connections — service switch and thermostat (or end switch) provided by installer



**NOTICE** Boiler circulator is shipped loose, with wiring harness connected and wired to boiler. After circulator is piped, connect wires to circulator and secure harness conduit connector to circulator junction box.

85028+

## DHW

Connect the DHW aquastat as shown in wiring above. The Economy function of the control is not utilized with DHW input.

## R & C Connections

24 Vac should be used for power stealing thermostats only !

**NOTICE** Other devices requiring 24 Vac should have separate power supply.

## Wiring multiple zones

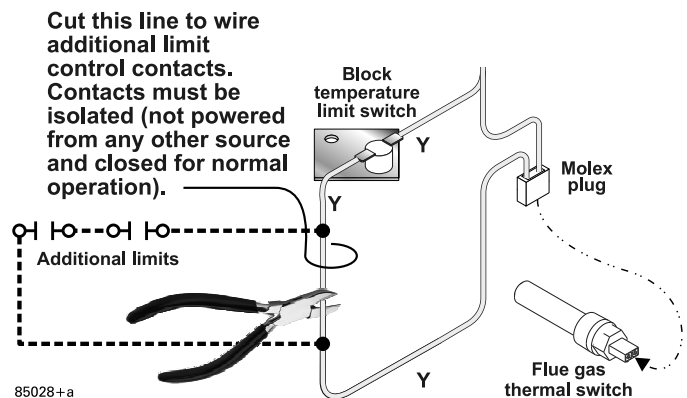
Refer to zone valve manufacturer’s literature for wiring and application. A separate transformer is required to power zone valves. Zoning with circulators requires a relay for each circulator.

**NOTICE** When using three-wire zone valves, take care to avoid mis-wiring. This can impose an additional 24 volts across the boiler control circuitry. The IBC will sense this problem and lockout. It will flash the POWER and TSTAT CIRC lights to indicate the problem. See label on IBC for explanation of lockout conditions. To verify before connecting to boiler, disconnect field thermostat wires at boiler. Place a voltmeter across the leads. Then watch the voltmeter as each zone is activated (by activating zone thermostat). There should never be a voltage reading across the two leads coming to the boiler. If you see a voltage reading, one or more zone valves is mis-wired.

## Carbon monoxide detector

- WARNING** • The installer must verify that at least one carbon monoxide alarm has been installed and is operational within a residential living space or home following the alarm manufacturer’s instructions and applicable local codes before putting the appliance into operation, and
- For Direct Exhaust units, a carbon monoxide detector is required in the same room and near the boiler. The carbon monoxide detector must be wired on the same electrical circuit as the boiler.

**Figure 63** Wiring location for additional limit controls





# Wiring *(continued)*

**Figure 64** Ladder wiring diagram

**WARNING** **Electrical shock hazard** — can cause severe injury or death. Disconnect power before installing or

**CAUTION** **DO NOT connect directly from 3-wire zone valves to the T-T terminals on the boiler.** When using 3-wire zone valves, install an isolation relay. Connect the zone valve end switch wires to the isolation relay coil. Connect the isolation relay contact across the boiler T-T terminals. Failure to comply can result in damage to boiler components or cause unreliable operation, resulting in possible severe property damage.

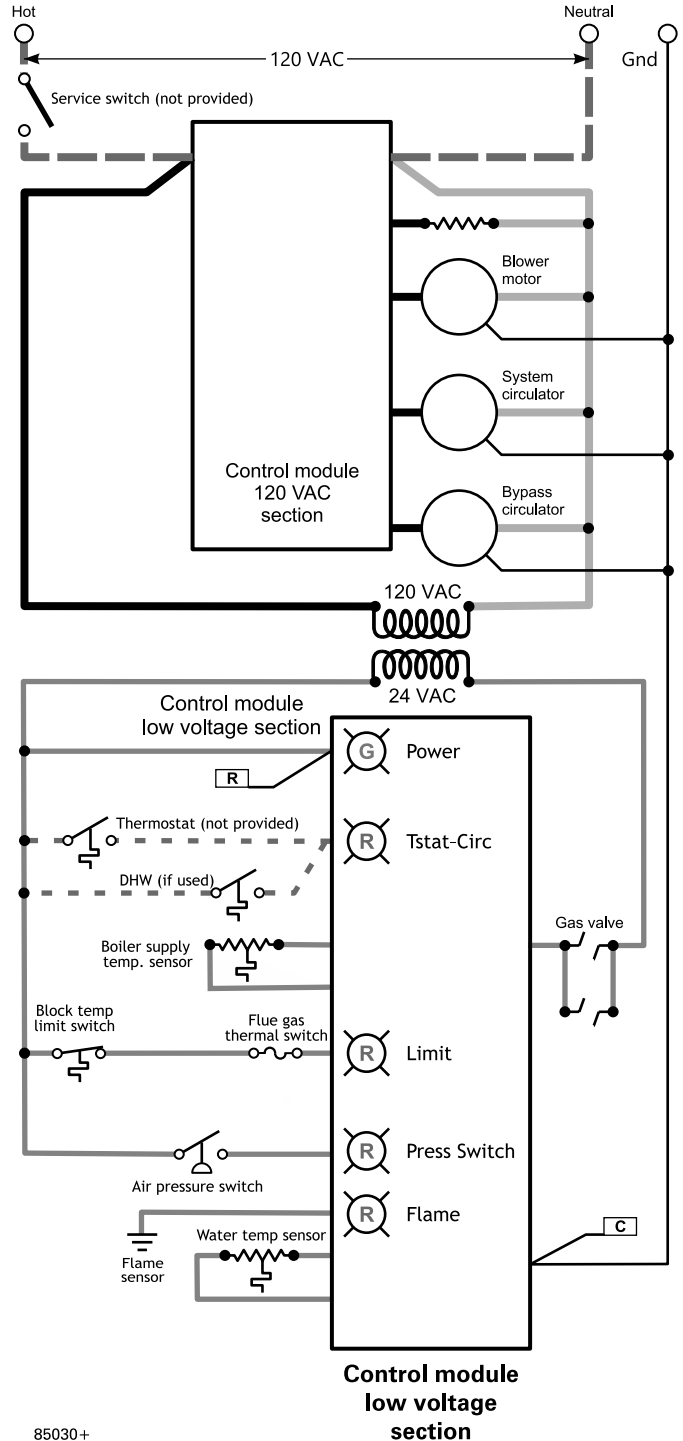
**NOTICE** All contacts are shown without power applied.

**Ladder diagram legend**

- — — — — 120 VAC hot field wiring
- — — — — 120 VAC neutral field wiring
- - - - - 24 VAC field wiring
- — — — — 120 VAC hot factory wiring
- — — — — 120 VAC neutral factory wiring
- — — — — Low voltage factory wiring
- — — — — Ground connectors

**Notes**

1. All wiring must be installed in accordance with:
  - a. U.S.A. — N.E.C. ANSI/NFPA70 - latest edition and any other national, state, or local code requirements.
2. All wiring must be:
  - a. U.S.A. — N.E.C. ANSI/NFPA70 - latest edition Class 1.
3. If any of the original wire as supplied with the appliance must be replaced, use type 105 °C or its equivalent.
4. Thermostat anticipator setting (single zone):  
0.1 AMP + Gas valve current
5. For multiple zoning, use either zone valves or circulators. Refer to the component manufacturer's instructions and GWC boiler manual for application and wiring suggestions.
6. Refer to control component instructions packed with the boiler for application information.



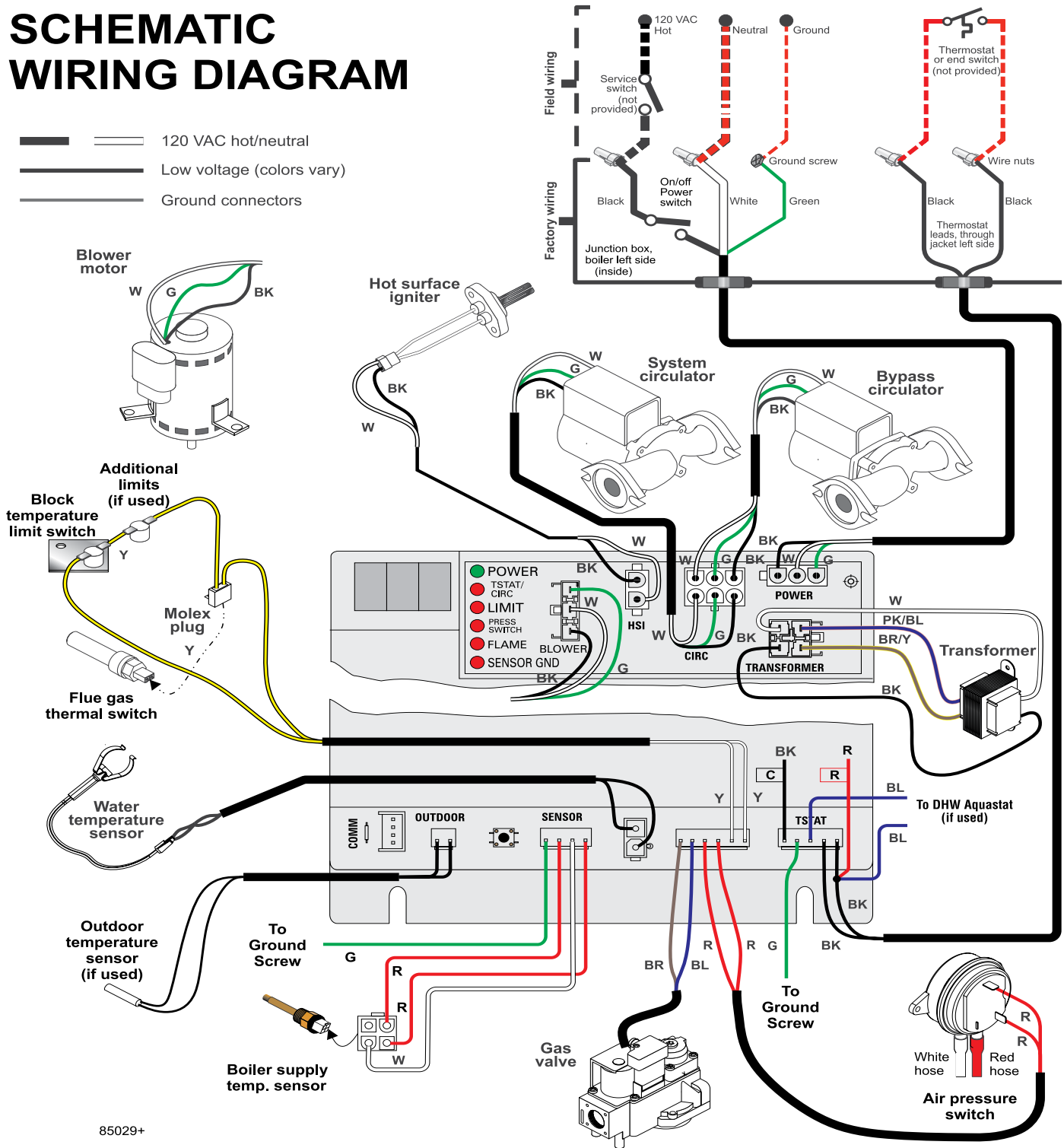
85030+

# Wiring (continued)

Figure 65 Schematic wiring diagram

## SCHEMATIC WIRING DIAGRAM

- 120 VAC hot/neutral
- Low voltage (colors vary)
- Ground connectors



85029+

# Start-up

Figure 67 Freeze protection guidelines

## Freeze protection (when used)

**WARNING** Follow these guidelines to prevent possibility of severe personal injury, death or substantial property damage:

**NEVER use automotive or standard glycol antifreeze, even glycol made for hydronic systems.** Use only freeze-prevention fluids recommended by Williamson-Thermoflo for application in GWC Boiler systems.

**Thoroughly flush any system that has used glycol before installing the new GWC boiler.**

**Review the material safety data sheet (MSDS) for the fluid used with the boiler owner and leave a copy for reference.** The MSDS contains information on potential hazards and first aid procedures for exposure or ingestion.

**Check antifreeze inhibitor level at least annually.** Glycol concentration and inhibitor levels may change over time. Add antifreeze to increase concentration if necessary. Add inhibitor as needed to bring to acceptable level, using inhibitor test kit to verify.

When using freeze protection fluid with automatic fill, **install a water meter to monitor water make-up.** Freeze protection fluid may leak before the water begins to leak, causing concentration to drop, reducing the freeze protection level.

**DO NOT exceed 50% antifreeze by volume.** Antifreeze moves more sluggishly than water and can interfere with heat transfer. At antifreeze concentrations higher than 50%, sludge can develop in the boiler, potentially causing damage to the heat exchanger.

**Clean the system before filling.** Always drain and flush the system thoroughly before filling with antifreeze. Sludge, iron oxide deposits and other sediment in the system inhibit flow and can cause rapid breakdown of inhibitors.

**WARNING** Eliminate all system leaks. Continual fresh makeup water will reduce boiler life. Minerals can build up in sections, reducing heat transfer, overheating cast iron, and causing section failure.

## NOTICE Clean system to remove sediment

1. You must thoroughly flush the system (without boiler connected) to remove sediment. Sediment can affect chemical treatment of the system and can damage system components.
2. For zoned systems, flush each zone separately through a purge valve. (If purge valves and isolation valves are not already installed, install them to properly clean the system.)
3. Flush system until water runs clean and you are sure piping is free of sediment.

## Water chemistry

**WARNING** **Using softened water** — Softened water can be corrosive. Pay special attention to the inhibitor level, following the instructions in this manual and those supplied with the inhibitor.

**Water chemistry must be within the limits listed in the following.** If the water differs in any way, consult a water treatment company to set up a treatment program to control the system water within these limits at the time of initial fill and throughout system operating life.

Failure to maintain water chemistry as specified can result in damage to the boiler and system components, resulting in potential for severe personal injury, death or substantial property damage.

### Water pH: Minimum = 7.0 | Maximum = 8.5

1. Maintain boiler water pH between 7.0 and 8.5. Check with litmus paper or have chemically analyzed by water treatment company.

### Hardness: Maximum = 6.0 grains per gallon

1. The water hardness must comply with the maximum value above. High hardness will cause scale accumulation.

### Chlorine: Maximum 200 ppm

1. Filling with chlorinated fresh water should be acceptable since drinking water chlorine levels are typically less than 5 ppm.
2. Do not use the boiler to directly heat swimming pool or spa water.
3. Do not fill boiler or operate with water containing chlorine in excess of 200 ppm.

## Antifreeze

1. Use only antifreeze listed by Williamson-Thermoflo as suitable for use with GWC boilers. A list of approved antifreeze products is available at [www.Williamson-Thermoflo.com](http://www.Williamson-Thermoflo.com).

## Start-up *(continued)*

- See [Replacement parts](#) at the end of this manual for Williamson-Thermoflo part numbers to obtain antifreeze through a Williamson-Thermoflo distributor.

### Use the correct amount of antifreeze

- Determine the freezing temperature needed (to protect against lowest likely temperature the system water will encounter).
- Find the antifreeze concentration by volume needed for this temperature from the antifreeze manufacturer's data on the antifreeze container.
- Add up the volume (gallons) of all system piping and components, including the expansion tank and boiler.
  - Boiler water content is listed in [Figure 106, page 101](#).
  - Remember to include expansion tank water content.
- Multiply this volume by the (percent) antifreeze needed to find the number of gallons of antifreeze to add.

### Fill and test water system

Fill system only after ensuring the water meets the requirements of this manual.

#### Purge air from water system

- Connect a hose to the purge valve (see purge/drain valves in piping diagrams beginning with [Figure 17, page 16](#). Route hose to an area where water can drain and be seen.
- Close the boiler or system isolation valve between the purge valve and fill connection to the system.
- Close zone isolation valves.
- Open quick-fill valve on cold water make-up line.
- Open purge valve.
- One zone at a time, open the isolation valves. Allow water to run through the zone, pushing out the air. Run until no noticeable air flow is present. Close the zone isolation valves and proceed with the next zone. Follow this procedure until all zones are purged.
- Close the quick-fill water valve and purge valve and remove the hose. Open all isolation valves. Watch that system pressure rises to correct cold-fill pressure.
- After the system has operated for a while, eliminate any residual air by using the manual air vents located throughout the system.
- If purge valves are not installed in system, open manual air vents in system one at a time, beginning with lowest floor. Close vent when water squirts out. Repeat with remaining vents.
- Open automatic air vent (diaphragm-type or bladder-type expansion tank systems only) one turn.
- Starting on the lowest floor, open air vents one at a time until water squirts out.
- Repeat with remaining vents.

#### Pressurize system

- Close manual and automatic air vents and boiler drain valve.
- Fill system to correct system pressure. Correct pressure will vary with each application.
  - Typical cold water fill pressure for a residential system is 12 psi (when using a 30 PSIG boiler relief valve).

- Pressure will rise when boiler is turned on and system water temperature increases. Operating pressure must never exceed 5 PSIG less than the boiler relief valve setting.
- At initial fill and during boiler startup and testing, check system thoroughly for any leaks. Repair all leaks before proceeding further.

**WARNING** Eliminate all system leaks. Continual fresh make-up water will reduce boiler life. Minerals can build up in sections, reducing heat transfer, overheating heat exchanger, and causing heat exchanger failure.

### Check/verify water chemistry

- The system may have residual substances that could affect water chemistry.
- After the system has been filled and leak tested, verify water pH and chlorine concentrations are acceptable.
- Verify antifreeze concentration, when used.
- Follow the instructions on the Sentinel test kit to sample the system water and verify inhibitor concentration.

### Check inhibitor concentration annually

- Test the pH of a sample of system water at least annually. The pH of the water mixture must be between 7.0 and 8.5. (Or use the Sentinel inhibitor test kit to check concentration.)
- If pH is outside this range (or inhibitor test kit indicates low level), the inhibitor level may not be sufficient to prevent corrosion.
- Test antifreeze concentration.

**WARNING** Test antifreeze concentration at least annually. If concentration is low, add antifreeze or drain system and refill with correct mixture.

- Follow instructions on antifreeze container to determine the amount of antifreeze needed. **DO NOT** exceed 50% by volume concentration of antifreeze.
- Check inhibitor level after adjustments are made.

### Verify gas/air orifice plate

**⚠ DANGER** The proper orifice plate must be used. Failure to do so will cause severe personal injury, death or substantial property damage.

- Remove the jacket front panel.
- Read the boiler size written on the gas/air orifice label tab, verifying the correct size. See [Figure 5, page 8](#) for details.
- The orifice plate must be plain aluminum for natural gas. For propane gas, the exposed tab of the plate should be red.

## Start-up *(continued)*

### Check for gas leaks



Before starting the boiler, and during initial operation, use a leak detector or smell near the floor and around the boiler for gas odorant or any unusual odor. Remove boiler front door and smell interior of boiler enclosure. Do not proceed with startup if there is any indication of a gas leak. Repair any leak at once.

DO NOT adjust or attempt to measure gas valve outlet pressure except where instructed specifically in this manual. This setting is suitable for natural gas and propane, requiring no field adjustment. Attempting to alter or measure the gas valve outlet pressure without following the correct procedures could result in damage to the valve, causing potential severe personal injury, death or substantial property damage.

Propane boilers only — Your propane supplier mixes an odorant with the propane to make its presence detectable. In some instances, the odorant can fade, and the gas may no longer have an odor. Before startup (and periodically thereafter), have the propane supplier verify the correct odorant level in the gas.

4. Replace the orifice plate if necessary, following the guidelines on [page 8](#).

### Check thermostat circuit(s)

1. Disconnect the two external wires connected to the boiler thermostat terminals (see [Field wiring](#), beginning on [page 53](#) for terminal locations).
2. Connect a voltmeter across these two incoming wires. Close each thermostat, zone valve and relay in the external circuit one at a time and check the voltmeter reading across the incoming wires.
3. There should NEVER be a voltage reading.
4. If a voltage does occur under any condition, check and correct the external wiring. (This is a common problem when using 3-wire zone valves.)
5. Once the external thermostat circuit wiring is checked and corrected if necessary, reconnect the external thermostat circuit wires. Allow the boiler to cycle.

### Inspect/fill condensate system

#### Inspect/check condensate lines and fittings

Inspect the condensate drain line, condensate PVC fittings and condensate trap.

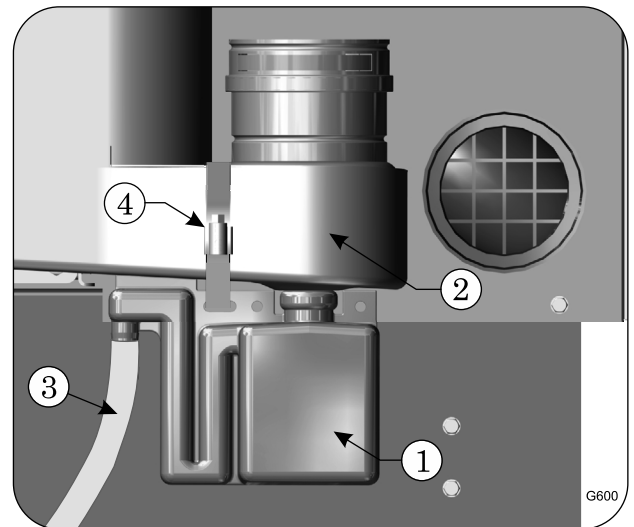
#### Fill condensate trap with water

1. Remove the hose clamp (Figure 66, item 4) that secures the condensate trap (Figure 66, item 1) to the bottom of the recuperator (Figure 66, item 2).
2. Pull the condensate trap off of the recuperator condensate drain nipple.
3. Use a funnel to feed water into the top of the condensate trap.
4. Continue filling until water begins to flow out through the condensate drain line (Figure 66, item 3).
5. Slide hose clamp around recuperator base between vent and recuperator body then through slot on top of the condensate trap.
6. Secure with the hose clamp.
7. Check for any leaks in the condensate drain line or trap. Repair any leaks.



The condensate trap must be filled with water during all times of boiler operation to avoid flue gas emission from the condensate drain line. Prime the condensate trap by pouring water into the outlet tee while restricting flow in drain tube if boiler has been out of service for an extended period. Failure to fill the trap could result in severe personal injury or death.

**Figure 66** Condensate trap assembly





# Start-up *(continued)*

## Final checks before starting boiler

- Review the boiler sequence of operation in [Figure 71, page 64](#).
- Verify that the boiler and system are full of water and all system components are correctly set for operation.
- High altitude locations (over 5,500 feet) — verify that the high altitude pressure switch is installed per [page 10](#).
- Verify that condensate trap has been filled with water.
- Verify electrical connections are correct and securely attached.
- Inspect vent piping and air piping for signs of deterioration from corrosion, physical damage or sagging. Verify air piping and vent piping are intact and correctly installed per this manual.

## Adjust boiler control settings

### BOILER OPERATING TEMPERATURE

With power turned on, control module receives a signal from the temperature sensor and displays boiler temperature. The control knob labeled **BOILER TEMP** is used to adjust the operating temperature setpoint, turning clockwise to increase temperature setting and counterclockwise to decrease. When the knob is turned to adjust temperature the display will brighten to indicate adjustment mode. After temperature is set to desired value, display will dim after approximately 5 seconds to indicate measurement mode.

- **ADJUST BOILER OPERATING TEMPERATURE TO DESIRED SETPOINT.**

### BOILER ECONOMY SETTING

To comply with Department of Energy regulations, the control module circulates available hot water before turning on the boiler to attempt to satisfy a call for heat. While attempting to satisfy the heat demand, the control module also monitors the boiler temperature changes via the temperature sensor and determines whether or not the available hot water will satisfy the demand, adjusting the time delay to turn on the boiler until it determines that additional heat will be needed. The knob labeled **ECONOMY ADJUST** provides an adjustment between maximize (MAX) and minimize (MIN) the delay. The maximum (MAX) adjustment position should be used to maximize energy savings. Turning the knob counterclockwise decreases the delay time and should only be used in the event that the heated space becomes uncomfortable.

- **ADJUST ECONOMY TO DESIRED POSITION (MAX IS THE PREFERRED SETTING).**



## IMPORTANT

In accordance with Section 325 (f) (3) of the Energy Policy and Conservation Act, this boiler is equipped with a feature that saves energy by reducing the boiler water temperature as the heating load decreases. This feature is equipped with an override which is provided primarily to permit the use of an external energy management system that serves the same function.

THIS OVERRIDE MUST NOT BE USED UNLESS AT LEAST ONE OF THE FOLLOWING CONDITIONS IS TRUE:

- An external energy management system is installed that reduces the boiler water temperature as the heating load decreases.
- This boiler is part of a modular or multiple boiler system having a total input of 300,000 BTU/hr or greater.
- This boiler is equipped with a tankless coil.

## To start the boiler

1. Turn OFF the boiler ON/OFF switch.
2. Read and follow the Operating Instructions, [Figure 72, page 65](#).

## If boiler does not start correctly

1. Check for loose connections, blown fuse or service switch off?
2. Is external limit control (if used) open? Is boiler water temperature above boiler limit setting?
3. Is thermostat set below room temperature?
4. Is gas turned on at meter or boiler?
5. Is incoming gas pressure less than 4" w.c.?
6. If none of the above corrects the problem, refer to Troubleshooting, beginning on [page 74](#).

## Check system and boiler after start-up

### Check water piping

1. Check system piping for leaks. If found, shut down boiler and repair immediately. (See **WARNING** on [page 58](#) regarding failure to repair leaks.)
2. Vent any remaining air from system using manual vents. Air in the system will interfere with circulation and cause heat distribution problems and noise.

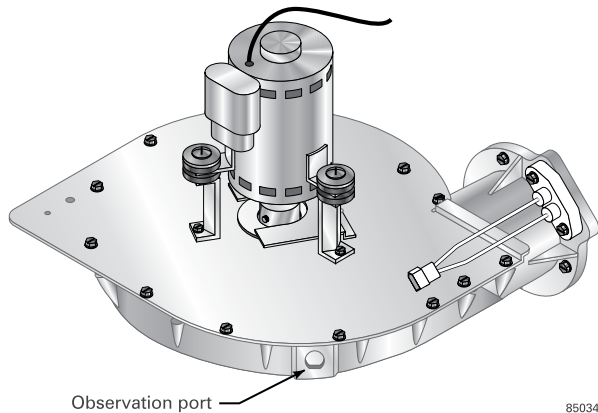
### Check vent piping and air piping

1. Check for gas-tight seal at every connection and seam of air piping and vent piping.

**WARNING** Venting system must be sealed gas-tight to prevent flue gas spillage and carbon monoxide emissions which will result in severe personal injury or death.

# Start-up *(continued)*

**Figure 68** Check for igniter glow by looking into observation port on front of blower housing



### ❑ Check gas piping

1. Check around the boiler for gas odor following the procedure of [page 52](#) of this manual.

**⚠ WARNING** If you discover evidence of any gas leak, shut down the boiler at once. Find the leak source with bubble test and repair immediately. Do not start boiler again until corrected. Failure to comply could result in severe personal injury, death or substantial property damage.

### ❑ Check the igniter

1. Inspect the igniter to verify operation as shown in Figure 68. The igniter glow may be difficult to see clearly, depending on room lighting.

## Gas valve adjustment — altitude over 5,500 feet ONLY

Apply the following only when:

- Altitude is over 5,500 feet above sea level.
- You have obtained a high altitude kit (with tools needed) and installed high altitude air pressure switch per the instructions on [page 10](#).
- Boiler has started correctly, following procedures on previous pages.

You will need the tools shown in [Figure 69, page 62](#). Adjust the gas valve outlet pressure only if required as described in the following instructions.

### Connect and adjust manometer

1. Remove boiler jacket top and front panels.
2. Close manual gas supply valve and turn off electrical power to boiler.
3. Using common bit screwdriver, remove outlet pressure tap plug from gas valve and save plug ([Figure 70, page 62](#)).
4. Place the negative side of the manometer hose over end of outlet pressure tap barrel.

5. Position and zero manometer per manufacturer's instructions. The manometer must have at least 6" of tubing above the fluid level or fluid may be drawn into the gas valve.

**⚠ DANGER** If manometer fluid is drawn into gas valve body, gas valve must be replaced. Fluid in valve will cause it to malfunction, possibly resulting in severe personal injury, death or substantial property damage.

6. Disconnect tube from hose barb on gas valve vent tap. Connect tube end to tee hose fitting as shown in [Figure 70, page 62](#). Then add length of hose from tee hose fitting to gas valve vent tap.
7. Connect positive side manometer hose to top of the tee hose fitting ([Figure 70, page 62](#)).
8. Connect negative side manometer hose to the barrel of the gas valve outlet pressure tap ([Figure 70, page 62](#)).

### Check gas valve setpoint

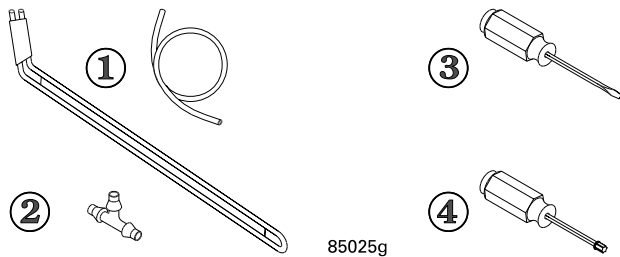
1. Open manual gas valve and turn on electrical power to boiler.
2. Start boiler and allow boiler to run for 5 minutes.
3. Read manometer. This is the gas valve outlet pressure set point. If set point is between - 0.1" w.c. and - 0.3" w.c. go to step 7.
4. If gas valve setpoint is not between - 0.1" w.c. and - 0.3" w.c., use T-40 driver to remove cap on gas valve pressure regulator.
5. Turn gas valve pressure regulator screw counter clockwise ↺ to lower gas valve set point to - 0.2" w.c.
6. Reinstall cap on gas valve pressure regulator using T-40 driver.
7. Cycle boiler off and on several times to verify gas valve set point. If set point does not remain between - 0.1" w.c. and - 0.3" w.c., readjust as necessary.
8. Close manual gas supply valve and turn off electrical power to boiler.
9. Remove manometer hose from gas valve outlet pressure tap barrel and replace sealing screw.
10. Remove tee hose fitting and added tube.
11. Reinstall hose on gas valve vent tap hose barb.
12. Open manual gas supply valve and turn on electrical power to boiler.

#### Legend for [Figure 70, page 62](#)

- 1 Gas control outlet pressure tap — located on back side of gas control. Use tap closest to gas control gas outlet — Remove screw from gas control outlet pressure tap and slide hose over tap
- 2 Add tee hose fitting as shown
- 3 Existing hose to gas control vent tap hose barb — Remove from gas control vent tap and connect to end of tee as shown
- 4 Gas control pressure regulator cap
- 5 Honeywell Type VK8115V gas valve
- 6 Gas outlet vent tap
- 7 Gas outlet piping
- 8 Add hose from gas control vent tap to tee hose fitting

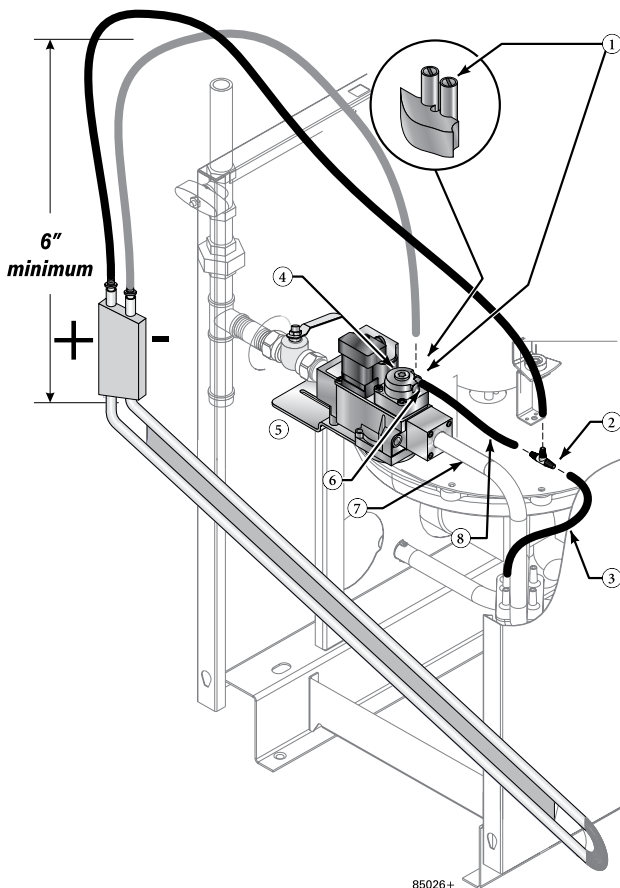
# Start-up *(continued)*

**Figure 69** Tools required for gas valve outlet pressure measurement



- |  |   |
|--|---|
| 1 U-tube manometer with tubing - Manometer provides a fine scale by slanting the manometer (Dwyer Model 1227 recommended). | 3 1/16" flat head screwdriver.                                  |
| 2 Tee hose fitting (provided in high altitude kit).  | 4 T-40 star drive for gas valve pressure regulator cover screw. |

**Figure 70** Carefully connect manometer to gas valve as shown, following instructions on this page (see legend at left)



## Final checklist

Use the checklist following to ensure boiler is operating correctly.

### Have the following been completed?

- Is proper orifice plate installed? Refer to [page 8](#) to check size and fuel type.

**⚠ DANGER** Proper orifice plate must be used. Failure to do so will cause severe personal injury, death or substantial property damage.

- Thermostat heat anticipator (if available) set properly? Refer to Field wiring, [page 53](#).
- Read and followed all procedures and checks specified in the [Start-up](#) section, beginning with [page 57](#)?

### Perform the following

- Inspect vent system for leaks. Verify vent (and air) piping are functional and unobstructed.

- Measure natural gas input:
  - a. Operate boiler 10 minutes.
  - b. Turn off other appliances.
  - c. At natural gas meter, measure time (in seconds) required to use one cubic foot of gas.
  - d. Calculate gas input:

$$\frac{3600 \times 1000}{\text{number of seconds from step c}} = \text{Btuh}$$

- e. Btuh calculated should approximate input rating on boiler rating label.
- Test temperature limit — While burners are operating, turn Boiler Temp adjustment knob counterclockwise until display reading is below actual boiler water temperature. Burners should go off while circulator continues to operate. Turn Boiler Temp adjustment knob clockwise until display reading is above boiler water temperature and ignition sequence should resume.
- Test additional field-installed controls — If boiler has a low water cutoff, additional high limit or other controls, test for operation as outlined by manufacturer. Burner should be operating and should go off when controls are tested. When controls are restored, boiler should restart.
- Test ignition system (integrated boiler control):
  - a. Connect voltmeter to gas valve terminals.
  - b. Turn off manual gas valve.
  - c. Set thermostat to call for heat.
  - d. IBC will begin purge cycle, then activate igniter. Igniter will glow for approximately 20 seconds. Near end of 20 seconds, 24 VDC will show at gas valve for approximately 6 seconds and then return to 0 VDC. Control will attempt

## **Start-up** *(continued)*

ignition two more times, increasing igniter time to 30 seconds for these attempts. The control will then lockout, flashing the POWER and FLAME lights.

e. To restart system, follow Operating instructions on boiler (also [Figure 72, page 65](#)). (Control will reset after power has been off for at least 45 seconds.)

- Set Boiler Temp adjustment knob to system temperature requirements. Adjust balancing valves and controls to provide design temperature to system.
- Set Economy mode, fully clockwise.
- Set Boiler temperature adjustment to system temperature requirements. Adjust balancing valves and controls to provide design temperature to system.
- For multiple zones, adjust flow so it is about the same in each zone or as required.
- Cycle boiler with thermostat — Raise to highest setting and verify boiler goes through normal start-up cycle. Lower to lowest setting and verify boiler goes off.
- Cycle DHW Aquastat if used.
- Observe several operating cycles for proper operation.
- Set room thermostat to desired room temperature.
- Fill in [Installation and service certificate](#) (see back cover of manual).
- Review all instructions shipped with this boiler with owner or maintenance person. Return instructions to envelope and give to owner or place in pocket inside front panel in boiler.

## **Department of Energy - Compliance**

This boiler is equipped with a control system that automatically adjusts a time delay period to turn on the boiler during a call for heat. This is accomplished by circulating available hot water in the system while measuring water boiler water temperature changes. The control calculates a suitable delay based on temperature measurements and turns the boiler on only after it determines that the demand for heat cannot be satisfied with the available hot water,

Due to the wide variety of controls used in boiler installations, this control is also equipped with an adjustment for the calculated time delay period (ECONOMY ADJUST). In the MIN position, the time delay is zero and the IMPORTANT notice below must be observed:

### **IMPORTANT**

In accordance with Section 325 (f) (3) of the Energy Policy and Conservation Act, this boiler is equipped with a feature that saves energy by reducing the boiler water temperature as the heating load decreases. This feature is equipped with an override which is provided primarily to permit the use of an external energy management system that serves the same function.

THIS OVERRIDE MUST NOT BE USED UNLESS AT LEAST ONE OF THE FOLLOWING CONDITIONS IS TRUE:

- An external energy management system is installed that reduces the boiler water temperature as the heating load decreases.
- This boiler is part of a modular or multiple boiler system having a total input of 300,000 BTU/hr or greater.
- This boiler is equipped with a tankless coil.

# Start-up *(continued)*

**Figure 71** Integrated boiler control (IBC) sequence of operation — status light indications

<b>STEPS</b>	<b>Call for Heat?</b>	<b>POWER</b>	<b>TSTAT CIRC</b>	<b>LIMIT</b>	<b>PRESS SWITCH</b>	<b>FLAME</b>	<b>Timing</b>
<i>(After Step 8, the cycle goes back to Step 1)</i>							
<b>1. Standby</b> • Waiting for call for heat	<b>NO</b>						—
<b>2. Call for heat</b> • Circulator on	<b>YES</b>						—
<b>3. Limit circuit</b> • Limit controls closed • Block switch contacts closed • Blower on	<b>YES</b>						—
<b>4. Pressure circuit</b> • Pressure switch contacts closed • Ignitor glows	<b>YES</b>						<b>30 sec</b>
<b>5. Flame proven</b> • Gas valve open • Ignitor remains on	<b>YES</b>						<b>4 sec</b>
<b>6. Limit cycle</b> • Limit circuit open • Gas valve closed • Blower off after postpurge	<b>YES</b>						<b>30 sec</b>
<b>7. Flame outage *</b> • Flame out	<b>YES</b>						—
<b>8. Thermostat satisfied</b> • Circulator off • Blower postpurge • Return to Step 1	<b>NO</b>						<b>30 sec</b>
= ON       = OFF							
<p>* If flame is not proven in 4 seconds, boiler recycles 2 times to retry for ignition before going into lockout. Recycle igniter timing is 30 seconds. Postpurge and prepurge are performed on every cycle. In event of lockout, ignition control will automatically restore sequence of operation after either:</p> <ul style="list-style-type: none"> <li>• 1 hour waiting period.</li> <li>• Opening and closing of thermostat circuit.</li> <li>• Removal of 120 VAC power for at least 45 seconds</li> </ul>							



# Start-up *(continued)*

Figure 72 Operating instructions

## FOR YOUR SAFETY — READ BEFORE OPERATING



**WARNING** If you do not follow these instructions exactly, a fire or explosion may result causing property damage, personal injury or loss of life.

- A. This appliance does not have a pilot. It is equipped with an ignition device which automatically lights the burner. Do not try to light the burner by hand.
- B. Before OPERATING, smell all around the appliance area for gas. Be sure to smell next to the floor because some gas is heavier than air and will settle on the floor. See below.
- C. Use only your hand to turn the gas control knob. Never use tools. If the knob will not turn by hand, don't try to repair it, call a qualified service technician. Force or attempted repair may result in a fire or explosion.
- D. Do not use this appliance if any part has been under water. Immediately call a qualified service technician to inspect the appliance and to replace any part of the control system and any gas control, which has been under water.

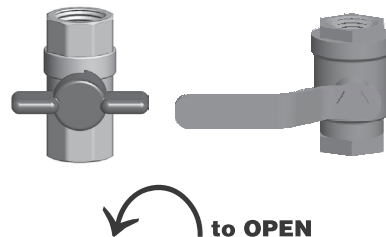
## WHAT TO DO IF YOU SMELL GAS

- Do not try to light any appliance.
- Do not touch any electric switch; do not use any phone in your building.
- Immediately call your gas supplier from a neighbor's phone. Follow the gas supplier's instructions.
- If you cannot reach your gas supplier, call the fire department.

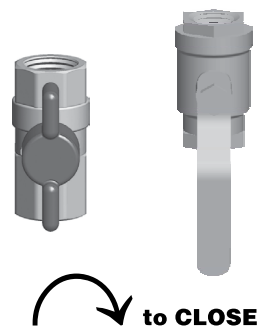
## OPERATING INSTRUCTIONS

1. **STOP!** Read the safety information above on this label. This appliance is equipped with an ignition device which automatically lights the burner. Do not try to light the burner by hand.
2. Set room thermostat(s) to lowest setting.
3. Turn OFF all electrical power to the appliance.
4. Locate boiler manual gas valve (in the gas piping connected to the boiler).
5. Turn boiler manual gas valve knob counterclockwise ↺ to OPEN gas supply.
6. Wait five (5) minutes to clear out any gas. Then smell for gas, including near the floor.
7. If you smell gas, **STOP!** Turn the boiler manual gas valve to OFF. Then follow WHAT TO DO IF YOU SMELL GAS, above. If you don't smell gas, go to step 8, below.
8. Turn ON all electrical power to the appliance.
9. Set thermostat(s) to desired setting.
10. The boiler display will show symbols and/or text describing the status of the boiler as it proceeds through its operating sequence. "Standby" status means the burner is off.
11. If the appliance will not operate when there is a call for heat and piping is not hot, follow the instructions "To Turn Off Gas To Appliance" below and call your service technician or gas supplier.

### Gas valve CLOSED



### Gas valve OPEN



## TO TURN OFF GAS TO THE APPLIANCE

1. Set room thermostats to lowest setting.
2. Turn OFF all electrical power to the appliance.
3. Turn boiler manual gas valve knob clockwise ↻ to close gas supply.

# Annual start-up and general maintenance schedule

Figure 73 Service and maintenance schedules

Service technician (see following pages for instructions)		Owner maintenance (see following pages for instructions)		
Annual start-up	<b>General:</b>			
	<ul style="list-style-type: none"> <li>• Address reported problems . . . . . 67</li> <li>• Inspect boiler area . . . . . 67</li> <li>• Inspect boiler interior. . . . . 67</li> <li>• Inspect condensate drain system . . . . 67</li> <li>• Inspect all piping for leaks . . . . . 67</li> <li>• Inspect gas piping . . . . . 67</li> <li>• Inspect the water system. . . . . 67</li> <li>• Check water system chemistry. . . . . 67</li> <li>• Inspect expansion tank. . . . . 68</li> <li>• Inspect air openings . . . . . 68</li> <li>• Inspect vent system and air piping. . . 68</li> <li>• Inspect boiler heating surfaces. . . . . 68</li> <li>• Inspect igniter . . . . . 68</li> <li>• Inspect temperature mixing system . . 69</li> <li>• Inspect additional controls and cutoffs . 69</li> <li>• Inspect gauges. . . . . 69</li> <li>• Inspect blower motor. . . . . 69</li> <li>• Inspect oiled-bearing circulators . . . . 69</li> <li>• Inspect temperature sensor . . . . . 69</li> <li>• Inspect boiler relief valve. . . . . 70</li> </ul>	Daily	<ul style="list-style-type: none"> <li>• Check boiler area</li> <li>• Check air openings</li> <li>• Check pressure gauge</li> </ul>	
	<b>Additional if combustion or performance indicates the need:</b>		Monthly	<ul style="list-style-type: none"> <li>• Check boiler interior piping</li> <li>• Check venting system</li> <li>• Check air vents</li> <li>• Check condensate drain system</li> <li>• Check relief valve</li> </ul>
	<ul style="list-style-type: none"> <li>• Follow procedures under Cleaning boiler heating surfaces . . . . 71 to access boiler components listed below.</li> <li>• Clean heat exchanger.</li> <li>• Remove and clean burner using compressed air only.</li> <li>• Vacuum the blower.</li> </ul>		Periodically	<ul style="list-style-type: none"> <li>• Test low water cutoff (if used)</li> <li>• Clean vent termination/air intake screens</li> </ul>
	<b>Review:</b>	<ul style="list-style-type: none"> <li>• Review with owner.</li> </ul>	Every 6 months	<ul style="list-style-type: none"> <li>• Oil blower motor</li> <li>• Operate relief valve</li> </ul>
		End of season	<ul style="list-style-type: none"> <li>• Shut down procedure</li> </ul>	

**⚠WARNING** The boiler contains ceramic fiber and fiberglass materials. Use care when handling these materials per instructions on [page 88](#) of this manual. Failure to comply could result in severe personal injury.

**⚠WARNING** Follow the service and maintenance procedures given throughout this manual and in component literature shipped with the boiler. Failure to perform the service and maintenance could result in damage to the boiler or system. Failure to follow the directions in this manual and component literature could result in severe personal injury, death or substantial property damage.

# Annual start-up

## Annual start-up only by qualified service technician

**▲WARNING** The boiler should be inspected and started annually, at the beginning of the heating season, only by a qualified service technician. In addition, the maintenance and care of the boiler designated in [Figure 73, page 66](#) and explained on the following pages must be performed to assure maximum boiler efficiency and reliability. Failure to service and maintain the boiler and system could result in equipment failure.

**▲WARNING** Electrical shock hazard — Turn off power to the boiler before any service operation on the boiler except as noted otherwise in this instruction manual. Failure to turn off electrical power could result in electrical shock, causing severe personal injury or death.

## Address reported problems

1. Inspect any problems reported by owner and correct before proceeding.

## Inspect boiler area

1. Verify that boiler area is free of any combustible materials, gasoline and other flammable vapors and liquids.
2. Verify that air intake area is free of any of the contaminants listed in [Figure 36, page 30](#). If any of these are present in the boiler intake air vicinity, they must be removed. If they cannot be removed, reinstall the air and vent lines per this manual.

## Inspect boiler interior

1. Remove jacket top and front door to inspect interior of boiler.
2. Vacuum any sediment and components.

**▲WARNING** Do not use solvents to clean any of the boiler components. The components could be damaged, resulting in unreliable or unsafe operation.

## Inspect condensate drain system

1. Inspect the condensate trap hose for deterioration.
2. Check for any obstructions in the trap hose by squeezing the tubing.
3. If there is any doubt the condensate drain system is flowing freely, remove the clamp and hose from the bottom of the recuperator. Slide a funnel outlet into the trap hose and pour water through. It should exit at the termination of the condensate drain line.

## Inspect all piping for leaks

**▲WARNING** Eliminate all system or boiler leaks. Continual fresh make-up water will reduce boiler life. Minerals can build up in sections, reducing heat transfer, overheating heat exchanger, and causing heat exchanger failure. Leaking water may also cause severe property damage.

1. Inspect all water and gas piping and verify to be leak free.
2. Look for signs of leaking lines and correct any problems found.
3. Check gas line using procedure on [page 52](#).

## Inspect gas piping

1. Sniff near floor and around boiler area for any indication of a **gas leak**.
2. **Test gas piping using bubble test**, per [page 52](#), if there is any indication of a leak.

## Inspect the water system

1. Verify all system components are correctly installed and operational.
2. Check the cold fill pressure for the system. Verify it is correct (usually around 12 PSIG).
3. Watch the system pressure as the boiler heats up (during testing) to ensure pressure doesn't rise too high. Excessive pressure rise indicates expansion tank sizing or performance problem.
4. Inspect automatic air vents and air separators. Remove air vent caps and briefly press push valve to flush vent. Reinstall caps. Make sure vents do not leak. Replace any leaking vents.

## Check water system chemistry

1. Check system water chemistry (pH and hardness). See instructions beginning on [page 57](#).
2. Check glycol and glycol inhibitor levels if using glycol/water mixture. See instructions beginning on [page 57](#).
3. Check Sentinel X100 inhibitor level in the water using the Sentinel X100 Inhibitor Test Kit. Follow instructions supplied with the kit. Add X100 inhibitor if needed to bring to the correct level. (See [Figure 93, page 89](#) for part numbers.)

**▲DANGER** Do not use petroleum-based cleaning or sealing compounds in boiler system. Severe damage to boiler will occur, resulting in substantial property damage.

# Annual start-up *(continued)*

## Inspect expansion tank

- Expansion tanks provide space for water to move in and out as the heating system water expands due to temperature increase or contracts as the water cools. Tanks may be open, closed or diaphragm or bladder type. See [page 13](#) of this manual for suggested location of expansion tanks and air eliminators.
  - Open-type — located above highest radiator or baseboard unit, usually in the attic or closet. Has a gauge glass and overflow pipe to a drain.
  - Closed-type — welded gas tight and located above boiler. Tank is partially filled with water, leaving an air cushion for expansion.
    - Make sure this type of tank is fitted with a tank fitting, such as the B & G Tank-Trol or Taco Taco-Trol. This fitting reduces gravity circulation of air-saturated tank water back to the system and prevents the air from bubbling up through the water as it returns from the system.
    - Do not use automatic air vents in systems with closed-type tanks. The air will escape from the system instead of returning to the tank. Eventually, the tank will waterlog and no longer control pressurization. The boiler relief valve will weep frequently.
  - Diaphragm- or bladder-type** — welded gas tight with a rubber membrane to separate the tank pressurizing air and the water. May be located at any point in the system, but most often found near the boiler.
    - Systems with this type of expansion tank require at least one automatic air vent, preferably located on top of an air eliminator, as shown in examples in this manual.
- If relief valve has tended to weep frequently, the expansion tank may be waterlogged or undersized.
  - Closed-type tank** — tank is most likely waterlogged. Install a tank fitting if not already installed. Then check fill level per fitting manufacturer's instructions. If fill level is correct, check tank size against manufacturer's instructions. Replace with a larger tank if necessary.
  - Diaphragm- or bladder-type** — first, check tank size to be sure it is large enough for the system. If size is too small, add additional tank (or tanks) as necessary to provide sufficient expansion. If tank size is large enough, remove tank from system and check charge pressure (usually 12 PSIG for residential applications). If tank won't hold pressure, membrane has been damaged. Replace tank.

## Inspect air openings

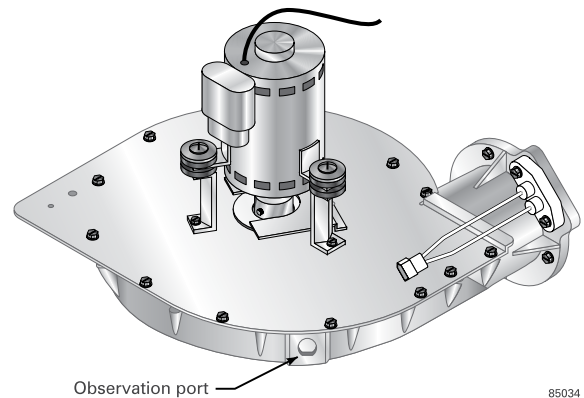
- Verify that combustion and ventilation air openings to the boiler room and/or building are open and unobstructed. Check operation and wiring of automatic combustion air dampers, if used.
- Verify that boiler vent discharge and air intake are clean and free of obstructions.

## Inspect vent system and air piping

- Visually inspect entire flue gas venting system and combustion air piping for blockage, deterioration or leakage. Repair any joints that show signs of leakage in accordance with vent manufacturer's instructions. When air is ducted to boiler, verify that air inlet hose is connected and properly sealed.

**WARNING** Failure to inspect for the above conditions and have them repaired can result in severe personal injury or death.

Figure 74 Igniter observation port in blower



## Inspect boiler heating surfaces

**WARNING** The boiler contains ceramic fiber and fiberglass materials. Use care when handling these materials per instructions on [page 88](#) of this manual. Failure to comply could result in severe personal injury.

**WARNING** Electrical shock hazard — **Turn off power to the boiler before any service operation** on the boiler except as noted otherwise in this instruction manual. Failure to turn off electrical power could result in electrical shock, causing severe personal injury or death.

- Remove the jacket top panel and jacket front panel after turning off power to the boiler.
- Remove the two nuts retaining the **flueway inspection port cover** (page 3, item **g**). Remove the **flueway inspection port cover**.
- Inspect the boiler vent outlet area and heating surfaces by looking through the opening.
- If the boiler flueways show accumulation of soot, follow **Cleaning boiler heating surfaces** on [page 71](#) to remove the blower housing and clean the boiler. If there is evidence of a large accumulation of rusty scale deposits, check the temperature mixing system.
- Replace the **flueway inspection port cover**.

## Inspect igniter

- Verify igniter operation — Look through blower observation port (see Figure 74). Access the blower by removing the boiler jacket front panel if not already removed

# Annual start-up *(continued)*

## Inspect temperature mixing system

1. Carefully check the **temperature** of the **system return piping** as it passes through the boiler jacket and on the **return pipe inside the boiler jacket** just before it enters the boiler sections. You may do this with a surface pyrometer or by lightly touching the piping with your fingers.

**⚠WARNING** To avoid potential of severe burn — **Do not rest hands on or grasp pipes.** Use a light touch only. Return piping may heat up quickly.

2. The temperature of the water entering the system should quickly heat up to about **140°F**, being considerably hotter than the return water from the system.
3. This is accomplished with the **two internal boiler circulators.** The Bypass circulator ([page 2, item 7](#)) takes hot water from the boiler supply outlet and blends it with return water. The System circulator ([page 2, item 6](#)) slows down to aid in raising the return temperature entering the sections.
4. If the **temperature mixing system** does not work correctly, check the two circulators to be sure they are flowing water. If the circulators are operating normally but the temperature mixing system does not maintain water at the entrance to the boiler sections at 140°F, you may need to replace the boiler IBC or water temperature sensor ([page 2, items 1 and 8](#)).

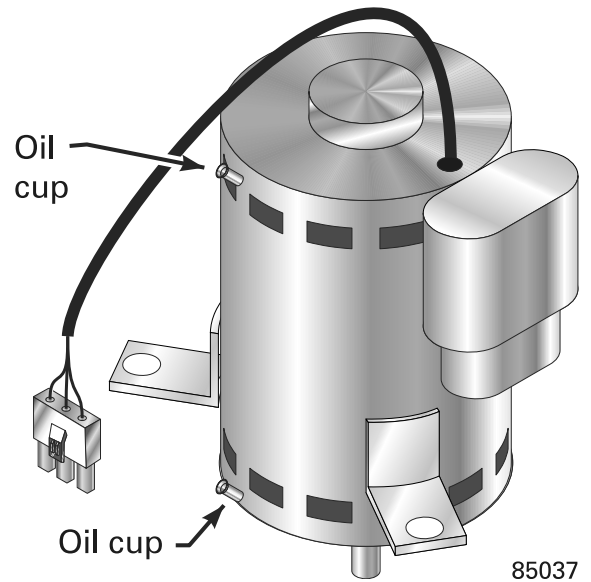
## Inspect additional controls and cutoffs

1. Inspect and test the boiler additional controls. Verify operation by turning control set point below boiler temperature. Boiler should cycle off. Return dial to original setting.
2. Inspect and test additional limit controls or low water cutoffs installed on system. Follow the device manufacturer's instructions.

## Inspect gauges

1. Boiler pressure/temperature gauge — Inspect gauge and check whether readings are reasonable. Replace if any signs of leakage from case or improper readings.
2. System gauges (if installed) — Inspect and check readings of other gauges in system.

**Figure 75** Blower motor



## Inspect blower motor

1. See Figure 75. With boiler power **OFF**, place a few drops of Anderol 465 in each of the two oil cups.

**⚠WARNING** Use only **Anderol 465** to lubricate the blower motor. Do not use universal household oils. Motor could be damaged, resulting in possible severe property damage.

## Inspect oiled-bearing circulators

1. Both of the circulators installed in the boiler are water-lubricated. No oiling is required.
2. Check other circulators in the system. Oil any circulators requiring oil, following circulator manufacturer's instructions. Over-oiling will damage the circulator.

## Inspect temperature sensor

1. The temperature sensor may accumulate deposits on the probe surface. Annual inspection and cleaning of the probe will improve boiler performance. Disconnect power, unplug harness from sensor.
  - a. Drain boiler water to a level below the sensor.
  - b. Remove sensor from boiler.
  - c. Wipe any built up contaminants from probe and insulator surfaces.
  - d. Reinstall sensor into boiler. Do not overtighten.



## Annual start-up *(continued)*

### Inspect boiler relief valve

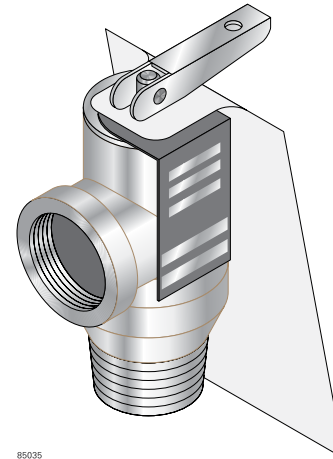
1. Inspect the relief valve (Figure 76) and lift the lever to verify flow as in the following warnings, excerpted from a relief valve manufacturer's warning label. Before operating any relief valve, ensure that it is piped with its discharge in a safe area to avoid severe scald potential. Read [page 12](#) before proceeding further.

**▲WARNING** Safety relief valves should be reinspected **AT LEAST ONCE EVERY THREE YEARS**, by a licensed plumbing contractor or authorized inspection agency, to ensure that the product has not been affected by corrosive water conditions and to ensure that the valve and discharge line have not been altered or tampered with illegally. Certain naturally occurring conditions may corrode the valve or its components over time, rendering the valve inoperative. Such conditions are not detectable unless the valve and its components are physically removed and inspected. This inspection must only be conducted by a plumbing contractor or authorized inspection agency — not by the owner. Failure to reinspect the boiler relief valve as directed could result in unsafe pressure buildup, which can result in severe personal injury, death or substantial property damage.

**▲WARNING** Following installation, the valve lever must be operated **AT LEAST ONCE A YEAR** to ensure that waterways are clear. Certain naturally occurring mineral deposits may adhere to the valve, rendering it inoperative. When manually operating the lever, water will discharge and precautions must be taken to avoid contact with hot water and to avoid water damage. Before operating lever, check to see that a discharge line is connected to this valve directing the flow of hot water from the valve to a proper place of disposal. Otherwise severe personal injury may result. If no water flows, valve is inoperative. Shut down boiler until a new relief valve has been installed.

2. After following the above warning directions, if the relief valve weeps or will not seat properly, replace the relief valve. Ensure that the reason for relief valve weeping is the valve and not over-pressurization of the system due to expansion tank waterlogging or under-sizing.

Figure 76 Relief valve



### To complete Annual Start-up, perform startup and checks:

1. **COMPLETE** the annual start-up procedures beginning on [page 67](#).
2. Start boiler and perform checks and tests specified in this manual.
3. Verify cold fill pressure is correct and that operating pressure does not go too high.
4. Complete the check-out procedure on [page 62](#).

### Review with owner

1. Review the User's Information Manual with the owner.
2. Emphasize the need to perform the maintenance schedule specified in the User's Information Manual (and in this manual as well).
3. Remind the owner of the need to call a licensed contractor should the boiler or system exhibit any unusual behavior.
4. Remind the owner to follow the proper shutdown procedure and to schedule an annual startup at the beginning of the next heating season.

# Service & maintenance

## Cleaning boiler heating surfaces

**WARNING** The service procedures in this manual must only be performed by a qualified boiler service technician. Failure to comply could result in severe personal injury, death or substantial property damage.

**WARNING** The boiler contains ceramic fiber and fiberglass materials. Use care when handling these materials per instructions on page 88 of this manual. Failure to comply could result in severe personal injury.

1. If inspection of the boiler flueways indicates the presence of soot, clean the boiler heating surfaces using the following procedure. The process requires removing the blower housing to allow spraying water through the boiler combustion chamber.
2. Before proceeding, obtain a GWC gasket replacement kit, consisting of igniter, recuperator, flueway inspection port and blower flange gaskets.

### To remove the blower assembly

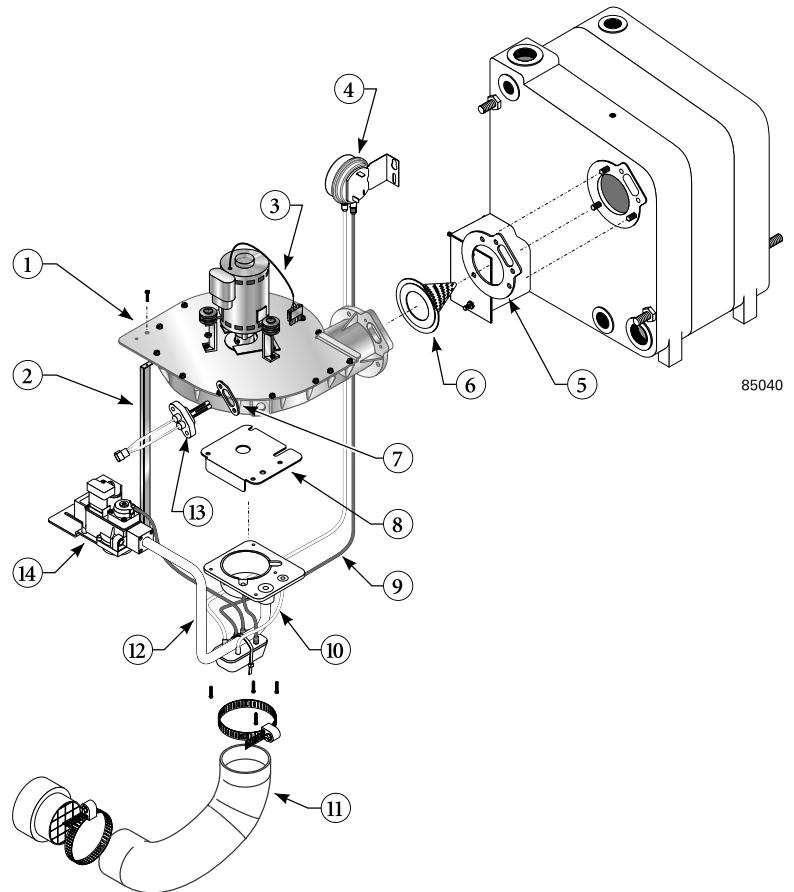
1. Turn off boiler by turning down the thermostat. Then turn off power at the boiler service switch. Close manual gas valve on incoming gas line to boiler.

**WARNING** Turn off power and gas to the boiler. Failure to do so can cause severe personal injury, death or substantial property damage.

**DANGER** Wait several minutes after boiler has stopped to allow the igniter to cool to avoid severe personal injury or death.

2. See Figure 77.
3. Disconnect:
  - a. Remove union outside of boiler
  - b. Gas tubing from gas valve outlet by removing the 4 screws securing the outlet fitting to the valve. (Save the o-ring in the fitting.)
  - c. Remove gas valve and bracket
  - d. Hose from gas valve to gas/air manifold
  - e. Pressure switch hoses
  - f. Air inlet hose
  - g. Blower motor wiring harness from IBC
  - h. Igniter harness connected to igniter plug
  - i. Blower support bracket (remove screw securing blower housing to bracket — on left side of blower housing)
  - j. Ground wire.
4. Remove the two igniter screws and washers. Carefully remove the igniter. Use care when handling — igniter is very brittle. DO NOT touch igniter surface with hands or expose to any greasy substances.
5. Remove nuts from studs securing blower housing to front section.

Figure 77 Blower housing removal procedure



1 Blower assembly	8 Gas/air orifice plate
2 Blower support bracket	9 Red pressure switch hose
3 Blower motor wiring harness	10 White pressure switch hose
4 Air pressure switch	11 Inlet air hose and clamps
5 Blower flange gasket ( <b>replace this</b> )	12 Gas tubing
6 Burner cone and ring assembly	13 Igniter
7 Igniter gasket ( <b>replace this</b> )	14 Gas valve and bracket

6. Grasp blower housing and pull free from studs. Turn clockwise slightly, until blower assembly can be removed safely from inside of boiler jacket.
7. Remove burner cone and gasket for inspection.

### To clean heating surfaces

1. Remove the flueway inspection port cover (page 3, item g), if not already off of the boiler.
2. Place a catch pan under the inspection port to catch the cleaning water.
3. Spray water into the boiler combustion chamber opening.
4. Catch the runoff water in the pan below the inspection port.
5. Continue process until flueways are clean.

# Service & maintenance *(continued)*

## To clean the burner

**⚠WARNING** The burner may contain ceramic fiber particles. Use care when handling these materials per instructions on [page 88](#) of this manual. Failure to comply could result in severe personal injury.

1. Clean the burner ports with a soft brush.
2. Use compressed air to blow out any particulate if necessary. Use caution to avoid particulate being blown into the building.

## To replace blower assembly

1. Place a new blower flange gasket over the studs at combustion chamber opening.
2. Reinstall burner cone into chamber opening.
3. Position blower assembly over studs. Install nuts and tighten.
4. Install igniter and new igniter gasket. Fasten with screws and washers. Tighten only with hand-held screwdriver. **DO NOT** use electric or pneumatic driver. Excessive torque will damage igniter. Do not exceed 20 inch-pounds torque.
5. Connect:
  - a. Gas valve and piping (4 screws)
  - b. Gas tubing to gas valve outlet
  - c. Pressure switch hoses
  - d. Hose from gas valve to gas/air manifold
  - e. Air inlet hose
  - f. Blower motor wiring harness to IBC
  - g. Igniter harness to igniter plug
  - h. Blower support bracket (with screw)
  - i. Ground wire.
6. Be sure all wiring and hose connections are correct per [Figure 77](#), [page 71](#) and are secure on the hose barb fittings.

## Inspecting and cleaning the recuperator

**⚠WARNING** Turn off power and gas to the boiler. Failure to do so can cause severe personal injury, death or substantial property damage.

**⚠WARNING** Wait several minutes after boiler has stopped to allow the boiler components to cool to avoid severe personal injury or death.

## Removing/cleaning/re-installing the recuperator

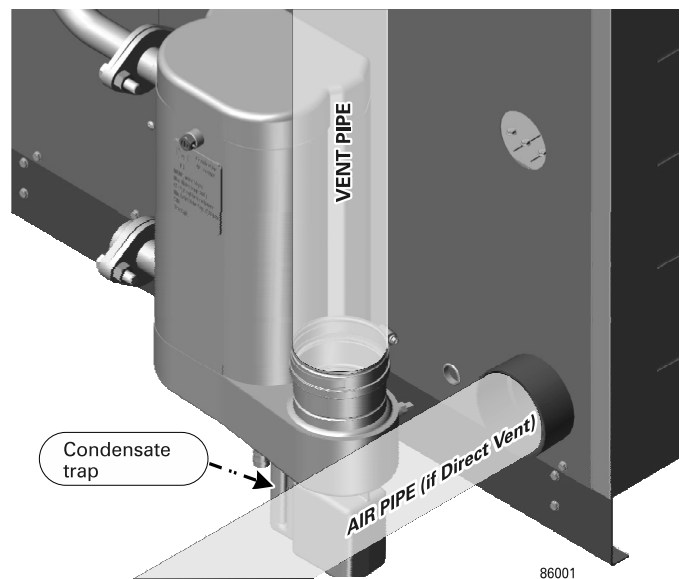
### Disconnect the vent pipe from the recuperator

1. The vent pipe must be disconnected (at the in-line flue drain, item A in [Figure 10](#), [page 11](#)).
2. If the vent piping can be moved enough, loosen the flue pipe clamp on the in-line flue drain. Then lift the flue pipe up and move aside slightly.
3. If the vent piping cannot be moved, then cut the flue pipe carefully so a coupling can be inserted later, or remove a section of vent pipe if using stainless vent pipe.

### Isolate boiler and drain partially

1. Remove the jacket top panel and front panel.

**Figure 78** Recuperator access and cleaning



2. Allow time for the boiler to cool down if it has been operating.
3. Close the isolation valves on the boiler supply and return connections.
4. The boiler will have to be partially drained.
  - a. Place a large pan under the boiler drain valve.
  - b. Slowly open the drain valve and allow about a gallon of water to drain out.
  - c. Place the pan under the water connection flanges on the recuperator.
  - d. Loosen the upper recuperator flange and allow any water in the line to run out.
  - e. Loosen the lower recuperator flange (return connection) and allow the water in the line and recuperator to drain out.
5. After the recuperator and water lines have been drained, disconnect both recuperator flanges.

### Remove the recuperator

1. See [Figure 99](#), [page 95](#). Loosen the (4) nuts that secure the recuperator to the boiler.
2. Disconnect the plug-in connector on the thermal switch ([Figure 99](#), [page 95](#), item 27).
3. Carefully slide the recuperator off of the (4) studs.
4. Loosen the flue adapter clamp and remove the in-line drain fitting from the flue adapter.
5. Flush the flueway ([Figure 78](#), item 1) and tubes ([Figure 78](#), item 2) thoroughly with fresh water, allowing the water to drain out through the recuperator condensate opening.
6. Dump any remaining water from the recuperator.
7. Look through the flue adapter and locate the flueway drain holes as shown in [Figure 79](#), [page 73](#).

# Service & maintenance *(continued)*

**Figure 79** Recuperator flueway drain holes



G4006

Failure to comply with the above could result in severe personal injury, death or substantial property damage.

### Re-connect the vent pipe

1. If the vent pipe was lifted out, re-insert the vent pipe into.
2. If the vent pipe was cut, install a coupling in the vent line to allow re-connection.
3. If a section was removed (stainless vent pipe), replace the section.
4. Re-connect the vent pipe to the in-line drain fitting and tighten the clamp.

**▲WARNING**

When replacing the vent pipe, follow all instructions in this manual to ensure the vent is properly completed. Failure to properly the vent pipe could result in severe personal injury, death or substantial property damage.

8. Use a brush or other means to remove blockage from these holes.
9. Rinse the recuperator thoroughly.

### Re-install the recuperator

1. Inspect the recuperator gaskets to make sure all are in good condition. Replace if there is any sign of damage.
2. Attach the recuperator at the boiler connection.
3. Secure with the four nuts.
4. Re-connect the water connections to the upper and lower recuperator flanges.
5. Re-insert the in-line drain fitting into the recuperator vent adapter. Tighten the clamp to secure in place.
6. Re-connect the plug-in connector on the thermal switch (Figure 99, page 95, item 27).

### Re-install the condensate trap and recuperator access cover

1. Replace the condensate trap and recuperator access cover — tighten bolts securely (do not exceed 18 inch-pounds, 2 N-m, torque).

**▲WARNING**

If the recuperator shows signs of significant corrosion or deterioration, contact Williamson-Thermo-flo for recommendations on investigating the cause and replacing the recuperator if necessary.

Make sure the recuperator access cover gasket is in good condition. Replace if necessary.

Make sure the recuperator access cover and the condensate trap are re-installed securely.

# Troubleshooting

## VERIFY PROPER OPERATION AFTER SERVICING.

- ⚠ WARNING** Label all wires prior to disconnection when servicing controls. Wiring errors can cause improper and dangerous operation.
- ⚠ WARNING** Never jumper (bypass) any device except for momentary testing as outlined in Troubleshooting charts. Severe personal injury, death or substantial property damage can result.
- ⚠ WARNING** The IBC and boiler controls can malfunction if they get wet. Never try to use a control that has been flooded or wet. Replace it. Failure to comply can result in severe personal injury, death or substantial property damage.
- ⚠ WARNING** The boiler contains ceramic fiber and fiberglass materials. Use care when handling these materials per instructions on page 88 of this manual. Failure to comply could result in severe personal injury.

## Before troubleshooting

1. Have a voltmeter that can check 120 VAC, 24 VAC, 24 VDC and a continuity checker.
2. Check for 120 VAC (min. 102-max.132) to boiler.
3. Make sure thermostat is calling for heat and contacts (including appropriate zone controls) are closed. Check for 24 VAC between thermostat wire nuts and ground.
4. Have an inclined manometer with 0 – 2” w.c. range.

## Check the following

1. Wire connectors to IBC are securely plugged in at IBC and originating control.
2. Hoses are properly and securely plugged in and are not damaged.

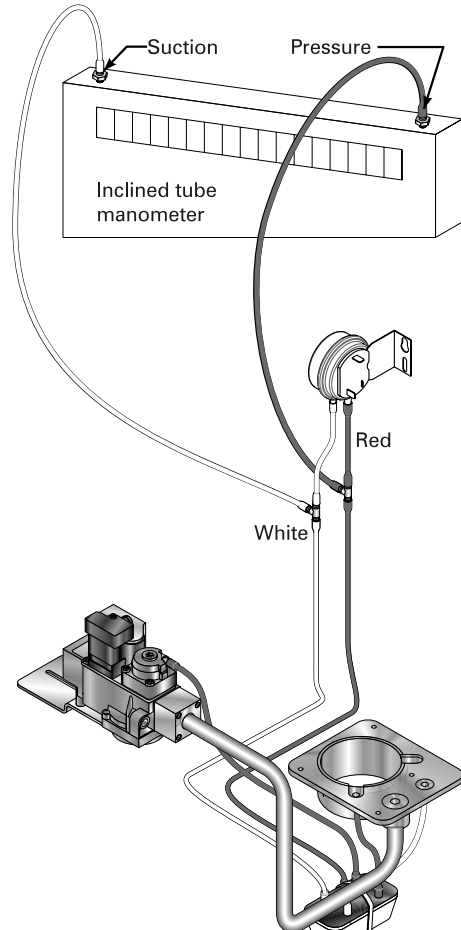
## Checking the air pressure switch

- ⚠ WARNING** Do not use manometer as shown in Figure 80 to test gas valve outlet pressure. Where instructed in this manual to check gas valve outlet pressure, follow instructions carefully, particularly regarding connection of manometer. Manometer fluid will cause permanent damage to gas valve. Severe personal injury, death or substantial property damage can result.

## Check switch pressure setting

1. See Figure 80.
2. Remove both air pressure switch hoses from air pressure switch.
3. Install tees and tubing as shown in Figure 80 to inclined manometer.
4. Turn off gas valve and set thermostat to call for heat. Blower will run but burner will not ignite.
5. Check for 24 VAC between both air pressure switch terminals and ground.

**Figure 80** Connecting a manometer to check air pressure switch. DO NOT use this arrangement to check gas valve



6. If manometer reading is at least 1.0” w.c., but there is not 24 VAC between both air pressure switch terminals and ground, replace air pressure switch.

## Troubleshooting air pressure reading

1. If manometer reading is lower than 1.4” w.c. check for possible causes:
  - Blockage in hoses.
  - Loose blower wheel on motor shaft.
  - Blower motor not at proper rpm.
  - Blockage in air inlet or hose.
  - Blockage in flue pipe or termination.
  - Condensate trap filled w/condensate.

## Return to normal operation

1. When pressure reading is proper and air pressure switch is operating properly, remove tees and reinstall hoses to air pressure switch.



# Troubleshooting *(continued)*

## Igniter

**⚠ DANGER** Wait several minutes until igniter cools down before attempting replacement. Failure to do so will cause severe personal injury.

1. Disconnect igniter (Figure 81) from igniter wiring harness and remove igniter before removing from blower assembly.
2. Replace igniter gasket if original gasket is frayed or damaged OR if room-temperature resistance across igniter is not between 40 and 95 ohms.
3. Igniter is fragile — handle with care. Do not touch igniter surface with bare hands. Body oils can cause failure of the carbide.

## Gas Valve

**⚠ WARNING** The gas valve (Figure 82) operates with a negative pressure at the outlet — approximately  $-0.2''$  w.c. — DO NOT set gas pressure higher than this.

Follow instructions in this manual carefully if testing gas valve outlet pressure. Failure to comply can result in severe personal injury or death.

**⚠ WARNING** The gas valve outlet is bolted to the gas line adapter and sealed with an o-ring. When replacing valve, replace only with valve listed in this manual for use with the GWC boiler. Failure to comply could result in severe personal injury, death or substantial property damage.

## Blower Housing

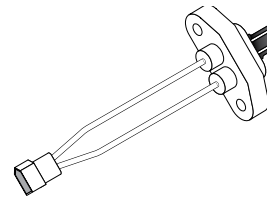
**⚠ WARNING** Do not disassemble blower housing (Figure 83). A fire or explosion causing severe personal injury, death or substantial property damage can result. If you suspect a problem, replace blower housing. Follow instructions on page 71 for blower housing removal and replacement.

## Thermal switch

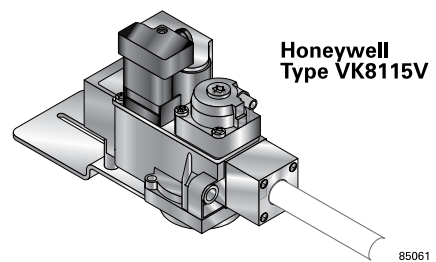
1. The thermal switch (Figure 84) protects vent pipe from excess flue temperatures.
2. If the thermal switch opens, the boiler will shut down, until the vent system cools.

**⚠ WARNING** If the thermal switch opens, investigate the cause before replacing switch and starting the boiler. DO NOT attempt to jumper the switch. Failure to comply could result in severe personal injury, death or substantial property damage.

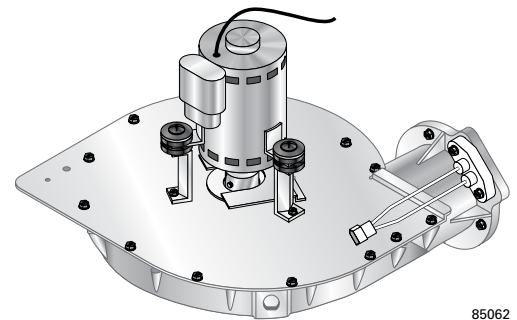
**Figure 81** Igniter



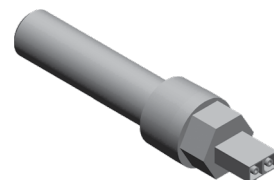
**Figure 82** Gas valve



**Figure 83** Blower housing



**Figure 84** Thermal switch

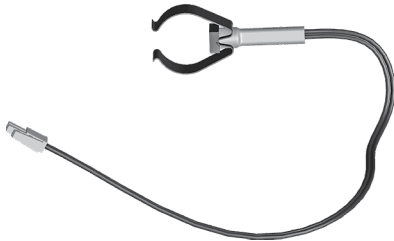


# Troubleshooting *(continued)*

## Return temperature sensor

1. See Figure 85.

**Figure 85** Return temperature sensor



2. Resistance check method:
  - a. With the boiler operating, use a contact thermometer to measure the temperature of the return pipe next to the return temperature sensor. Make a note of the temperature.
  - b. Turn the boiler ON/OFF switch off.
  - c. Immediately disconnect the return temperature sensor plug from the IBC.
  - d. Measure the resistance of the sensor. Write down the result.
  - e. Let the sensor cool to room temperature and measure the resistance again. Write down the result.
  - f. Compare the sensor resistances at both temperatures to the closest temperatures in Figure 86.

**Figure 86** Return temperature sensor resistance

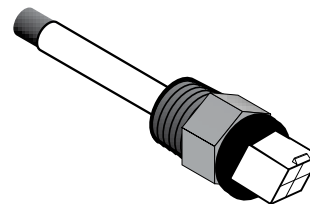
Temperature °F	Resistance Ohms	Temperature °F	Resistance Ohms
60	15300	140	2480
70	11900	160	1680
80	9310	180	1160
100	5840	200	810
120	3760	212	674

- g. If the measured values are within 10% of the values listed, the sensor is good. If not, replace the sensor. See [Replacement parts](#) for the part number.
3. Fixed resistor method
    - a. With the boiler power OFF, disconnect the return temperature sensor plug at the IBC.
    - b. Insert a 2500-ohm resistor into the IBC sensor plug.
    - c. Restart the boiler.
    - d. If the boiler operates with the resistor, but not with the sensor, try replacing the sensor. See [Replacement parts](#) section for the part number.

## Supply temperature sensor

1. See Figure 87.
2. The boiler temperature sensor is a resistance-type device.
3. The Figure 88 below shows the correct value for the sensor at various temperatures.
4. Use the resistance values at 32°F, 60°F, 70°F and 212°F to measure the sensor resistance at known temperatures (ice point, room temperature and sea level boiling point). For ice point and boiling point, insert the sensor in water at that temperature. Use an ohmmeter to read resistance value between thermistor # and thermistor common. See Figure 93 page 79, for sensor plug details.

**Figure 87** Supply temperature sensor



**Figure 88** Supply temperature sensor resistance

Sensor resistance values					
Temp (°F)	Sensor ohms		Temp (°F)	Sensor ohms	
	Min	Max		Min	Max
<b>32</b>	34265	37871	<b>120</b>	4517	4992
<b>40</b>	27834	30764	<b>130</b>	3698	4088
<b>50</b>	21630	23907	<b>140</b>	3043	3364
<b>60</b>	16944	18727	<b>150</b>	2517	2782
<b>70</b>	13372	14780	<b>160</b>	2091	2311
<b>80</b>	10629	11747	<b>170</b>	1744	1928
<b>90</b>	8504	9399	<b>180</b>	1461	1615
<b>100</b>	6847	7568	<b>190</b>	1229	1359
<b>110</b>	5545	6129	<b>200</b>	1038	1147

# Troubleshooting *(continued)*

**Figure 89** GWC Integrated Boiler Control (IBC)



85063

## IBC (integrated boiler control)

Make sure **ground wiring** is installed per wiring diagram. Good grounding is extremely important for proper operation.

**⚠ WARNING** Solder or water splatter between plugs and circuit board can cause improper operation of IBC. Place a shield over the boiler internal controls and components during installation. Failure to comply could result in severe personal injury, death or substantial property damage.

### IBC indicator lights — lockout modes

- See Charts 1 through 7 in this section for detailed trouble-shooting procedures.
- To reset control after a lockout, turn off power at the 120 VAC service switch or turn down all thermostats. Wait 45 seconds. Then restore power and call for heat.
- After an over-temperature lockout (POWER and LIMIT lights flashing), the control will only reset after interruption of 120 VAC for 45 seconds. (And temperature at return water temperature sensor must be below 240°F.)

### Control indicator lights —

#### HARD LOCKOUT Summary (Flashing LED's)

MAY remove 120 VAC power for more than 2 seconds to clear lockout OR ignition control will automatically restart sequence of operation after 1 hour waiting period after fault condition is cleared.

#### INDICATOR LIGHT

#### CONDITION

##### POWER

Flashes once per second

120 VAC connection to boiler reversed or there is insufficient earth ground.

Flash code 2\*

Internal fault, microprocessor or memory.

Flash code 3\*

Unused.

Flash code 4\*

Unused.

Flash code 5\*

Internal fault, water thermistors disagree.

Flash code 6\*

Internal fault, gas valve circuit.

\* Flash code pattern: POWER LED flashes 2, 3, etc. times rapidly followed by 2 seconds off, then repeats.

#### POWER light flashing alone

- Usually indicates reversed polarity of 120 VAC power wires.

#### POWER and TSTAT/CIRC lights flashing

- Usually indicates stray voltage on external thermostat circuit wires or return water temperature entering boiler sections has not reached 130°F within 30 minutes.

#### POWER and PRESS SWITCH lights flashing

- Usually indicates pressure switch is closed when it should not be, or pressure switch failed to close within 5 minutes of blower starting.

#### POWER and FLAME lights flashing

- Usually indicates control has had three unsuccessful ignition attempts or sensed flame when it shouldn't be there. Boiler may not be properly grounded.

### IBC indicator lights — non-lockout modes

#### TSTAT/CIRC light flashing alone

- Usually indicates return water temperature sensor detects water at boiler return pipe less than 40°F. Both internal circulators will run continuously, even with no call for heat, until temperature rises.

#### LIMIT light flashing alone

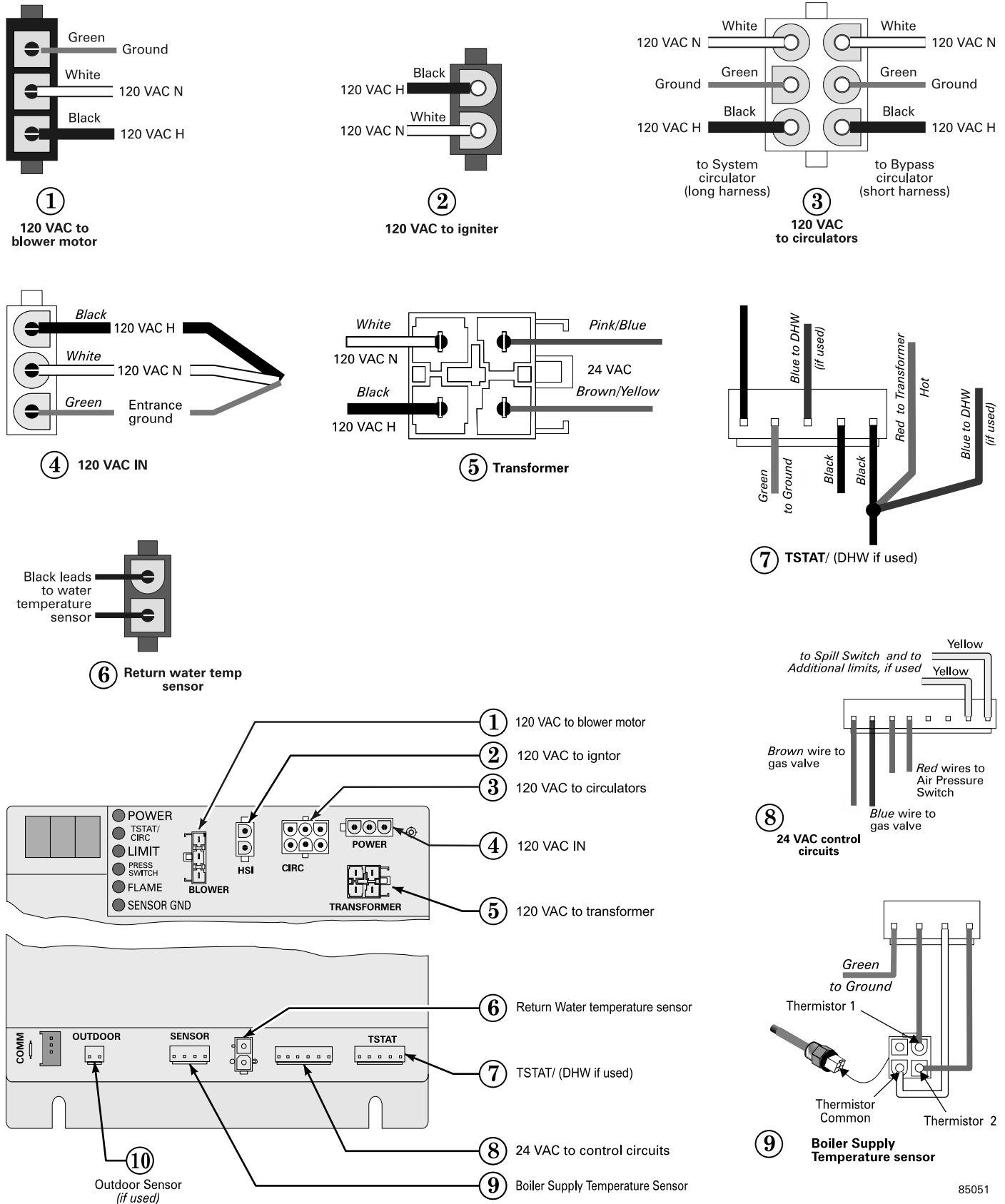
- Usually indicates an open or shorted return or supply water temperature sensor.

#### Troubleshooting the IBC

- See [Figure 90, page 78](#) for location of harness plug receptacles and plugs on the IBC.

# Troubleshooting *(continued)*

**Figure 90** IBC harness plug receptacle and indicator light locations



85051

# Troubleshooting *(continued)*

**Figure 91** Common causes and possible corrections, part 1

<b>Symptom</b>	<b>Common Causes</b>	<b>Possible Corrections</b>
<b>Rapid cycling — boiler turns on and off frequently</b>	Thermostat installed where drafts or heat affect reading	Locate thermostat on inner wall away from heat sources or cool drafts.
	Heat anticipator in thermostat adjusted incorrectly	Adjust thermostat per manufacturer's instructions.
	Incorrect limit setting	Set limit according to system needs. Maximum setting is 200°F. Increase limit setting to decrease cycling.
	Insufficient water flow through boiler	Check all valves to and from boiler. Return to proper setting.
Confirm circulator size.		
<b>Frequent release of water through relief valve</b>	Expansion tank sized too small	Call qualified service technician to check expansion tank operation and size.
	Flooded expansion tank	Call qualified service technician to check expansion tank operation.
	Inoperative limit control	Call qualified service technician to replace limit control.
<b>Need to frequently add makeup water</b>	Leaks in boiler or piping	Have qualified service technician repair leaks at once to avoid constant use of makeup water. Makeup water can cause mineral deposits which, in turn, can cause boiler section failure. Do not use petroleum-base stop-leak compounds.
<b>Black water condition</b>	Oxygen corrosion due to leaks in boiler and piping	Have qualified service technician repair at once. Keep pH of water between 7.0 to 8.5.
<b>Large temperature swings in living space</b>	Incorrect Economy setting	Adjust Economy setting on boiler control to a lower setting.



# Troubleshooting *(continued)*

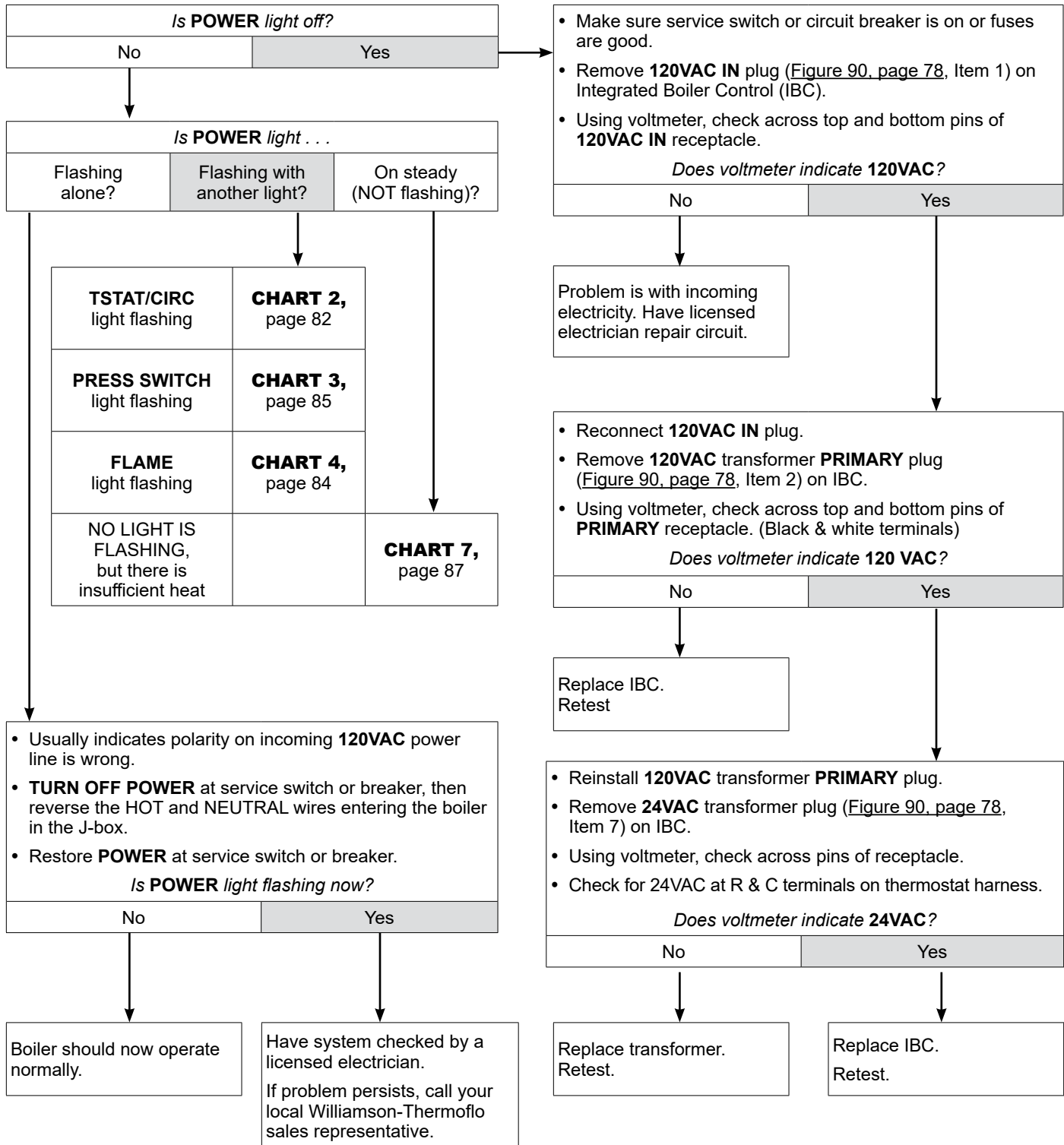
**Figure 92** Common causes and possible corrections, part 2

<b>Symptom</b>	<b>Common Causes</b>	<b>Possible Corrections</b>
<b>Popping or percolating noise heard in boiler</b>	Mineral deposits in sections due to constant use of makeup water	Call qualified service technician to de-lime boiler, if necessary. In some cases, deposits will be too heavy to remove with de-liming procedures.
		Have qualified service technician repair leaks to eliminate need for constant makeup water.
	Incorrect pH of boiler water	Call qualified service technician to check pH level and correct. pH should be maintained between 7.0 to 8.5.
	Insufficient water flow through boiler	Check all valves to and from boiler. Return to proper setting.
Confirm circulator size.		
<b>Metal flakes found in vent outlet or recuperator — flue way corrosion</b>	Contaminated combustion air supply — See manual page 30.	Remove any contaminating products, see manual page 30.
		Provide outside air for combustion. Have qualified service technician pipe-up kit.
	Condensation of combustion gases in boiler sections	Have qualified service technician check operation of mixing system. Repair/replace if necessary.
<b>Some radiators or baseboard units do not heat or are noisy</b>	Air in system	Bleed air from system through air vents in radiators or baseboard units.
	Low system pressure	Fill to correct pressure.
		Check for leaks in boiler or piping. Have qualified service technician repair at once.
	High limit set too low	Adjust high limit to higher setting.

# Troubleshooting *(continued)*

## **CHART 1** Troubleshooting **POWER** light status

**⚠️ WARNING** **Electrical shock hazard** — Wherever you see **TURN OFF POWER**, follow the instructions. Failure to follow instructions could result in severe personal injury, death or substantial property damage.

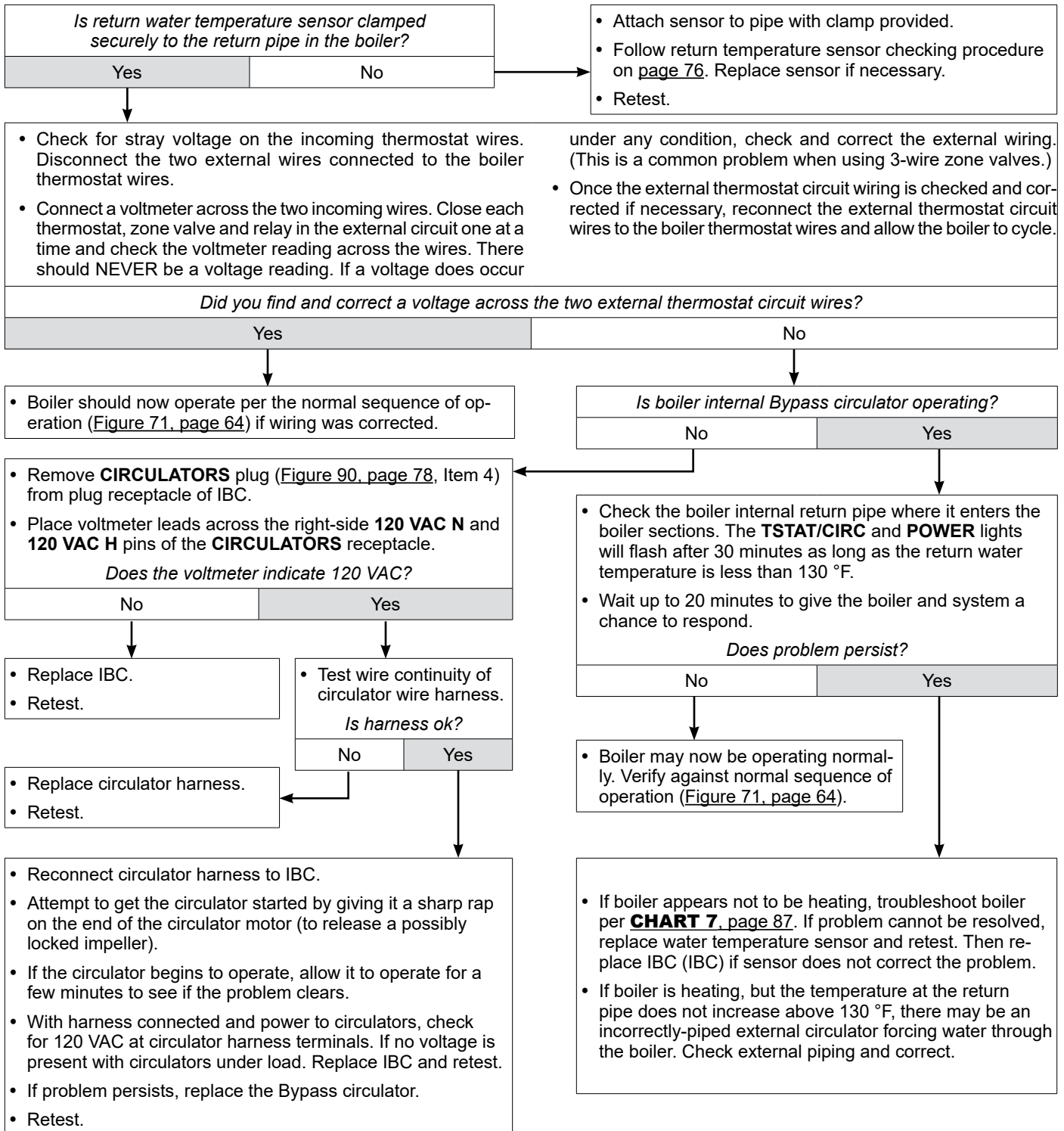


# Troubleshooting *(continued)*

**CHART 2**

## TSTAT/CIRC & POWER lights flashing

**⚠ WARNING** **Electrical shock hazard** — Wherever you see TURN OFF POWER, follow the instructions. Failure to follow instructions could result in severe personal injury, death or substantial property damage.

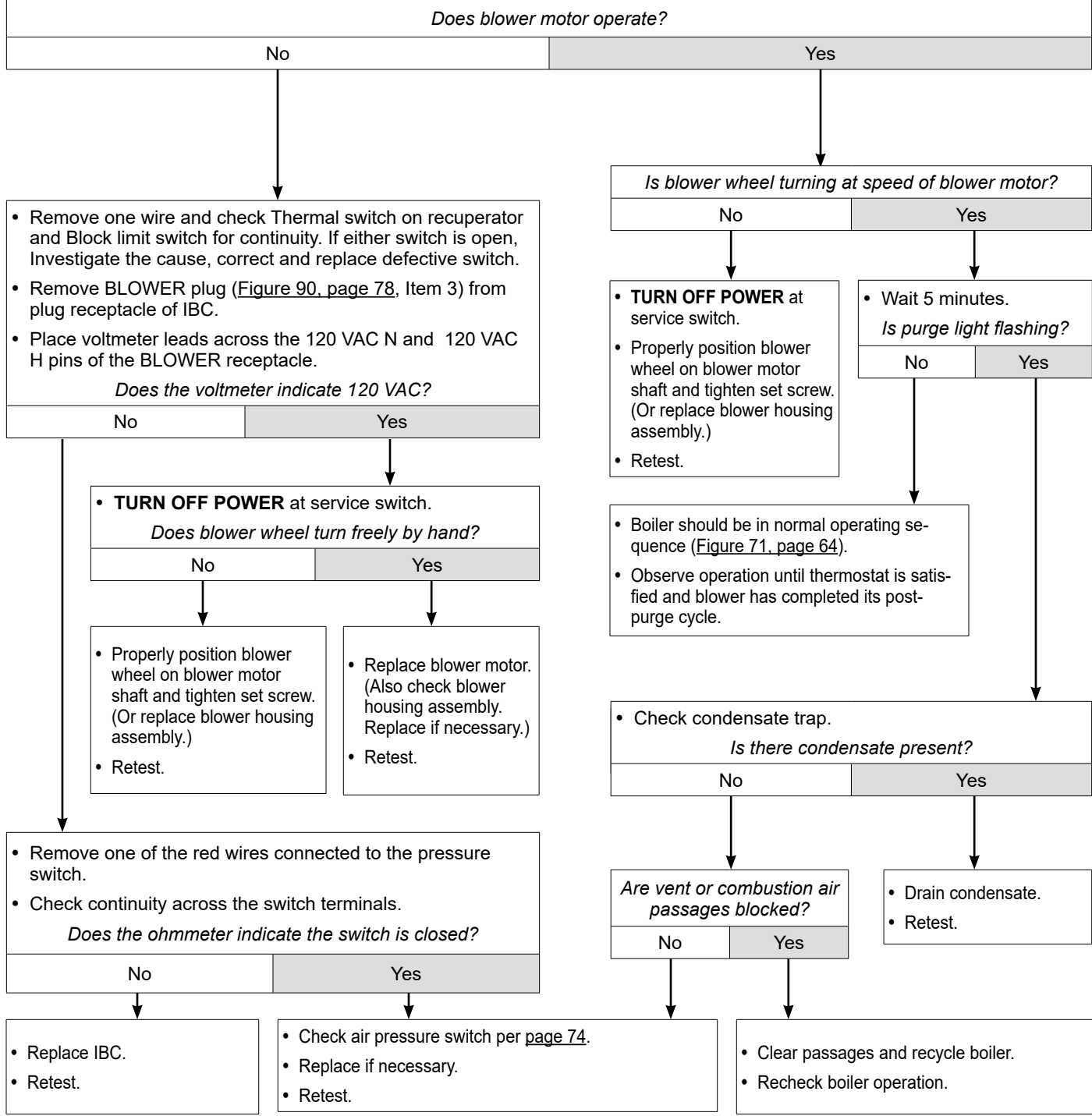


# Troubleshooting *(continued)*

**CHART 3** **PRESS SWITCH & POWER lights flashing**

**⚠ WARNING** **Electrical shock hazard** — Wherever you see TURN OFF POWER, follow the instructions. Failure to follow instructions could result in severe personal injury, death or substantial property damage.

- Reset boiler control by turning off power at service switch or turning down thermostat for at least 45 seconds.
- Thermostat should call for heat and appropriate zone valves open.



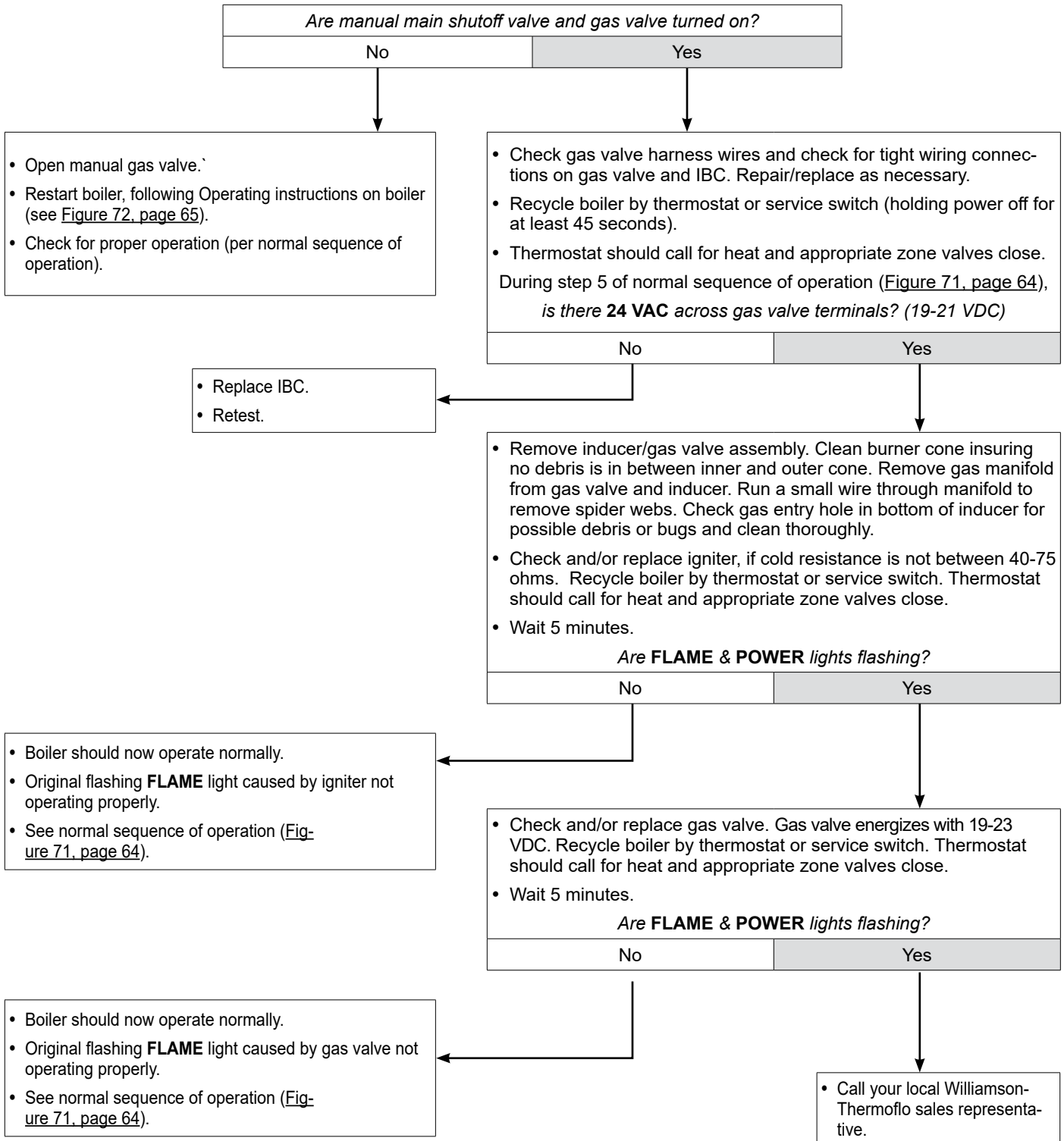
# Troubleshooting *(continued)*

CHART 4

## FLAME & POWER lights flashing



**Electrical shock hazard** — Wherever you see TURN OFF POWER, follow the instructions. Failure to follow instructions could result in severe personal injury, death or substantial property damage.



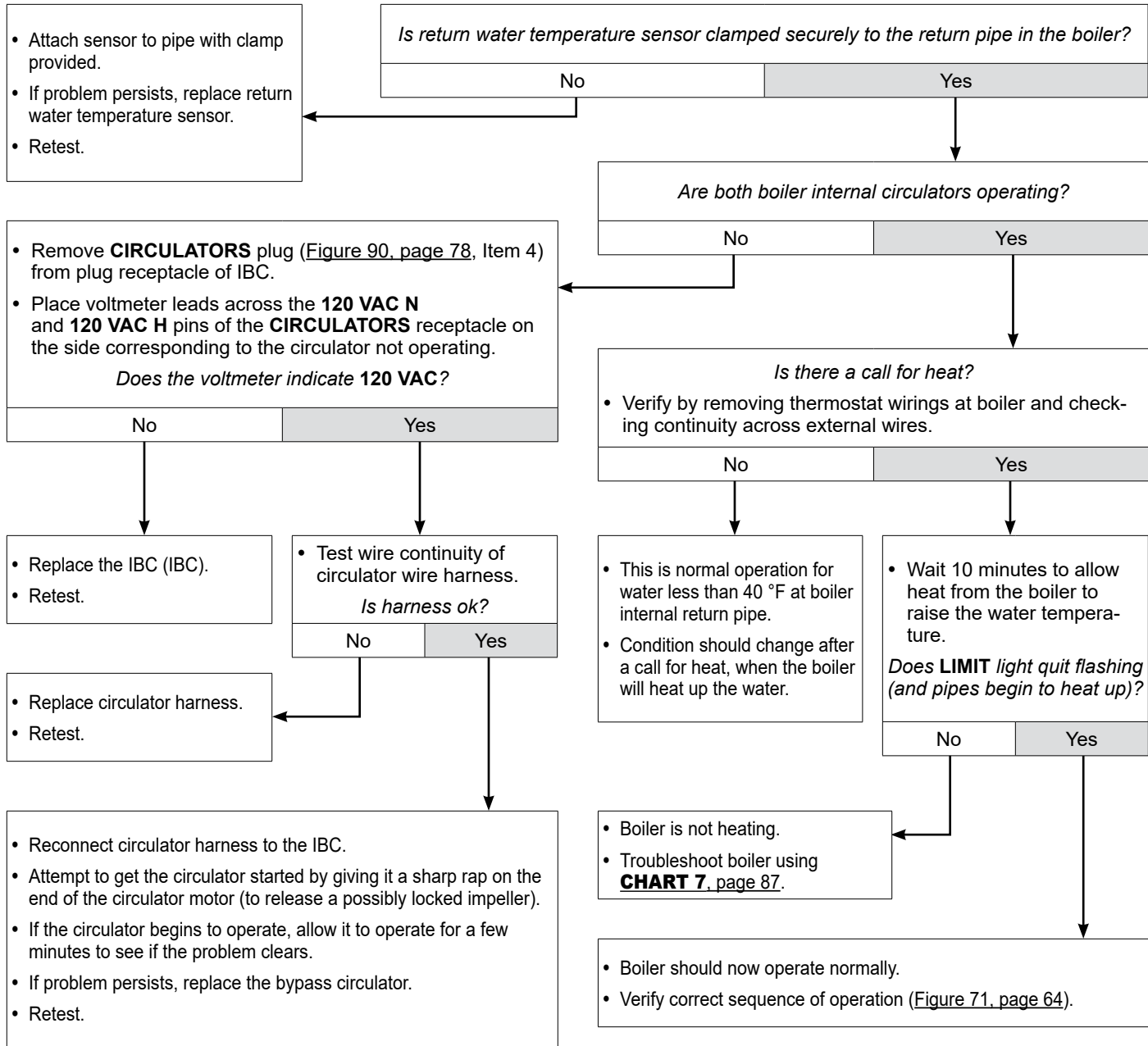


# Troubleshooting *(continued)*

**CHART 5 TSTAT/CIRC light flashing and POWER light on steady**

**⚠ WARNING Electrical shock hazard** — Wherever you see TURN OFF POWER, follow the instructions. Failure to follow instructions could result in severe personal injury, death or substantial property damage.

- This is NOT a lockout mode.
- The IBC is signaling that the return water temperature sensor is detecting a temperature less than 40 °F.
- While the temperature at the boiler return water temperature sensor is less than 40 °F, both of the internal boiler circulators will run continuously, even if there is no call for heat (though the boiler will not fire until the thermostat calls for heat). This operation is intended to reduce chances of freezing during system down times by keeping water flowing.



# Troubleshooting *(continued)*

**CHART 6** **LIMIT light flashing and POWER light on steady**

**⚠ WARNING** **Electrical shock hazard** — Wherever you see TURN OFF POWER, follow the instructions. Failure to follow instructions could result in severe personal injury, death or substantial property damage.

- This is NOT a lockout mode. The IBC should only be signaling that the water temperature sensor is either shorted or there is an open circuit across the sensor terminals.
- This situation is usually corrected by replacing the sensor, as described below.

- Remove **SENSOR** plug from receptacle on IBC (Figure 90, page 78, Item 6).
- Then re-insert.

*Does LIMIT light still flash?*

No	Yes
----	-----

• Boiler may now be operating correctly. Verify per normal sequence of operation (Figure 71, page 64).

- Replace return or supply sensor and harness.

*Does LIMIT light still flash?*

No	Yes
----	-----

- Check boiler water temperature. Use the appropriate resistance range on test meter, measure the resistance between Thermister 1 (Red) to common (White) and Thermister 2 (Red) to common. See page 76, **Sensor resistance values chart**. Both reading should be within the same range based on the known boiler water temperature. If either one shows an open circuit or outside the range on the chart.
- Replace boiler sensor and retest boiler to verify normal operation.
- Replace IBC.
- Retest.

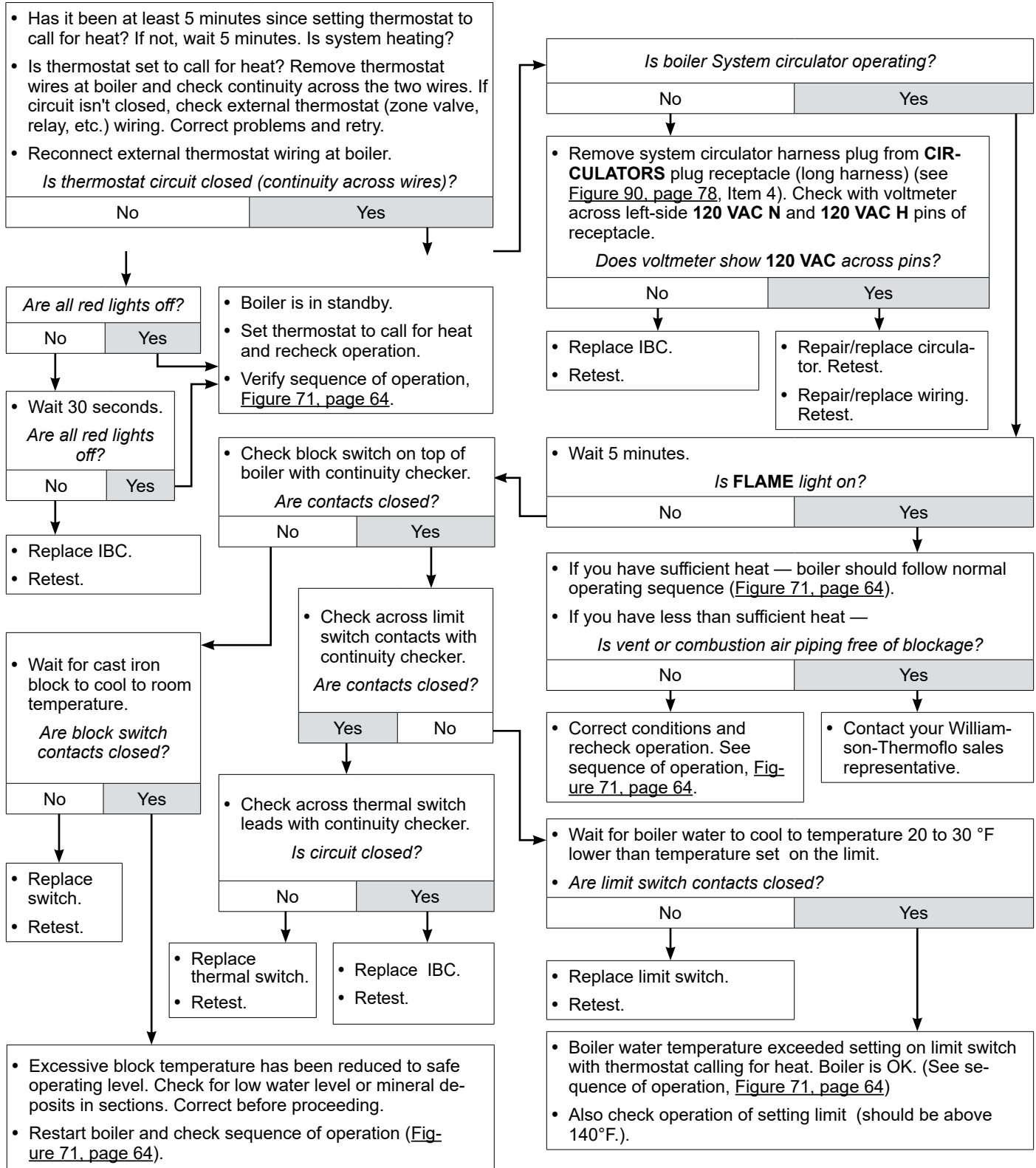
# Troubleshooting *(continued)*

**CHART 7**

## Insufficient heat or no heat to system (POWER light on steady)



**Electrical shock hazard** — Wherever you see TURN OFF POWER, follow the instructions. Failure to follow instructions could result in severe personal injury, death or substantial property damage.



# Handling ceramic fiber and fiberglass materials

## HANDLING CERAMIC FIBER MATERIALS

### ⚠ WARNING

This boiler contains ceramic fiber materials that have been identified as carcinogenic, or possibly carcinogenic, to humans. Ceramic fibers can be converted to cristobalite in very high temperature applications. The International Agency for Research on Cancer (IARC) has concluded, “Crystalline silica inhaled in the form of quartz or cristobalite from occupational sources is carcinogenic to humans (Group 1).”:

- Avoid breathing dust and contact with skin and eyes.
  - Use NIOSH certified dust respirator (N95). This type of respirator is based on the OSHA requirements for cristobalite at the time this document was written. Other types of respirators may be needed depending on the job site conditions. Current NIOSH recommendations can be found on the NIOSH web site at <http://www.cdc.gov/niosh/homepage.html>. NIOSH approved respirators, manufacturers, and phone numbers are also listed on this web site.
  - Wear long-sleeved, loose fitting clothing, gloves, and eye protection.
- Apply enough water to the combustion chamber lining or base insulation to prevent airborne dust.
- Remove combustion chamber lining or base insulation from the boiler and place it in a plastic bag for disposal.
- Wash potentially contaminated clothes separately from other clothing. Rinse clothes washer thoroughly.

### NIOSH stated First Aid

- Eye: Irrigate immediately
- Breathing: Fresh air

## REMOVAL OR INSTALLATION OF FIBERGLASS WOOL

### ⚠ WARNING

This product contains fiberglass jacket insulation and ceramic fiber materials in combustion chamber lining or base panels in gas fired products. Airborne fibers from these materials have been listed by the State of California as a possible cause of cancer through inhalation.

- Avoid breathing dust and contact with skin and eyes.
  - Use NIOSH certified dust respirator (N95). This type of respirator is based on the OSHA requirements for fiberglass wool at the time this document was written. Other types of respirators may be needed depending on the job site conditions. Current NIOSH recommendations can be found on the NIOSH web site at <http://www.cdc.gov/niosh/homepage.html>. NIOSH approved respirators, manufacturers, and phone numbers are also listed on this web site.
  - Wear long-sleeved, loose fitting clothing, gloves, and eye protection.
- Operations such as sawing, blowing, tear out, and spraying may generate airborne fiber concentration requiring additional protection.
- Wash potentially contaminated clothes separately from other clothing. Rinse clothes washer thoroughly.

### NIOSH stated First Aid

- Eye: Irrigate immediately
- Breathing: Fresh air

# Replacement parts

**Figure 93** Miscellaneous parts

Description	Model	Williamson-Thermoflo part number
Vent termination plate for 3" AL29-4C or 3" PVC pipes (plate includes knockouts to provide larger holes needed for PVC)	All	452-100-163WT
Vent Termination Bird Screen 3" PVC (1 pc)	All	383-500-105WT
Termination bag assembly (includes two 2-hole sidewall termination plates and two bird screens, mounting screws and plastic anchors)	All	542-200-314WT
3" PVC Concentric Vent Kit	All	383-500-350WT
Adapter 3-inch AL29-4C Vent Starter, FasNSeal	All	560-907-717WT
Adapter 3-inch AL29-4C Vent Starter, Z-Vent	All	560-907-723WT
Adapter 3-inch AL29-4C Vent Starter, Saf-T-Vent	All	560-907-724WT
Adapter 3-inch AL29-4C Vent Starter, CORR/GUARD	All	Contact Williamson-Thermoflo
Chemicals: Antifreeze, aluminum-safe, Sentinel X500 . . . . . Corrosion inhibitor, Sentinel X100 . . . . . Sentinel X100 Inhibitor Test Kit . . . . . Cleaner, Sentinel X400 (1 gallon) . . . . .	All	592-900-004WT 592-900-002WT 592-900-005WT 592-900-028WT
Condensate neutralizer kit	All	383-500-631WT
Oil Lubricant 3 Oz. Andersol 465	All	592-900-015WT



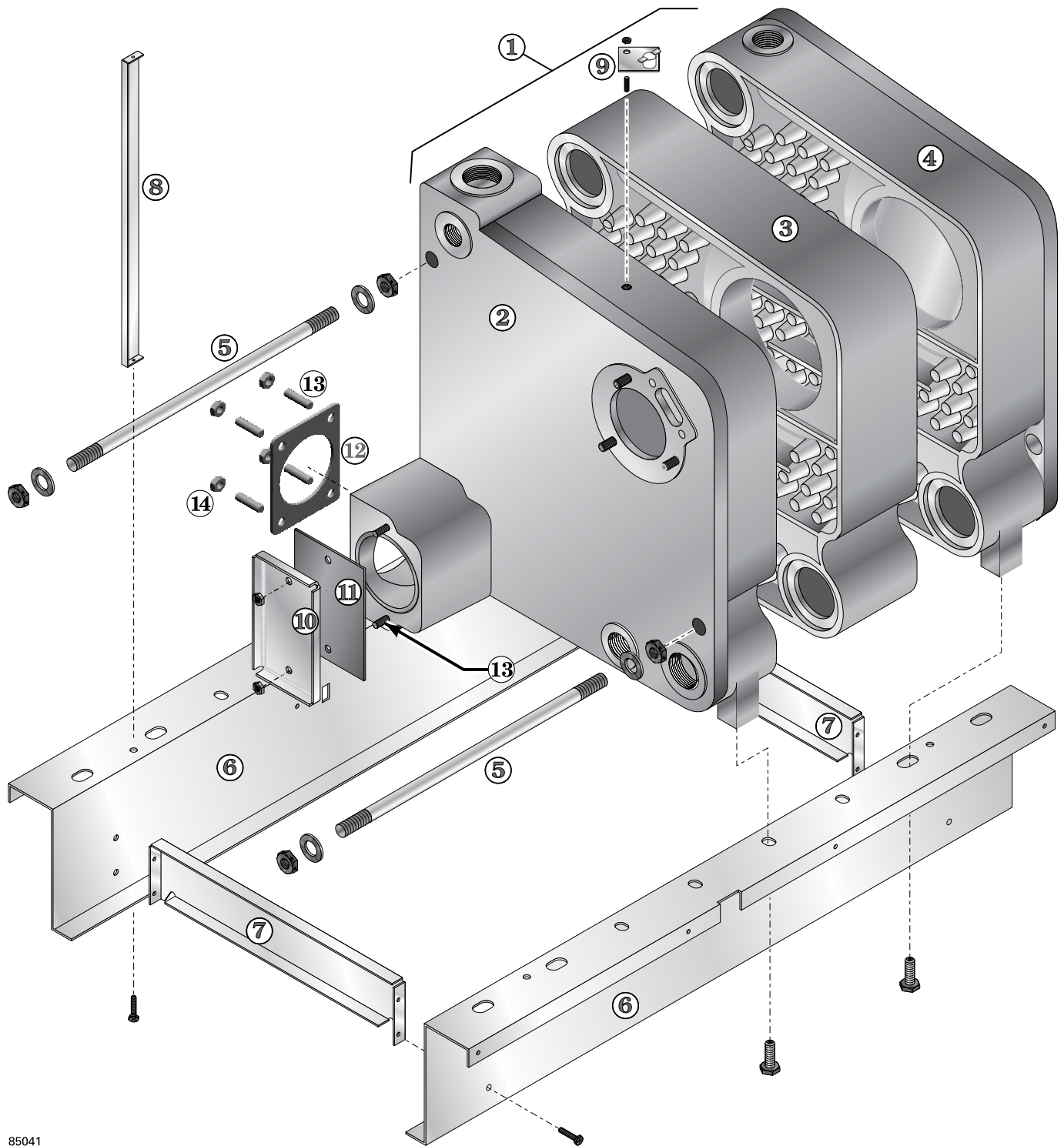
# Replacement parts *(continued)*

**Figure 94** Section assembly

Item number	Description	Model	Williamson-Thermoflo part number
1	Block assembly, includes: Front section, intermediate section, back section, square cut seals — 2", silicone sealant, tie rods, tie rod nuts, tie rod washers, blower flange gasket, igniter, igniter gasket, screws, lock washers, studs, nuts	070 105 140 175	322-200-304WT 322-200-305WT 322-200-306WT 322-200-307WT
2	Front section replacement kit, includes front section, square cut seals (4), silicone sealant, blower flange gasket, igniter gasket, studs (13), nuts (13)	All	382-200-713WT
3	Intermediate section (also required Section replacement kit)	All	312-200-110WT
4	Back section (also required Section replacement kit)	All	312-200-130WT
Not shown	Section replacement kit	All	382-200-305WT
5	Tie rods	070 105 140 175	560-234-499WT 560-234-525WT 560-234-503WT 560-234-504WT
6	Base rail legs — (2) per boiler	070 and 105 140 and 175	452-100-173WT 452-100-174WT
7	Base rail brace — (2) per boiler	All	452-100-080WT
8	Blower housing support	All	452-100-111WT
9	Block temperature limit switch	All	382-200-375WT
10	Inspection port cover	All	In Insp. port kit
11	Inspection port gasket	All	590-317-628WT
—	Inspection port kit (includes cover and gasket)	All	542-200-181WT
12	Recuperator connection gasket	All	590-317-653WT
13	Stud, <b>1/2"</b> – 18 x 1 1/4"	All	560-340-581WT
14	Hex nuts (4 each), <b>1/2"</b> / lock washers (4 each), <b>1/2"</b>	All	Obtain locally

# Replacement parts *(continued)*

Figure 95 Section assembly



85041

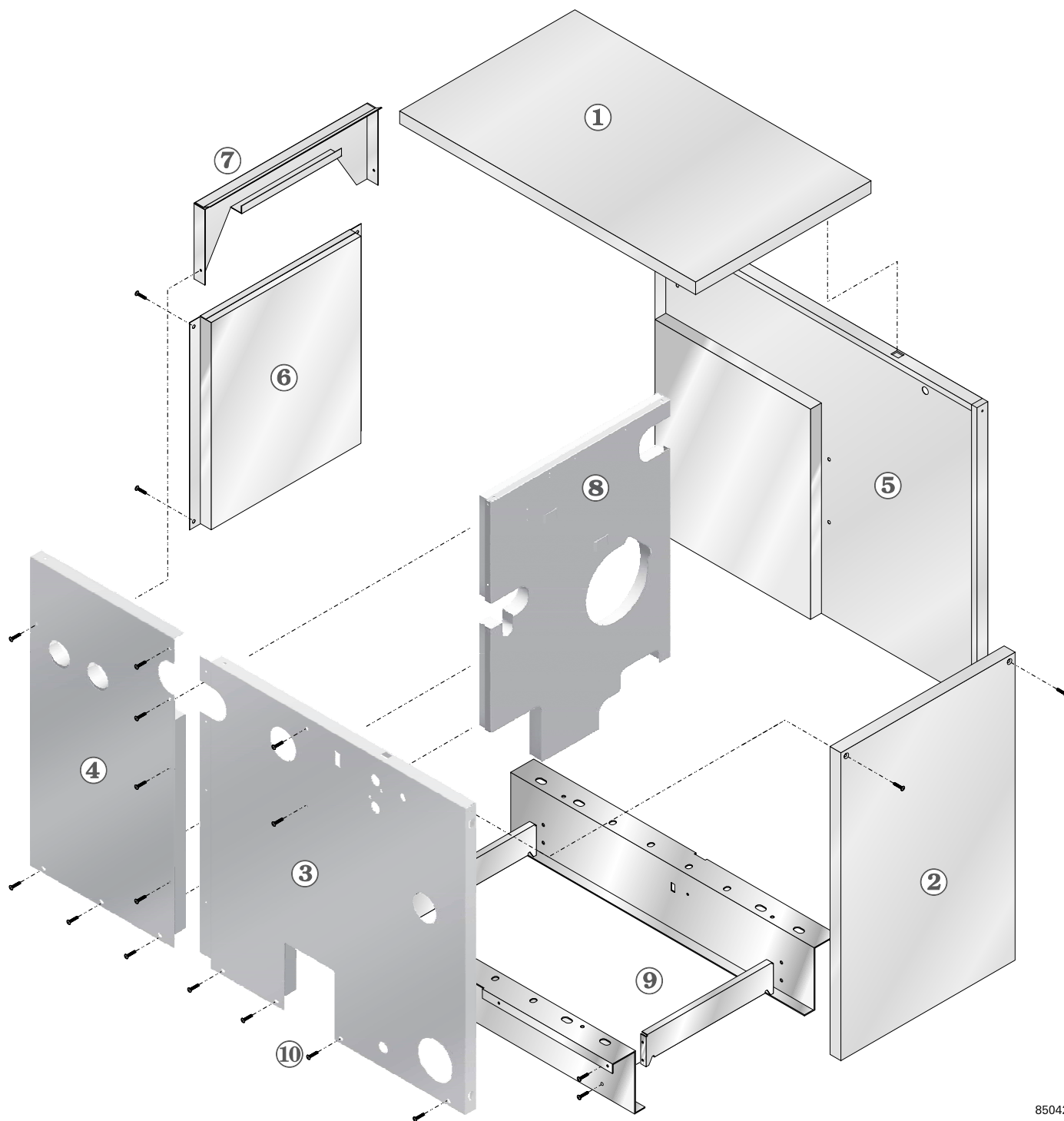
# Replacement parts *(continued)*

**Figure 96** Jacket assembly

Item number	Description	Model	Williamson-Thermoflo part number
1	Jacket panel, top	070 and 105 140 and 175	382-200-735WT 382-200-736WT
2	Jacket panel, front	All	382-200-702WT
3	Jacket panel, left side, front	070 105 140 175	382-200-730WT 382-200-731WT 382-200-732WT 382-200-733WT
4	Jacket panel, left side, rear	070 and 105 140 and 175	382-200-705WT 382-200-706WT
5	Jacket panel, right side	070 and 105 140 and 175	382-200-724WT 382-200-725WT
6	Jacket panel, rear	All	382-200-726WT
7	Jacket brace	All	422-200-193WT
8	Jacket panel, interior	All	382-200-727WT
9	Base rail assembly	All	see <a href="#">Figure 94, page 90</a> items 6 and 7
10	Screw, sheet metal type AB, serrated hex washer head Phillips #10 x 3/8" steel black phosphate	All	—

# Replacement parts *(continued)*

**Figure 97** Jacket assembly



85042

# Replacement parts *(continued)*

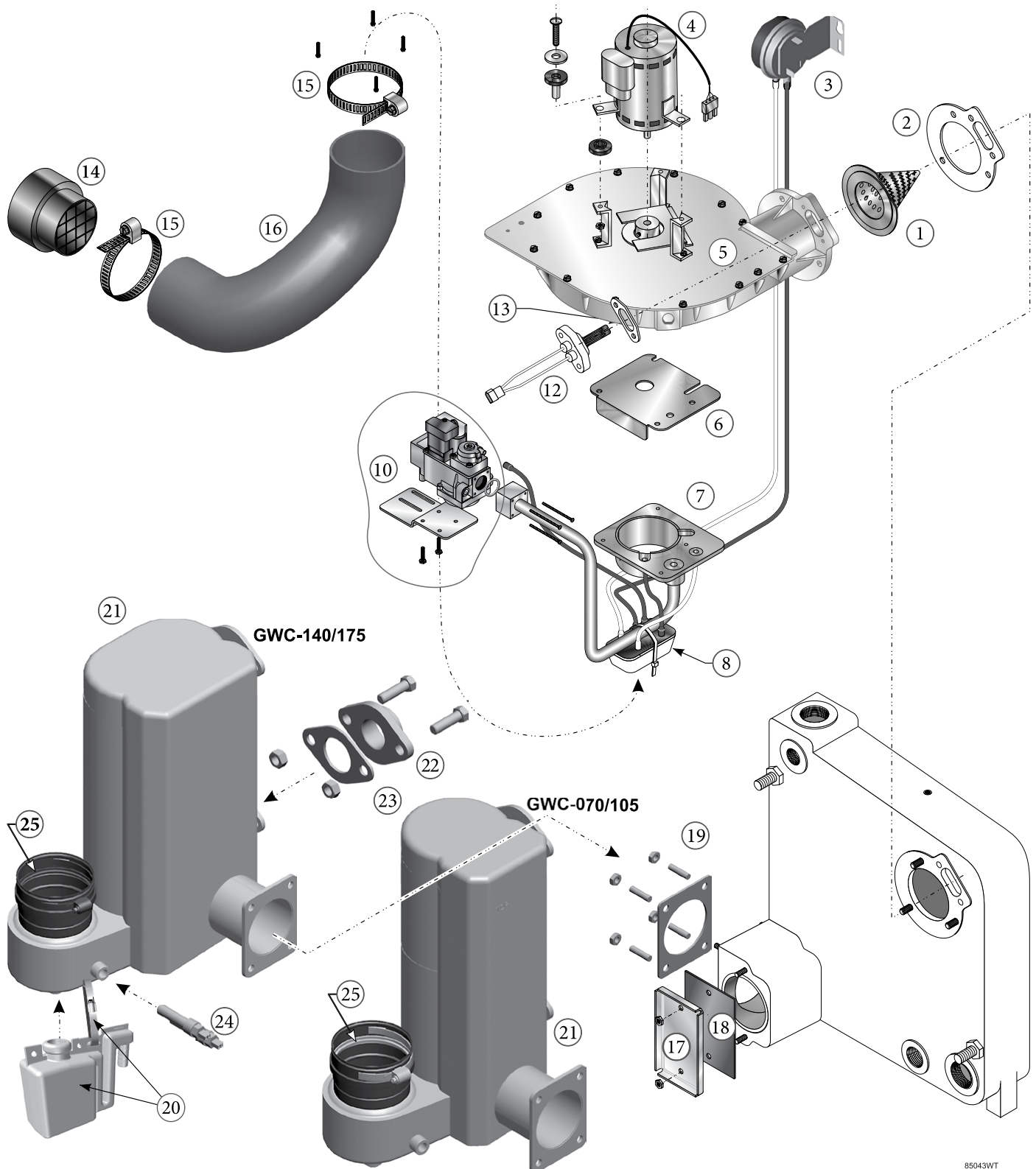
**Figure 98** Blower assembly

Item number	Description	Model	Williamson-Thermoflo part number
1	Burner replacement kit, includes burner, blower flange gasket, igniter, igniter screws, igniter washers, igniter gasket	070 105 140 175	382-200-320WT 382-200-325WT 382-200-330WT 382-200-335WT
2	Blower flange gasket	All	590-317-610WT
3	Air pressure switch (0 to 5,500 feet elevation)	All	382-200-723WT
—	Air pressure switch (5,500 to 10,000 feet elevation)	All	382-200-728WT
4	Blower motor replacement kit, includes blower motor, motor mounting grommets, screws, lock nuts and 9" Allen wrench	All	381-356-584WT
5	Blower housing assembly replacement kit, includes: blower housing, obsv. port, blower housing cover plate, blower motor mounting brackets, washer hold down bracket, lock nuts, motor mount grommets, blower motor, blower wheel, magnetic washer, silicone sealant, screws, blower flange gasket, igniter, igniter washers, igniter screws, igniter gasket	All	381-356-587WT
6	Conversion kit, <b>natural to propane</b> , includes . . . . . Propane orifice plate, label	070 105 140 175	510-811-926WT 510-811-927WT 510-811-928WT 510-811-929WT
	Orifice plate, <b>natural gas</b> . . . . .	070 105 140 175	510-811-934WT 510-811-935WT 510-811-936WT 510-811-937WT
7	Gas/air manifold assembly, includes gas/air manifold, gas tubing, washers, screws, gas valve o-ring	All	382-200-362WT
8	Sense line condensate trap, includes sense line condensate trap and hoses	All	382-200-409WT
10	Gas valve kit, complete, includes gas valve, gas cock, 1/2" nipple, bracket, o-ring, screws	All	382-200-411WT
12	Igniter replacement kit, includes igniter and gasket	All	511-330-148WT
13	Igniter gasket	All	590-317-599WT
14	Inlet air tube with grill	All	382-200-310WT
15	Hose clamp, 3"	All	591-850-068WT
16	Inlet air hose, 3" by 19" long	All	562-302-573WT
17 & 18	Inspection port cover and Inspection port gasket	All	see <a href="#">Figure 94, page 90</a> items 10 and 11
19	Recuperator connection gasket	All	590-317-653WT
20	Condensate trap	All	382-200-415WT
21	Recuperator kit, includes recuperator, recuperator connection gasket, diamond flange gasket (2), connection hardware (4-nuts), flue gas thermal switch	070 and 105 140 and 175	382-200-714WT 382-200-715WT
22	Diamond flange, 1" npt	All	see item 24
23	Diamond flange gasket	All	590-317-535WT
24	Flue gas thermal switch	All	511-724-295WT
25	Recuperator vent pipe seal	All	593-000-006WT



# Replacement parts *(continued)*

**Figure 99** Blower assembly



85043WT

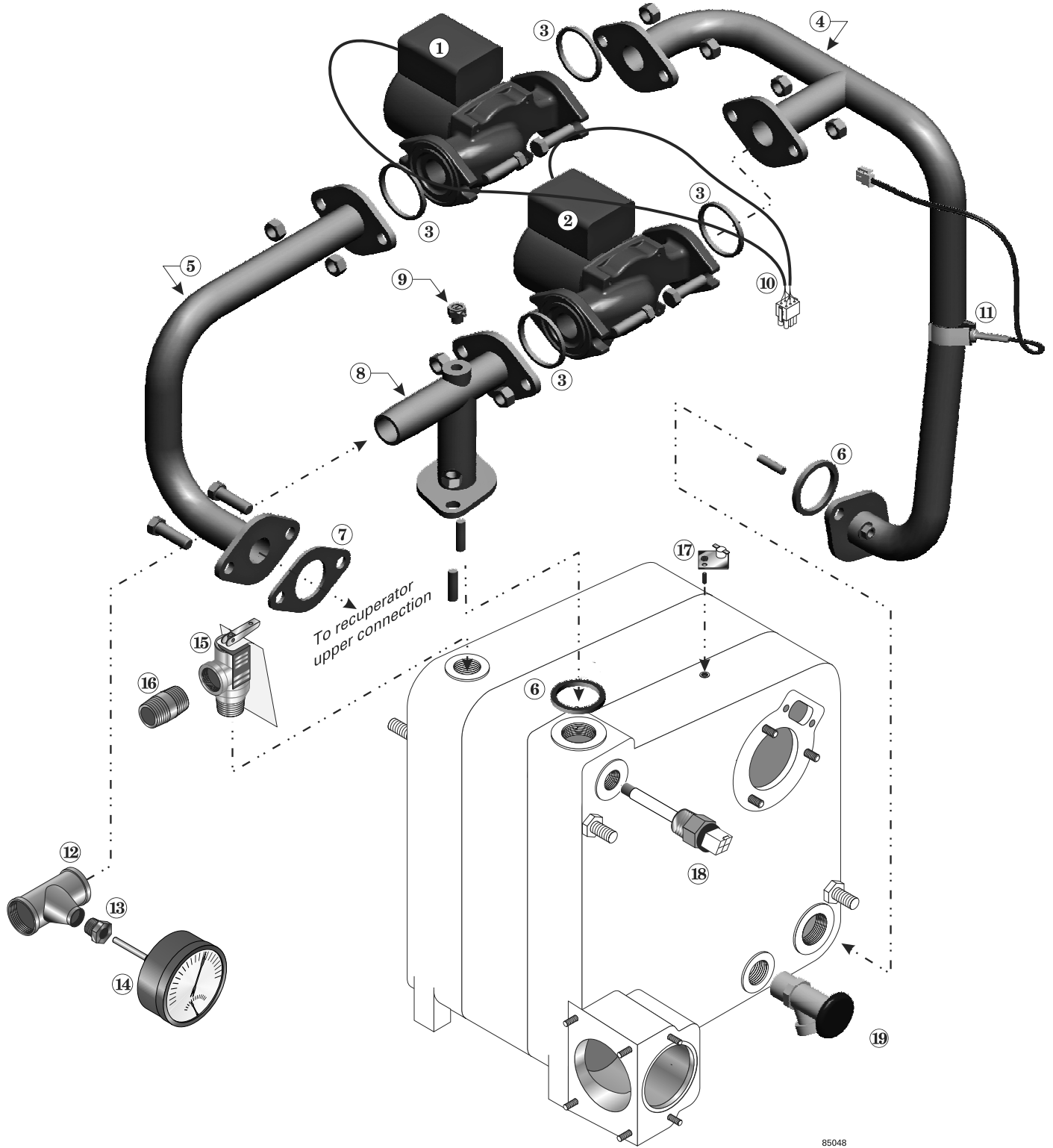
# Replacement parts *(continued)*

**Figure 100** Trim assembly

Item number	Description	Williamson-Thermoflo part number
1	System circulator, Taco 007	511-405-113WT
2	Bypass circulator, Taco 007	511-405-113WT
3	Circulator gasket, Taco 110-339	590-317-543WT
4	Manifold, casting/circulator kit, includes water manifold, circulator gasket (Taco 110-339) (2), square cut seal (manifold to casting)	382-200-720WT
5	Return manifold, recuperator/circulator kit, includes water manifold, circulator gasket (Taco 110-339) (1), diamond gasket	382-200-721WT
6	Square cut seal gaskets, casting, 2.31"	572-800-011WT
7	Diamond flange gasket	590-317-535WT
8	Supply manifold kit, includes water manifold, circulator gasket (Taco 110-339) (1), square cut seal (manifold to casting)	382-200-722WT
9	Coin-operated air vent, 1/8" NPT	570-148-565WT
10	Wiring harness, circulators to IBC	591-391-824WT
11	Return water temperature sensor and clip	511-330-089WT
12	Tee, 1" x 1" x 3/4"	Obtain locally
13	Bushing 3/4" x 1/4"	Obtain locally
14	Temperature and Pressure Gauge, 1/4" NPT	510-218-099WT
15	30 PSIG Relief Valve	511-546-920WT
16	Nipple, NPT — 3/4" x 3"	Obtain locally
17	Block temperature limit switch	382-200-375WT
18	Boiler temperature sensor	381-356-577WT
19	Drain valve, 3/4" NPT	511-546-392WT

# Replacement parts *(continued)*

**Figure 101** Trim assembly



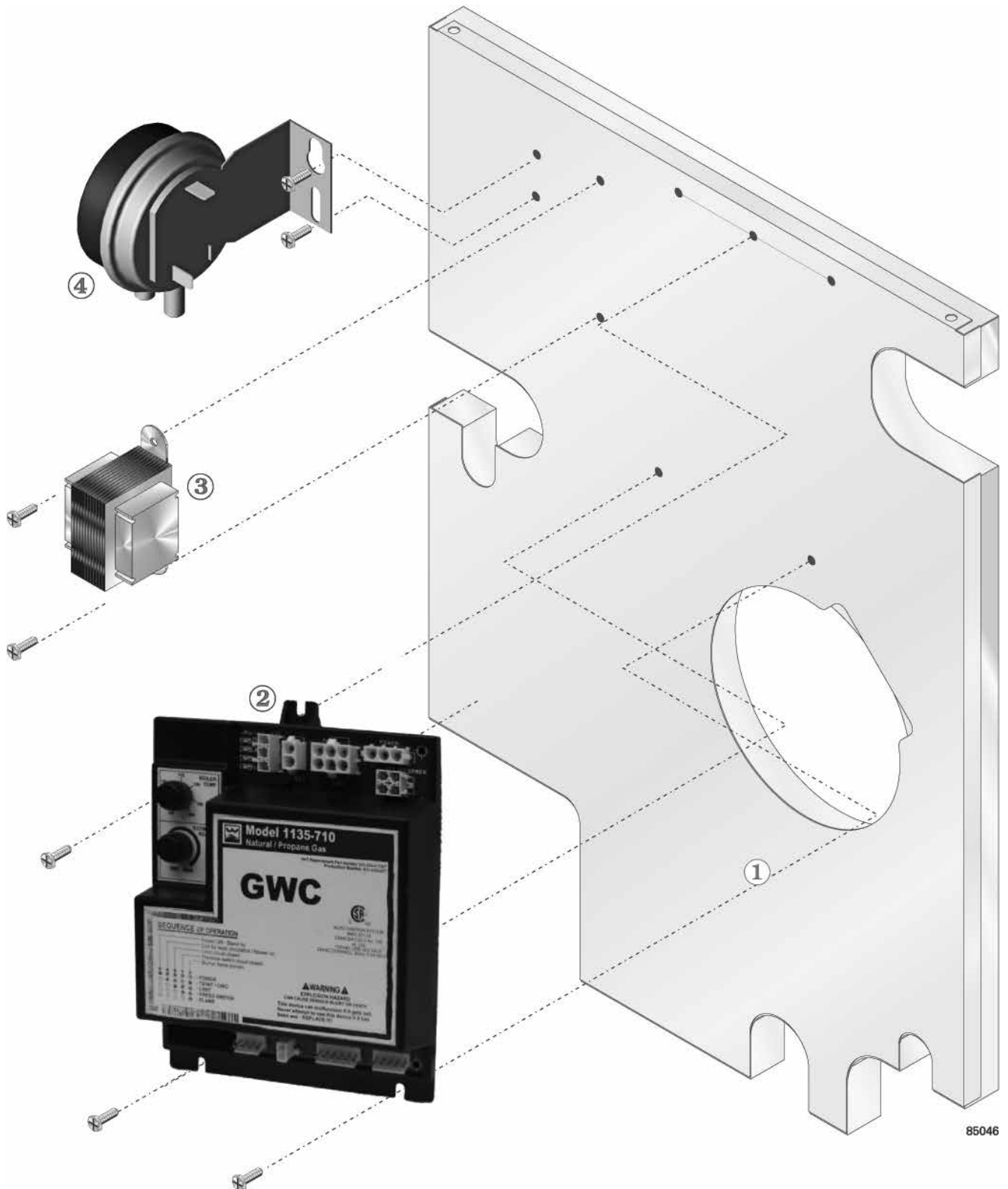
# Replacement parts *(continued)*

**Figure 102** Interior panel

Item number	Description	Williamson-Thermoflo part number
1	Interior panel	see <a href="#">Figure 96, page 92</a> , item 8
2	Integrated boiler control assembly, includes IBC and screws	381-330-017WT
3	Transformer	381-356-578WT
4	Air pressure switch	see <a href="#">Figure 98, page 94</a> item 3
not shown	Wiring harness, IBC to hot surface ignitor	591-391-819WT
not shown	Wiring harness, IBC to system and bypass circulators	591-391-824WT
not shown	Wiring harness, IBC to junction box	591-391-984WT
not shown	Wiring harness, IBC to controls	591-391-985WT
not shown	Wiring harness, Thermostat	591-392-005WT
not shown	Wiring harness, Sensor	591-391-995WT

# Replacement parts *(continued)*

**Figure 103** Interior panel

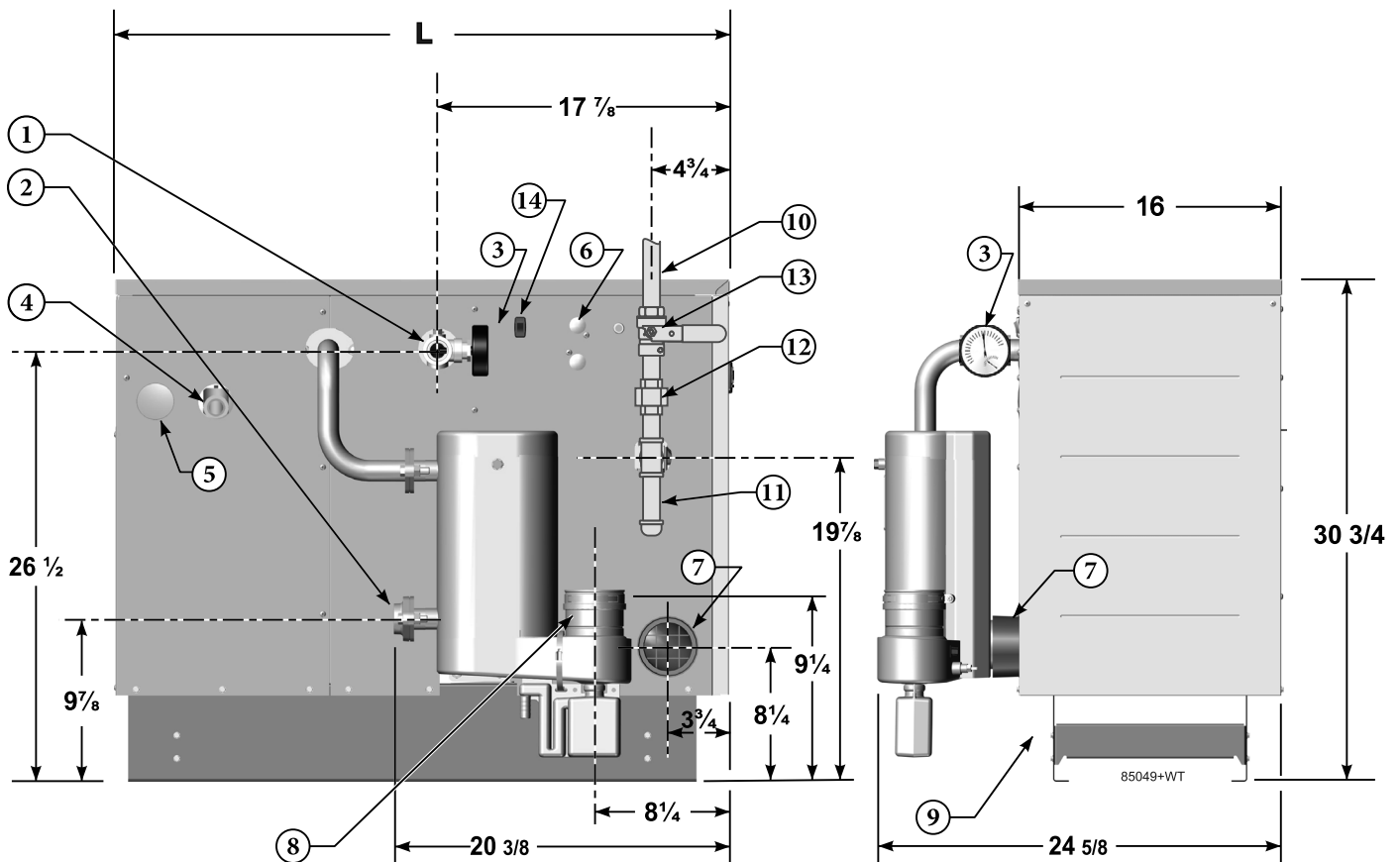


85046



# Dimensions and ratings

**Figure 104** Dimension drawing (see [Figure 105](#), page 101 for dimensional table)



Item number	Description
1	1" NPT Supply
2	1" NPT Return
3	Combination pressure-temperature gauge, 2 1/2" short shank
4	3/4" NPT Relief valve outlet
5	Plug dome, 2" black
6	Junction box
7	Inlet air fitting, 3" PVC
8	Flue outlet, 3" PVC
9	1/2" Condensate drain
10	1/2" NPT Gas supply connection (provided by others)
11	Drip leg (provided by others)
12	Union (provided by others)
13	Manual main shutoff gas valve (provided by others)
14	ON/OFF switch

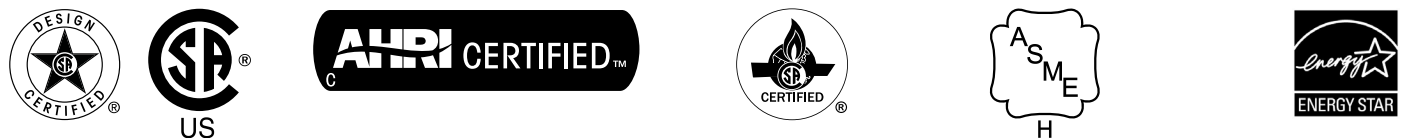
# Dimensions and ratings *(continued)*

**Figure 105** Boiler dimensional and physical data (see Figure 104, page 100)

Boiler model	Supply	Return	Length L	Gas connection size (Note 1)	Electrical service required <small>(includes the internal circulators)</small>	Boiler water content	Approx. shipping weight
	(inches NPT male)	(inches NPT female)	(inches)	(inches NPT female)	(amperes)	(gallons)	(pounds)
<b>GWC-070</b>	1	1	30¾	½	15	3.8	313
<b>GWC-105</b>	1	1	30¾	½	15	4.7	353
<b>GWC-140</b>	1	1	37¾	½	15	6.0	423
<b>GWC-175</b>	1	1	37¾	½	15	6.9	464

Note 1: Gas piping from meter to boiler to be sized per local utility requirements.

**Figure 106** Boiler ratings



**AHRI Certified Ratings**

Boiler model	CSA Input	Heating capacity (Note 1)	Net water rating (Note 2)	Seasonal Efficiency (Note 1)	Vent/ combustion air diameter	Boiler water content	% Input derate vs vent length <i>(Values shown are at maximum vent/air pipe length)</i> (Note 3)			
							Direct Exhaust Venting		Direct Vent Venting	
							Natural gas	Propane	Natural gas	Propane
<b>GWC-070</b>	<b>70</b>	<b>65</b>	<b>57</b>	<b>91.9</b>	3" PVC	3.8	up to 0.7%	up to 1.4%	up to 1.5%	up to 2.8%
<b>GWC-105</b>	<b>105</b>	<b>97</b>	<b>84</b>	<b>91.2</b>	3" PVC	4.7	up to 1.0%	up to 2.2%	up to 4.0%	up to 5.4%
<b>GWC-140</b>	<b>140</b>	<b>130</b>	<b>113</b>	<b>91.4</b>	3" PVC	6.0	up to 4.0%	up to 4.0%	up to 7.0%	up to 8.0%
<b>GWC-1750</b>	<b>175</b>	<b>161</b>	<b>140</b>	<b>91.0</b>	3" PVC	6.9	up to 4.0%	up to 4.5%	up to 7.0%	up to 10.0%

- Notes:**
1. Based on standard test procedures prescribed by the United States Department of Energy. Ratings also referred to as CSA Output. NOTE that only **Heating Capacity** and **AFUE** are certified by AHRI. AFUE is also known as Annual Fuel Utilization Efficiency or Seasonal Efficiency.
  2. Net AHRI ratings are based on net installed radiation of sufficient quantity for the requirements of the building and nothing need be added for normal piping and pickup. Ratings are based on a piping and pickup allowance of 1.15 and are determined under the provisions governing forced draft boiler-burner units. An additional allowance should be made for unusual piping and pickup loads.
  3. All of the boilers will automatically de-rate as vent length increases, due to the pressure loss through the vent. For vent/air pipe lengths less than the maximum, the derate equals the value above times vent length ÷ 100.
  4. Boilers are tested for 50 PSIG working pressure.
  5. GWC boilers are not available for millivolt systems.

# Dimensions and ratings *(continued)*

**Figure 107** Multiple GWC boilers — ratings and engineering data — maintain the clearances shown on [pages 6 and 7](#) — see [Figure 28, page 23](#) and [Figure 29, page 23](#) for layout options

Boilers in system Model GWC				Total CSA input	DOE Heating capacity	Boiler H.P.	Net water ratings	Manifolded combustion air duct size
				Input, MBH	Output, MBH	-	MBH	Square inches
<b>070</b>	<b>105</b>	<b>140</b>	<b>175</b>	-	Note 1	-	Note 2	Note 3 <a href="#">Figure 37, page 31</a>
2				140	130	3.9	112	70
	2			210	194	5.8	168	105
		2		280	260	7.8	226	140
			2	350	322	9.6	280	175
3				210	195	5.8	168	105
	3			315	291	8.7	252	158
		3		420	390	11.7	339	210
			3	525	483	14.4	420	263
4				280	260	7.8	224	140
	4			420	388	11.6	336	210
		4		560	520	15.5	452	280
			4	700	644	19.2	560	350
5				350	325	9.7	280	175
	5			525	485	14.5	420	263
		5		700	650	19.4	565	350
			5	875	805	24	700	438
6				420	390	11.7	336	210
	6			630	582	17.4	504	315
		6		840	780	23.3	678	420
			6	1050	966	28.9	840	525
7				490	455	13.6	392	245
	7			735	679	20.3	588	368
		7		980	910	27.2	791	490
			7	1225	1127	33.7	980	613
8				560	520	15.5	448	280
	8			840	776	23.2	672	420
		8		1120	1040	31.1	904	560
			8	1400	1288	38.5	1120	700
<b>Note 1</b>	Based on standard test procedures outlined by DOE for individual boilers.							
<b>Note 2</b>	Net AHRI ratings are based on piping and pickup allowance of 1.15. Consult Williamson-Thermoflo for other allowances.							
<b>Note 3</b>	All GWC installations require a separate vent pipe and termination for each boiler. <b>Vent piping cannot be manifolded.</b> Install and terminate vents as described in vent/air installation instructions in this manual. Combustion air piping can be individually piped or manifolded. See <a href="#">Figure 37, page 31</a> , for manifolded air piping.							

# Dimensions and ratings *(continued)*

**Figure 108** Engineering data — see [page 101](#) for additional technical information

Boiler Model	Water flow rate per boiler		Vent/air pipe size — Provide a separate vent for each boiler Note 1
	GPM @ 20°F rise	GPM @ 40°F rise	
<b>GWC-070</b>	6.5	3.3	3"
<b>GWC-105</b>	9.7	4.9	3"
<b>GWC-140</b>	13.0	6.5	3"
<b>GWC-175</b>	16.1	8.1	3"

**Note 1** All GWC installations require a separate vent pipe and termination for each boiler. **Vent piping cannot be manifolded.** Install and terminate vents as described in vent/air installation instructions in this manual. Combustion air piping can be individually piped or manifolded. See [Figure 37, page 31](#), for manifolded air piping.

## Installation and service certificate

Boiler model \_\_\_\_\_ Series \_\_\_\_\_ Consumer Protection (CP) number \_\_\_\_\_ Date installed \_\_\_\_\_

- Measured Btuh input \_\_\_\_\_
- Installation instructions have been followed.
  - Check-out sequence has been performed.
  - Above information is certified to be correct.
  - Information received and left with owner/maintenance person.

Installer \_\_\_\_\_ (company) \_\_\_\_\_ (address) \_\_\_\_\_ (phone)

\_\_\_\_\_  
(installer's signature)

**WM Technologies, LLC**  
**N93 W14635 Whittaker Way**  
**Menomonee Falls, WI 53051**  
***williamson-thermoflo.com***

Part number 550-142-786/0324