

# Thermoflo

# GW

Series 2

**Induced-Draft Combustion System**

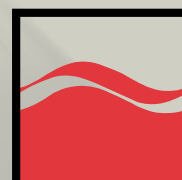
**Factory -Packaged**

**47,500 to 190,000 Btuh Input**

**Natural Gas or Propane**

## Gas-Fired Water Boiler

- Versatile
  - Induced-draft design allows sidewall or chimney venting
- Inferred heat program providing automatic adjustment of boiler water temperature to match demand
- Spark (intermittent) pilot system
- Control module with indicator lights
- Easy service
  - One-piece access door
  - All controls in easy reach
- Cast iron sections with built-in air separator
- Compact design
- Insulated heavy-gauge steel jacket



# Thermoflo

# RATINGS

Model	Input (Btuh)	AHRI Certified Ratings			Boiler water content (gallons)	Vent Size: Direct exhaust venting	Chimney/breeching size: Atmospheric venting	Circulator flange size (Recommended supply & return pipe size, NPT)
		Heating Capacity (Btuh) (1)	Net Ratings (Btuh) (2)	AFUE % (1)				
<b>GWI-047</b>	47,500	39,900	37,000	83.0	1.5	3"	4"	3/4"
<b>GWI-063</b>	63,000	52,700	49,000	83.3	1.5	3"	4"	1"
<b>GWI-095</b>	95,000	79,800	73,000	83.0	2.1	3"	5"	1"
<b>GWI-127</b>	127,000	106,000	97,000	82.7	2.7	3"	5"	1"
<b>GWI-158</b>	158,000	131,500	121,000	82.4	3.3	3"	5"	1 1/4"
<b>GWI-190</b>	190,000	157,700	144,000	82.1	3.8	3"	5"	1 1/4"

1. Based on standard test procedures prescribed by the United States Department of Energy.

2. Net AHRI ratings are based on net installed radiation of sufficient quantity for the requirements of the building and nothing need be added for normal piping and pickup. Ratings are based on a piping and pickup allowance of 1.15. An additional allowance should be made for unusual piping and pickup loads.

• Contact your local dealer regarding information and parts for high altitude applications.

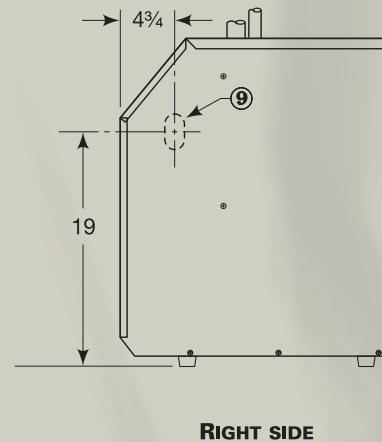
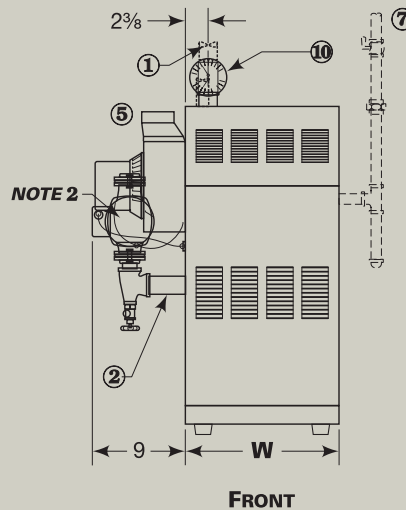
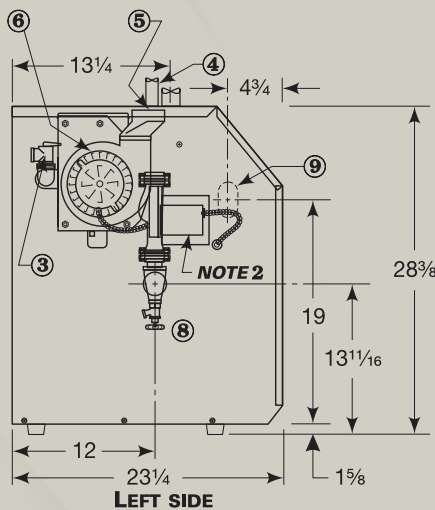
• Boiler model order code suffix: N (natural gas) L (Propane) T (Taco circulator)

# DIMENSIONS

GWI boilers are CSA design certified for installation on combustible flooring. (Do not install on carpeting)

ALL DIMENSIONS IN INCHES

**VENTING:**  
When connecting boiler as direct exhaust, use only AL29-4C venting per instructions in Boiler Manual.



Boiler Model	W Width
GWI-047	10
GWI-063	10
GWI-095	13
GWI-127	16
GWI-158	19
GWI-190	22

- ① Supply piping (Note 1)
- ② Return piping (Note 1)
- ③ Relief valve, 3/4" NPT
- ④ 1/2" NPT to expansion tank/air vent
- ⑤ Vent connection, 3" diameter
- ⑥ Inducer
- ⑦ Gas supply piping
- ⑧ Drain valve
- ⑨ Gas supply entrance (right or left side)
- ⑩ Pressure/temperature gauge (in tee on supply)

Note 1: Boiler supply and return tappings are 1 1/4" NPT. Circulator flanges shipped with boiler are sized to recommended pipe size listed in RATINGS table, above.

Note 2: Boiler circulator is shipped loose. Circulator may be mounted on either boiler supply or return piping.

## EQUIPMENT

- Factory tested
- Insulated extended steel jacket
- Cast iron sections with built-in air separator
- Induced-draft blower assembly
- Air pressure switch
- Stainless steel burners
- Electrical junction box
- 24-VAC combination gas valve
- Boiler control module with indicator lights
- Taco 007 circulator
- High temperature limit control
- 30 PSIG ASME relief valve
- Combination pressure/temperature gauge
- Spark-ignited (intermittent) pilot system
- Electronic ignition/flame supervisory control

## WARRANTY

- Limited lifetime warranty on heat exchanger
- 1-year limited warranty on parts
- Optional 5 - or 10-year parts and labor warranty



8201 West Calumet Road • Milwaukee, WI 53223

[www.williamson-thermoflo.com](http://www.williamson-thermoflo.com)



In the interest of continual improvement in product and performance, Thermoflo reserves the right to change specifications without notice.

Form No. T-002 (1012)