

# HIGH-EFFICIENCY DOWNFLOW / HORIZONTAL FURNACE INSTALLER'S INFORMATION MANUAL

## Unit Model Numbers

CSA054NH3R, WTCSA054NH3R, WMCSA054NH3R

CSA072NH3R, WTCSA072NH3R, WMCSA072NH3R

CSA072NH4R, WTCSA072NH4R, WMCSA072NH4R

CSA090NH3R, WTCSA090NH3R, WMCSA090NH3R

CSA090NH4R, WTCSA090NH4R, WMCSA090NH4R

CSA108NH5R, WTCSA108NH5R, WMCSA108NH5R

CSA126NH5R, WTCSA126NH5R, WMCSA126NH5R



**ATTENTION, INSTALLER!** After installing the furnace, show the user how to turn off gas and electricity to the furnace. Point out control and switch locations for turning off gas and electricity. Go over the User's Information Manual and Section 23, "Maintaining Furnace In Good Working Order" in this manual with the user. Make sure the user understands the importance of following all safety precautions, including what could happen if they do not.

Attach the following documents to or adjacent to the furnace. Tell the user where these documents are located.

- User's Information Manual
- Installer's Information Manual
- Parts List
- Warranty Information

While these instructions have been written as accurately and thoroughly as possible, they can not cover every system variation or contingency. Questions of interpretation may arise. For more information, solutions to particular problems or clarification, contact your local distributor or the manufacturer.

**ATTENTION, USER!** Your furnace installer should give you the documents listed on opposite side. You should immediately read the User's Information Manual for important safety information to keep you and your family safe. Keep these as long as you keep your furnace. Pass them on to future furnace purchasers or users. If any of the documents are missing or illegible, contact your installer or furnace manufacturer for replacement. Throughout this manual, when we use the word "you" we refer to the qualified service technician who is responsible for application, installation and service of your furnace.

– Do not store or use gasoline or other flammable vapors and liquids in the vicinity of this or any other appliance.

### WHAT TO DO IF YOU SMELL GAS

- Do not try to light any appliance.
- Do not touch any electrical switch.
- Do not use any phone in your building.
- Immediately call your gas supplier from a neighbor's phone. Follow the gas supplier's instructions.
- If you cannot reach gas supplier, call the fire department.



**WARNING:** Individuals who install this furnace, must have the training and experience necessary to install gas furnaces. They must also have training and experience necessary to install related comfort air conditioning appliances. Improper installation could create a hazard, resulting in the possibility of damage, injury or death.


# TABLE OF CONTENTS

SECTION 1. IMPORTANT SAFETY RULES.....	2
SECTION 2. MEETING CODES .....	3
SECTION 3. DETERMINING BEST FURNACE LOCATION .....	3
SECTION 4. PROVIDING VENTING AND COMBUSTION AIR.....	6
SECTION 5. CONDENSATE DRAIN.....	17
SECTION 6. INSTALLING GAS PIPING .....	19
SECTION 7. INSTALLING ELECTRICAL WIRING .....	20
SECTION 8. SEQUENCE OF OPERATION.....	21
SECTION 9. INSTALLING DUCT SYSTEM .....	23
SECTION 10. SELECTING AND INSTALLING FILTERS .....	24
SECTION 11. CHECKS BEFORE STARTING FURNACE .....	24
SECTION 12. GAS SUPPLY PRESSURE AND PILOT ADJUSTMENT .....	25
SECTION 13. MANIFOLD PRESSURE ADJUSTMENT .....	25
SECTION 14. CHECKING GAS INPUT RATE .....	26
SECTION 15. DERATING FOR HIGH ALTITUDE .....	27
SECTION 16. DETERMINING CORRECT ORIFICE SIZE .....	27
SECTION 17. CHANGING MAIN BURNER ORIFICES .....	28
SECTION 18. ADJUSTING BLOWER SPEED.....	28
SECTION 19. MEASURING DUCT SYSTEM STATIC PRESSURE.....	29
SECTION 20. MEASURING AIR TEMPERATURE RISE .....	30
SECTION 21. CHECKING CONTROLS.....	30
SECTION 22. SETTING BLOWER TIMINGS.....	31
SECTION 23. MAINTAINING FURNACE IN GOOD WORKING ORDER.....	31
SECTION 24. ACCESSORIES .....	32
SECTION 25. OTHER INFORMATION AND PUBLICATIONS.....	32

## SECTION 1. IMPORTANT SAFETY RULES


To alert you to potential hazards, we use the signal words "WARNING" and "CAUTION" throughout this manual. "WARNING" alerts you to situations that could cause or result in serious injury or death. "CAUTION" alerts you to situations that could cause or result in minor or moderate injury or property damage. For a safe and reliable installation be sure to read and follow all warnings and cautions.

We also use the words "must" and "should" in this manual. "Must" is mandatory. "Should" is advisory.



**WARNING:** Read and follow the safety rules in this section and throughout this manual. Failure to do so could cause improper furnace operation, resulting in damage, injury or death.

**Rule 1.** Use only gas approved for use in this furnace, as indicated on furnace rating plate. Use only natural gas in furnaces designed for natural gas. Use only propane (LP) gas in furnaces designed for propane (LP) gas. Make sure furnace will operate properly on the gas type available to user. Do not use butane gas in this furnace.



**WARNING:** Use of a non-approved gas (such as butane) in this furnace could cause sooting or overheating of heat exchanger.

**Rule 2.** Do not install this furnace outdoors or in a mobile home, trailer or recreational vehicle. It is not design certified for these installations. This furnace is suitable for a home built on site or a manufactured home completed at the final site.

**Rule 3.** Air for combustion must not come from a corrosive or contaminated atmosphere. Make sure all combustion and ventilation air requirements are adhered to in addition to local codes and ordinances.


**Rule 4.** This furnace is not to be used for temporary heating of buildings or structures under construction.

**Rule 5.** Provide adequate combustion and ventilation air to space where furnace is being installed unless combustion air is provided directly through an inlet air pipe. Connect this furnace to an approved vent system--venting combustion products outdoors.

**Rule 6.** Check for gas leaks anytime work is done on gas supply line, furnace gas control, pilot and pilot line or main burner manifold.

**Rule 7.** Never test for gas leaks with an open flame. Use a commercial soap solution made specifically for leak detection to check all connections.

**Rule 8.** Completely seal supply and return air ducts to furnace casing. Duct system must run to an area outside furnace room or closet. Seal duct work wherever it runs through walls, ceilings or floors of furnace room or closet.



**WARNING:** Do not install furnace on its back or front. Doing so could cause heat exchanger blockage and damage to heat exchanger.

## SECTION 2. MEETING CODES

This furnace complies with American National Standard and National Standard of Canada for Gas Fired Central Furnaces, ANSI Z21.47 • CAN/CGA-2.3. It is certified for operation with either natural gas or propane (LP) gas for indoor installation in a building constructed on site. It meets the requirement for a 100% shut-off gas control system.

Before installing this furnace, make sure you know all applicable codes. Be sure to consult local authorities having jurisdiction over furnaces for information on electrical wiring, gas piping and venting. The installation of this furnace must conform with local building codes or in the absence of local codes, with ANSI Z223.1, National Fuel Gas Code or CAN/CGA B149, Canadian Installation Codes.

Electrical wiring must conform with local building codes or in the absence of local codes, with the current National Electrical Code, ANSI/NFPA 70 or current Canadian Electrical Code, CSA C22.1.

Select a location that meets all requirements described in this manual for the following:

- Safety
- Minimum Clearances
- Combustion and Ventilation Air
- Venting
- Duct System
- Gas Piping
- Electrical Wiring


Locate furnace as near to the center of the air distribution system as possible.

Provide ample space for servicing and cleaning. Location must allow 30 inches minimum front clearance for service.

## SECTION 3. DETERMINING BEST FURNACE LOCATION


You may install this furnace in the downflow position in an alcove, attic, basement, closet, garage or utility room. See Figure 1.

You may install this furnace in the horizontal air-left or horizontal air-right position in an alcove, attic, basement, garage or utility room. See Figure 1.



**WARNING:** Some insulating materials are combustible. When a furnace is installed in an attic or other insulated space, keep all insulating materials at least 12 inches away from furnace and combustion air inlet. Failure to do so could cause a fire.

You may install furnace on non-combustible flooring or for horizontal installations on wood flooring. You may also install furnace on wood flooring in the downflow position when using a combustible floor base, available from the manufacturer. See parts list.



**WARNING:** Do not install furnace on carpeting, tile or other combustible material except wood flooring. Doing so could cause a fire.

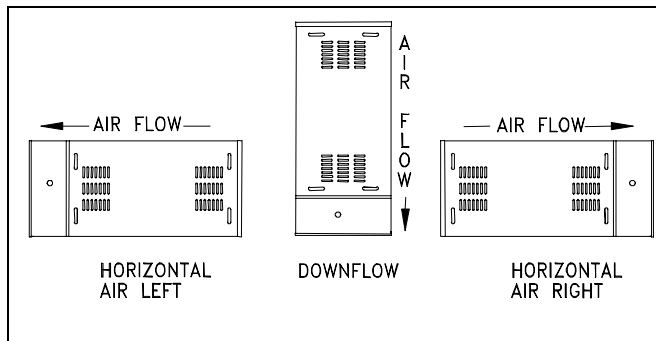


Figure 1. Furnace Installation Positions.

**CAUTION:** Do not install furnace in an area subject to freezing temperatures. Doing so could cause condensate to freeze.

This furnace operates best when return-air temperature is between 55°F and 80°F. Do not install furnace in a location subject to continuous higher or lower temperatures. Continuous operation outside of this range may shorten furnace life.

Install furnace so all electrical components are protected from water.

## LEVELING FURNACE

Furnace must be installed level for proper condensate drainage.

In DOWNFLOW POSITION, furnace must be level or tilted to the front no more than 1/4 inch. Furnace must also be level from side to side within 1/4 inch. See Figure 2.

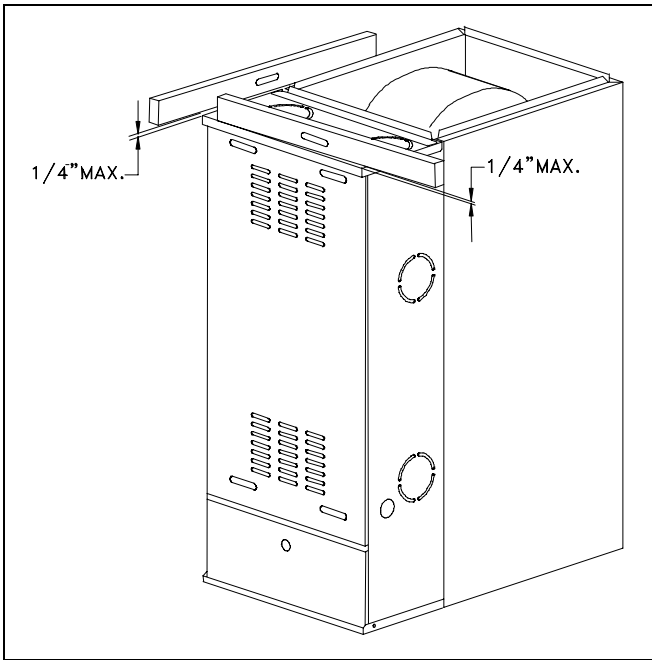


Figure 2. Level furnace or tilt toward front no more than 1/4 inch. Also, level from side to side within 1/4 inch.

In HORIZONTAL POSITIONS, furnace must be level or tilted to the front no more than 1/4 inch and must also be level from side to side or tilted toward burner end no more than 1/4 inch. See Figures 3 and 4.

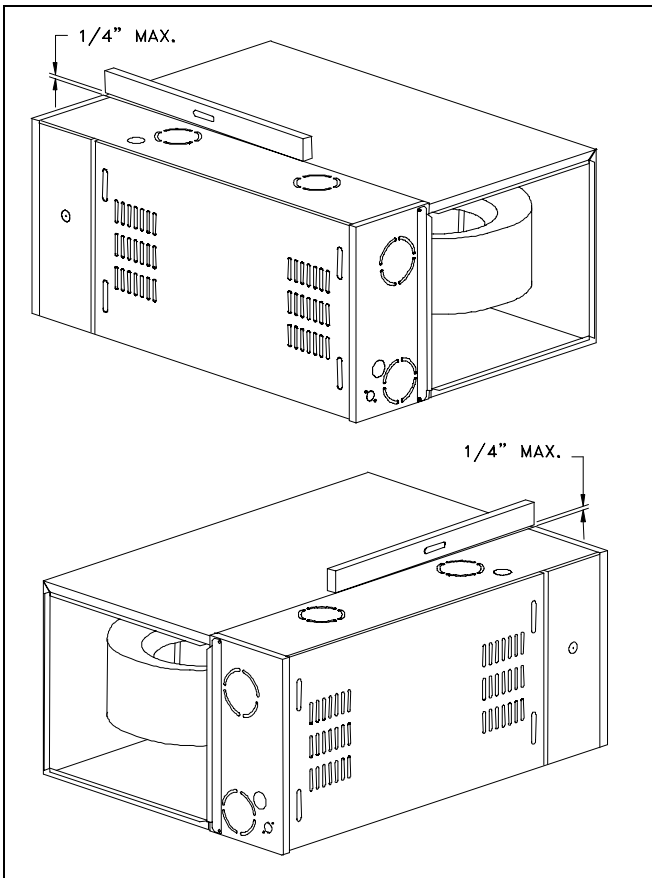


Figure 3. Level furnace or tilt toward burner end no more than 1/4 inch.

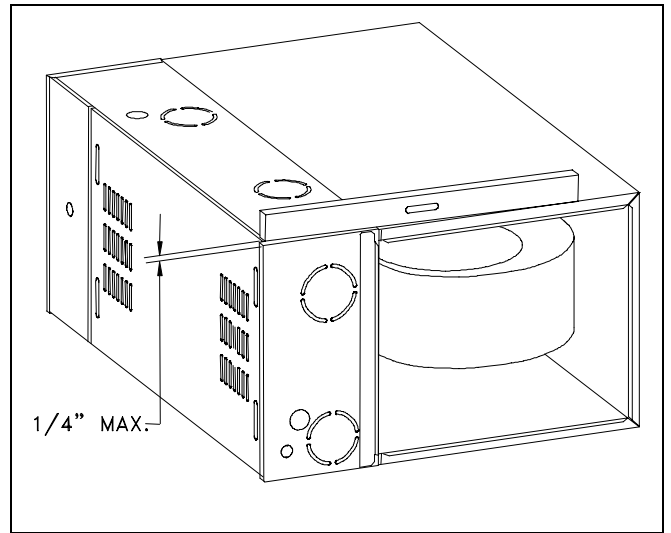


Figure 4. Level furnace or tilt toward front no more than 1/4 inch.

**CAUTION:** Furnace must be installed level. Failure to properly level furnace may result in heat exchanger damage.

## OTHER LOCATION INFORMATION

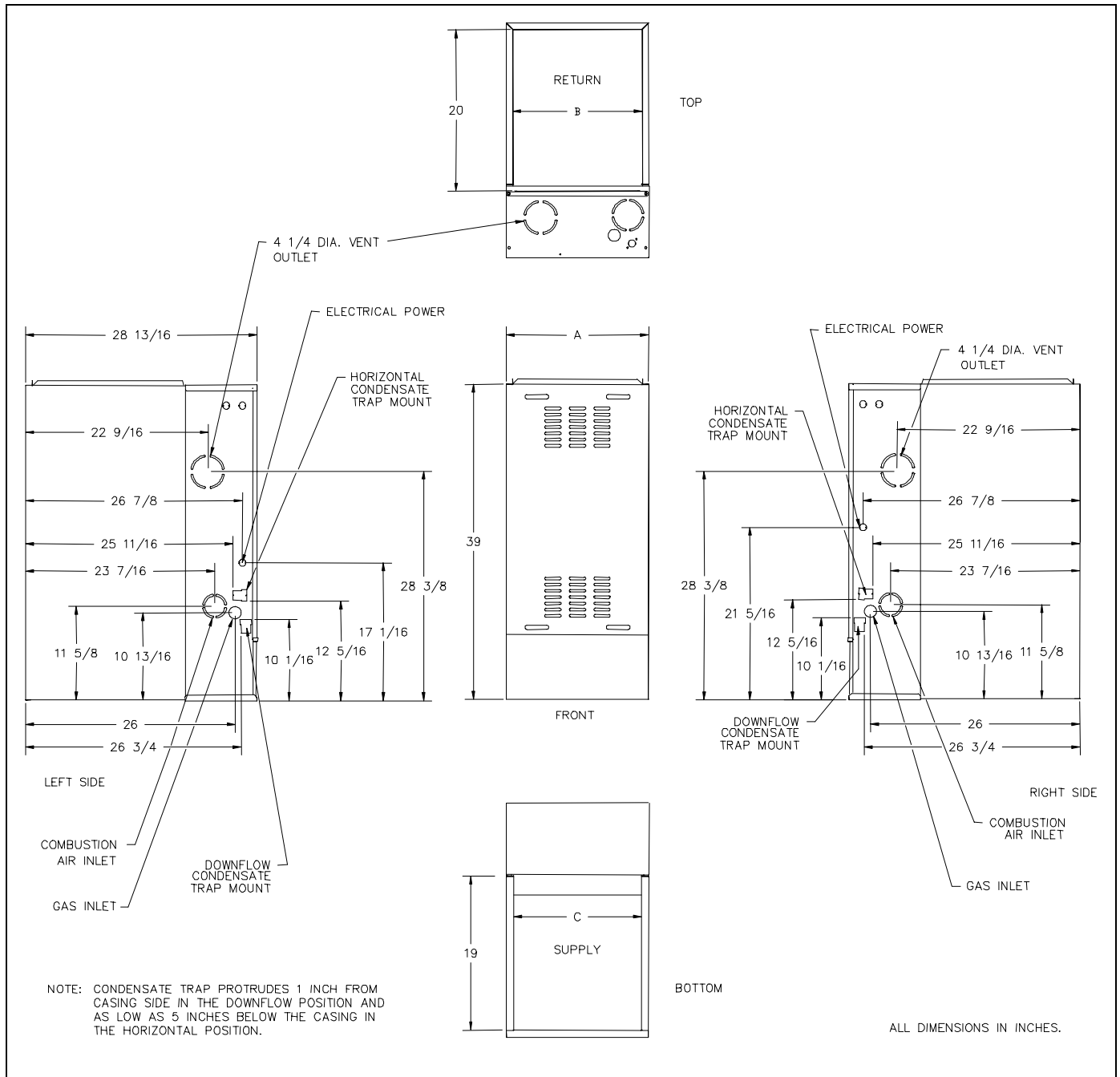
Sufficient air must be provided to ensure there will not be a negative pressure in furnace room or space. In addition, there must be a positive seal between furnace and return air duct to avoid pulling air from furnace room.

When a cooling unit is installed with this furnace, the furnace must be installed parallel with or on the upstream side of the cooling unit to avoid condensation in furnace heat exchanger. With a parallel flow arrangement, the dampers or other means used to control flow of air must be adequate to prevent chilled air from entering the furnace and, if manually operated, must be provided with a means to prevent operation of either unit unless damper is in the full heat or cool position.

When furnace is in a residential garage, it must be installed so that pilot and main burners are located no less than 18 inches above the floor. Also, furnace should be protected from physical damage by vehicles.

When furnace is in a public garage, airplane hanger, or other building having hazardous atmosphere, install unit in accordance with recommended good practice requirements of the National Fire Protection Association, Inc. Consult local code authorities for additional location requirements.

See Figure 5 for furnace dimensions and clearances.



GAS INPUT* (Btu/hr)	MOTOR SIZE* (HP)	FURNACE WIDTH** "A"	RETURN-AIR SIZE** "B"	SUPPLY-AIR SIZE** "C"	CLEARANCE TO COMBUSTIBLES (Inches)					VENT SIZE Inches	
					TOP		SIDES and BACK	FRONT***			VENT
					Downflow	Horizontal		Downflow	Horizontal		
54,000	1/3	17 1/2	15 15/16"	15 3/4"	0	1	0	1	18	0	2
72,000	1/2	17 1/2	15 15/16"	15 3/4"	0	1	0	1	18	0	2 OR 3
72,000	3/4	20 1/2	18 15/16"	18 3/4"	0	1	0	1	18	0	2 OR 3
90,000	1/2	17 1/2	15 15/16"	15 3/4"	0	1	0	1	18	0	2 OR 3
90,000	3/4	20 1/2	18 15/16"	18 3/4"	0	1	0	1	18	0	2 OR 3
108,000	3/4	23 1/2	21 15/16"	21 3/4"	0	1	0	1	18	0	3
126,000	3/4	23 1/2	21 15/16"	21 3/4"	0	1	0	1	18	0	3

\* See Furnace Rating Plate.

\*\* These are furnace dimensions. See Sections 9 and 10 for proper ductwork and floor opening dimensions.

\*\*\* 30-inch front clearance required for service.

Figure 5. Furnace Dimensions and Clearances.

## ATTIC INSTALLATION

Line contact is permissible for furnaces installed in horizontal positions. The intersection of furnace top and sides forms a line as shown in Figure 6. This line may be in contact with combustible material.

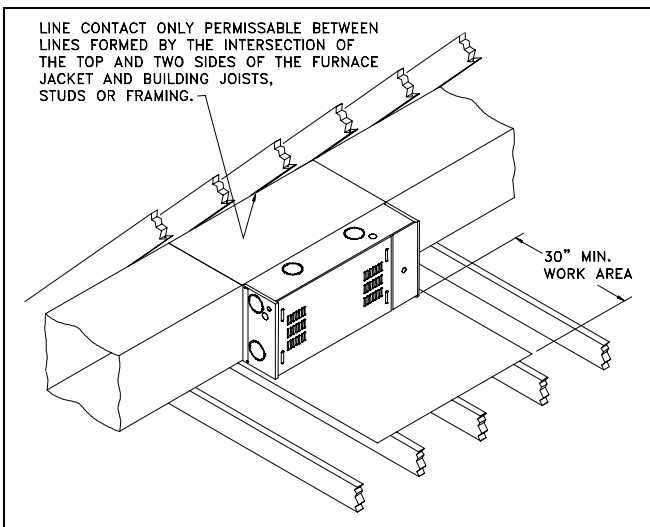


Figure 6. Typical Attic Installation.

Install a platform under furnace that extends a minimum 30 inches in front of furnace. This provides a work area and keeps insulating materials away from combustion air openings. Secure platform to joists.

Note: In horizontal position, condensate trap hangs as low as 5 inches below furnace. Provisions must be made for condensate trap and drain lines. See Section 5 for details on condensate trap installation.



**WARNING:** Some insulating materials are combustible. When a furnace is installed in an attic or other insulated space, keep all insulating materials at least 12 inches away from furnace and all burner combustion air openings. Failure to do so could cause fire.

## CRAWL SPACE INSTALLATION

Furnace can be hung from floor joists or installed on suitable blocks or pad. Pad or blocks must provide enough height to eliminate potential for water damage. Maintain clearances listed in Figure 5.

## SUSPENDING FURNACE

Some installations require that the furnace be suspended from rafters or floor joists. A common way to do this using threaded rods is shown in Figure 7. Consider this means when people may walk underneath furnace. Other means that provide adequate support may be used.

Level furnace from front to back and from left to right and maintain clearances as described previously.

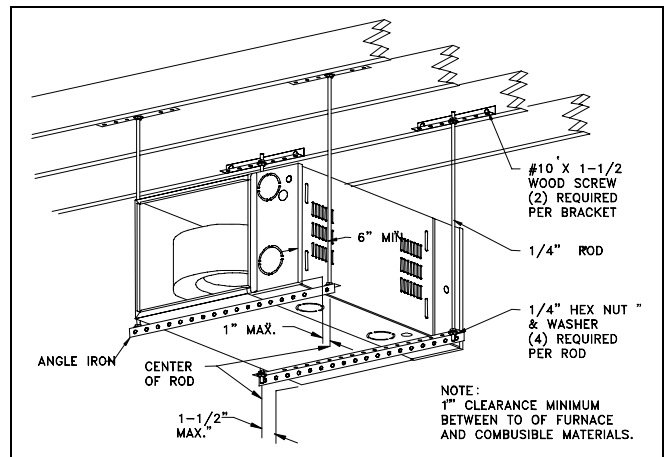


Figure 7. Suspending Using Threaded Rod.

## SECTION 4. PROVIDING VENTING AND COMBUSTION AIR

This furnace must be connected to a plastic venting system adequate to remove flue gases to the outside atmosphere. It must be vented in accordance with these instructions and local building codes.

The furnaces covered by this manual are design-certified as Category IV appliances. Category IV appliances operate with a positive vent static pressure and with a flue-gas temperature that will produce significant condensate in the vent. The vent system for this furnace must be installed so as to prevent leakage of flue gases into the building. This furnace may be installed using either direct venting or non-direct venting.



**WARNING:** Do not connect this furnace to a vent system shared by any other appliance. Do not connect it to any other type of vent system other than described by these instructions. Improper venting could allow combustion products to collect in building during use resulting in nausea or death by asphyxiation.

## GENERAL VENTING GUIDELINES

- Vent system and combustion air supply components must be constructed of schedule 40 PVC, PVC-DWV, SDR26, SDR21 or ABS plastic. Use pipe, fittings, sealants, and installation procedures that conform to the following ANSI/ASTM standards:

PVC	ASTM D-1785
SDR26, SDR21	ASTM D-2241
PVC-DWV	ASTM D-2665
PVC-DWV CELLULAR CORE	ASTM F-891
PVC Primer And Solvent Cement	ASTM D-2564
ABS Pipe And Fittings	ASTM D-2235
Procedure For Cementing Joints	ASTM D-2855

- All condensate formed in the vent must run back toward furnace for proper drainage. Install vent pipe with no less than a 1/4 inch per foot slope toward furnace from vent terminal.

- Install vent pipe without dips or sags that may hold water. Support horizontal portions of vent pipe every 5 feet (3 feet for SDR-21 or SDR-26 pipe).
- Protect vent from freezing. Long runs of vent pipe installed in an unconditioned space may require insulation to prevent freezing of condensate.

### PVC PIPE INSTALLATION INSTRUCTIONS

1. Cut ends of pipe square using a miter box or PVC tubing cutter. Remove any burrs, dirt, grease, and moisture. Check joint for proper fit.
2. Freely coat outside end of pipe and inside of fitting socket with cleaner-primer. The purpose of the primer is to dissolve and penetrate the surface of the pipe. Several coats may be necessary to do this.
3. While primer is still wet, apply a heavy coat of solvent cement to outside of pipe. Next, apply a generous coat of cement to the inside of socket.
4. While both surfaces are still wet with cement, insert pipe into fitting socket until it bottoms out, using a slight twisting motion (1/4 turn). Hold pipe in socket 30 seconds to allow cement to set.
5. Allow joint to cure before handling.

Caution: Keep solvent cement container sealed when not in use. Do not use solvent cement that has thickened or is gel-like.



**WARNING:** PVC cements are highly flammable. Do not use near open flames. A fire or explosion could result. Avoid prolonged breathing or contact with skin or eyes.

### TERMINATION LOCATION AND CLEARANCES

Vent pipe and combustion-air-supply pipe (when direct vented) may terminate through a roof or through a sidewall. Roof termination has the advantages of better pipe protection and fewer condensate-damage concerns. Use the following guidelines when choosing a vent location:

- Flue gases can be corrosive. When sidewall venting, protect walls with a corrosion resistant material. Also, terminate away from plants and shrubs.
- Locate termination consistent with the National Fuel Gas Code, ANSI Z223.1/NFPA 54 or the CAN/CGA B149 Installation Codes.
- Locate termination away from other air-intake or exhaust vents such as dryer vents, other gas appliance vents, or plumbing vents. Allow at least 3 feet to any other vent.
- Terminal must not be located above a walkway, driveway or within 10 feet of an adjacent building.
- Do not locate termination underneath a veranda, porch, or deck.

### IN THE UNITED STATES:

- Allow a minimum clearance of 4 feet from electric meters, gas meters, regulators, and relief equipment.
- When non-direct venting, terminal must be at least 4 feet below, or 4 feet horizontally from or one foot above any door, window or gravity air inlet into a building. Terminal must also be at least 3 feet above any forced-air inlet located within 10 feet horizontally.
- When direct venting, vent terminal must be at least one foot from any opening through which flue gases could enter a building.

### IN CANADA:

- Allow 6 feet clearance to any mechanical air supply or service regulator vent and 6 feet horizontally to any gas meter, electric meter, or relief device.
- Do not terminate above a meter/regulator assembly within 3 feet horizontally of the vertical center line of the regulator
- Do not terminate within one foot (3 feet for 108,000 and 126,000 Btu models) of a window or door which can be opened, a non-mechanical-air-supply inlet, or the combustion-air inlet of any other appliance

### EXISTING VENT CONSIDERATIONS

When a Category I furnace is removed or replaced, the old venting system may not be properly sized to vent the remaining appliance(s), for example, a gas water heater. An improperly sized venting system may promote the formation of condensate, leakage or spillage.

The following steps shall be followed with each appliance connected to the old venting system placed in operation, while any other appliances connected to the venting system are not in operation:

1. Seal any unused openings in the venting system;
2. Inspect the venting system for proper size and horizontal pitch, as required in the National Fuel Gas Code, ANSI Z223.1/NFPA 54 or the CAN/CGA B149 Installation Codes. Determine that there is no blockage or restriction, leakage, corrosion and other deficiencies which could cause an unsafe condition;
3. In so far as is practical, close all building doors and windows and all doors between space in which appliance(s) connected to the venting system are located and other spaces of building.
4. Close fireplace dampers.
5. Turn on clothes dryers and any appliance not connected to the venting system. Turn on any exhaust fans, such as range hoods and bathroom exhausts, so they shall operate at maximum speed. Do not operate a summer exhaust fan.

6. Follow the lighting instructions. Place the appliance being inspected in operation. Adjust thermostat so appliance shall operate continuously;
7. Test for drafthood equipped appliance spillage at the drafthood relief opening after 5 minutes of main burner operation. Use the flame of a match or candle;
8. After it has been determined that each appliance connected to the venting system properly vents when tested as outlined above, return doors, windows, exhaust fans, fireplace dampers and any other gas-burning appliance to their previous conditions of use;
9. If improper venting is observed during any of the above tests, the venting system must be corrected. Follow the National Fuel Gas Code, ANSI Z223.1/NFPA 54 or CAN/CGA B149 Installation Codes to correct improper vent operation. Any "common vent" re-sizing must approach minimum size determined using current venting tables.

3. Cement 2" PVC pipe, 2" PVC elbow, and flue outlet together as shown in Figure 8. Position flue outlet such that street ell will be directly below vent elbow.

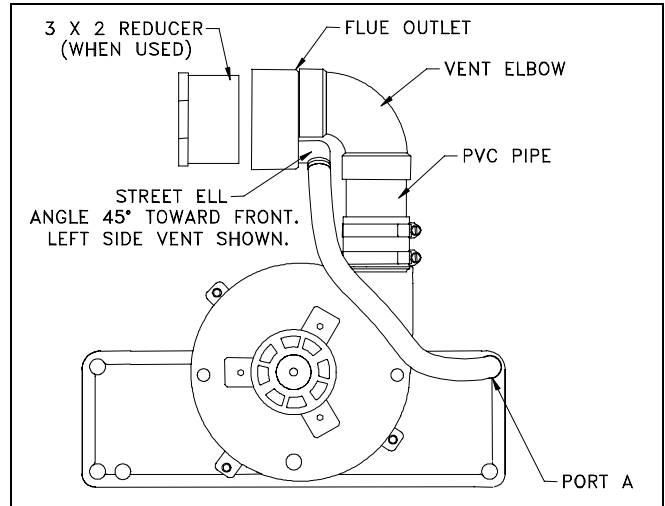


Figure 8. Downflow Vent Connection.

## DIRECT OR NON-DIRECT VENTING?

This furnace may be installed using either direct venting or non-direct venting.

A direct-vented furnace takes all air for combustion directly into the furnace through a pipe from outdoors. To direct vent this furnace you must install two pipes to the outdoors. One pipe supplies combustion air that the furnace needs to operate. The other pipe vents flue gases to the outdoors.

Use direct venting when indoor air may be contaminated with chemicals such as chlorine, fluorine, bromine or iodine. When these chemicals are burned with natural gas or propane gas, acids are produced which may decrease heat exchanger life. You should also consider direct venting when furnace is installed in a space with limited combustion and ventilation air. See "CONFINED SPACE INSTALLATION" under the "NON-DIRECT VENTING" instructions.

A non-direct vented furnace takes all air for combustion from the room in which furnace is installed. Non-direct venting requires only one pipe for venting the flue gases to the outdoors but you must make sure there is enough air for combustion and ventilation.

## VENTING INSTRUCTIONS: DOWNFLOW

1. Select venting option from Figure 9 that fits your installation. Downflow furnaces can be vented through top or either side. For direct venting, combustion air can come through top or either side.
2. From parts package find the following parts: section of 2" PVC pipe, 2" PVC elbow, PVC flue outlet fitting, and 1/2" street ell.

4. Cement 1/2" street ell to flue-outlet drain. Position street ell so that it will be angled down and toward front of furnace at a 45° angle when assembly is installed in furnace.
5. Install large hose clamp over rubber coupling on furnace draft inducer. Do not tighten hose clamp.
6. Push vent assembly into rubber coupling until it bottoms out and tighten hose clamp securely.
7. From parts package find long condensate hose and two hose clamps.
8. Attach condensate hose and one hose clamp to inducer-pan port A, located in upper right-hand corner of inducer pan. Hose should be curved toward 1/2" street ell in flue outlet.
9. Attach other end of hose and remaining hose clamp to 1/2" street ell.
10. Some models are shipped with a 3-inch to 2-inch reducer bushing. When venting with 2-inch pipe, install reducer bushing in flue outlet fitting. See Table 1 or Table 2 for correct vent diameter for your application.
11. Complete installation of venting system with field supplied parts.
12. Support vent pipe at furnace. Do not allow draft inducer and rubber coupling to support the weight of the vent pipe.



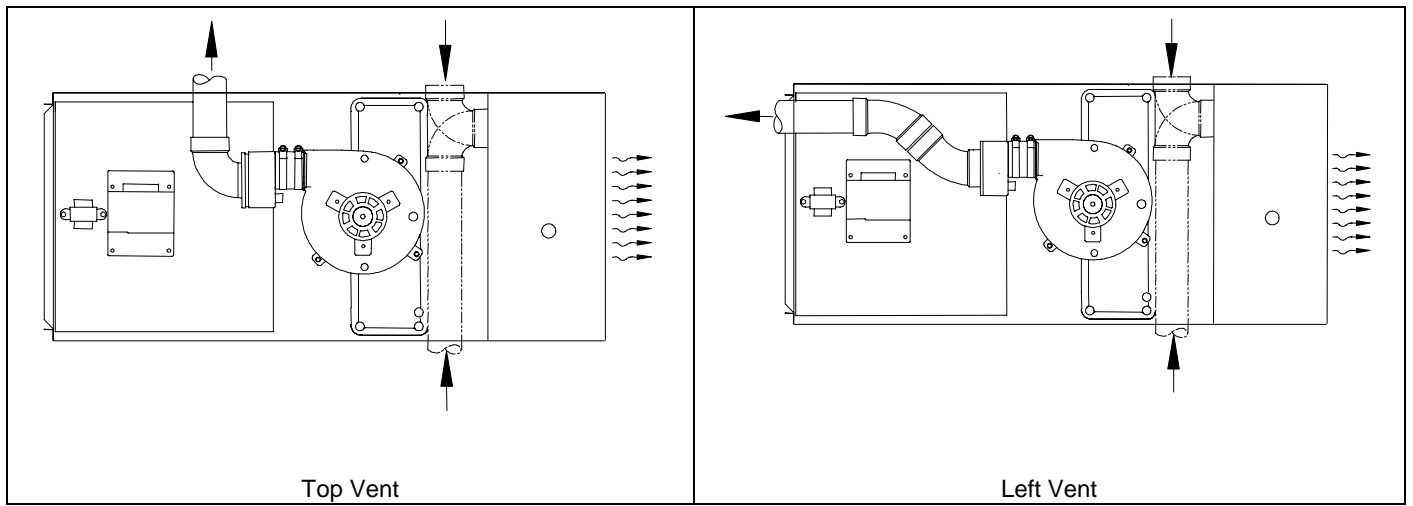
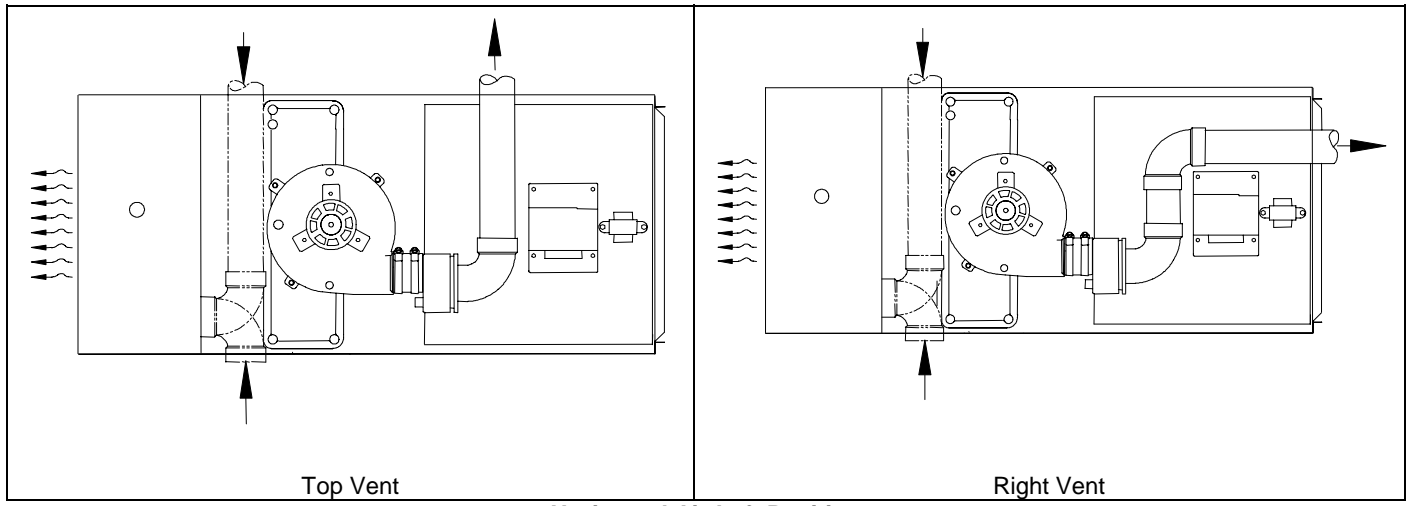
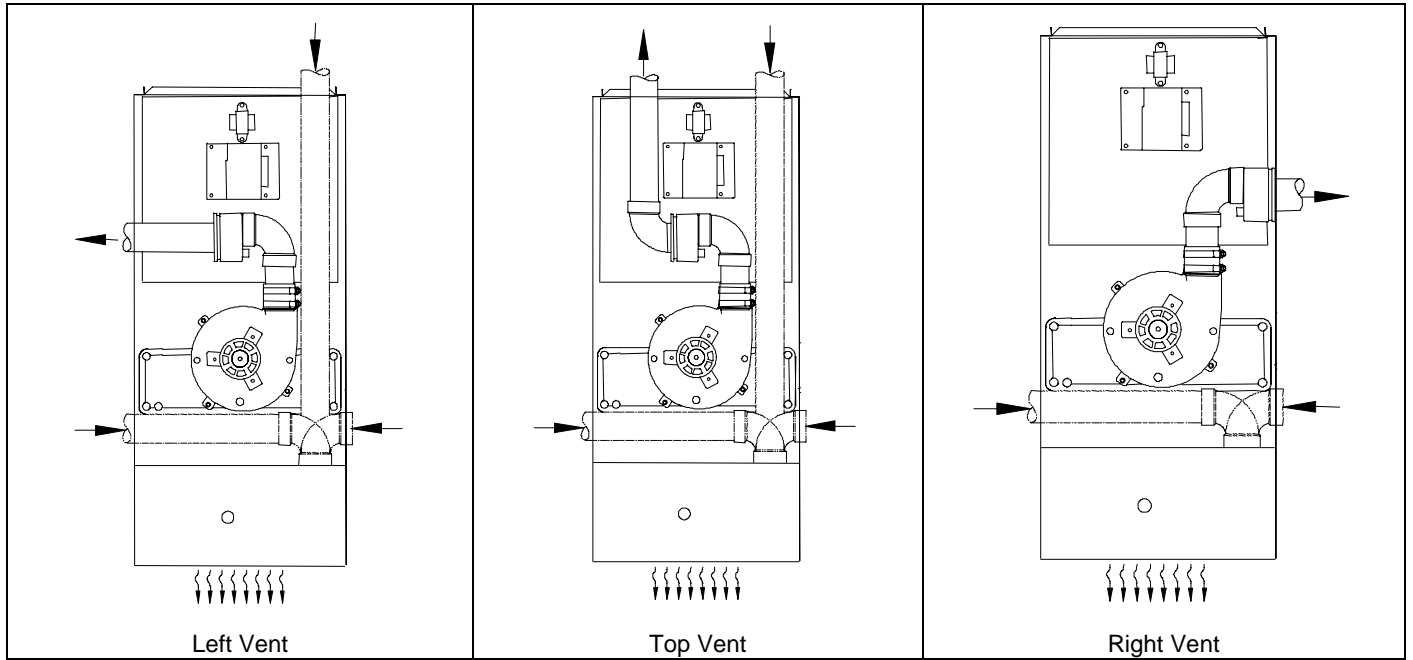


Figure 9. Venting Options. Dashed lines show optional combustion air pipes for direct venting.

## VENTING INSTRUCTIONS: HORIZONTAL AIR-LEFT

1. Select venting option from Figure 9 that fits your installation. Horizontal furnaces can be vented through top or through blower end of furnace (in most applications). For direct venting, combustion air can come through top or bottom.
2. From parts package, get PVC flue outlet fitting and large hose clamp.
3. Install large hose clamp over rubber coupling on furnace draft inducer. Do not tighten hose clamp. See Figure 10.
4. Push flue outlet fitting into rubber coupling until it bottoms out. Rotate flue outlet fitting until drain is on bottom as shown in Figure 10. Tighten hose clamp securely.
5. From parts package, get long condensate hose and two hose clamps.
6. Long condensate hose must be cut to fit between flue outlet drain and street ell. Proper length is 6¼ inches for 17½ or 20½ inch wide furnaces and 8½ inches for 23½ inch wide furnaces.
7. Attach condensate hose and one hose clamp to flue outlet fitting.
8. From parts package, get 1/2" street ell. Attach hose and remaining hose clamp to 1/2" street ell. Test fit street ell and hose assembly to inducer-pan port A, located in lower right-hand corner of inducer pan. Note the angle of the street ell.
9. Solvent weld street ell to inducer-pan port A at angle noted in previous step.

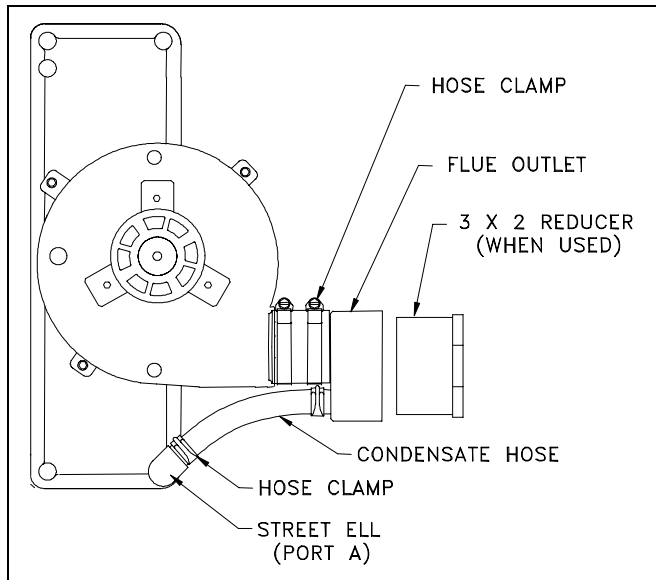


Figure 10. Horizontal Air-Left Vent Connection.

10. Some models are shipped with a 3-inch to 2-inch reducer bushing. When venting with 2-inch pipe, install reducer bushing in flue outlet. See Table 1 or Table 2 for correct vent diameter for your application.

11. Complete installation of venting system with field supplied parts.
12. Support vent pipe at furnace. Do not allow draft inducer and rubber coupling to support the weight of the vent pipe.

## VENTING INSTRUCTIONS: HORIZONTAL AIR-RIGHT

1. Select venting option from Figure 9 that fits your installation. Horizontal furnaces can be vented through top or through blower end of furnace (in most applications). For direct venting, combustion air can come through top or bottom.
2. Move inducer drain hose from middle drain port of inducer to inducer drain port at bottom of inducer--located near pressure switch. To do this, remove cap from inducer drain port near pressure switch. Save cap. Move hose from middle inducer drain hole to uncapped port. Install cap on open port.
3. Move pressure switch hose from inducer pan port "B" to inducer-pan port E. To do this, remove cap from inducer-pan pressure port E, at pressure switch end of inducer pan. Save cap. Move hose from inducer-pan pressure port B to port E. Install cap on port B.
4. From parts package, get PVC flue outlet and 1/2" street ell.
5. Cement 1/2" street ell to flue-outlet drain. Position street ell so that it will be angled down and toward front of furnace at a 45° angle when assembly is installed in furnace.
6. Install large hose clamp over rubber coupling on furnace draft inducer. Do not tighten hose clamp.
7. Push flue outlet into rubber coupling until it bottoms out. Rotate flue outlet until street ell is on bottom as shown in Figure 11. Tighten hose clamp securely.

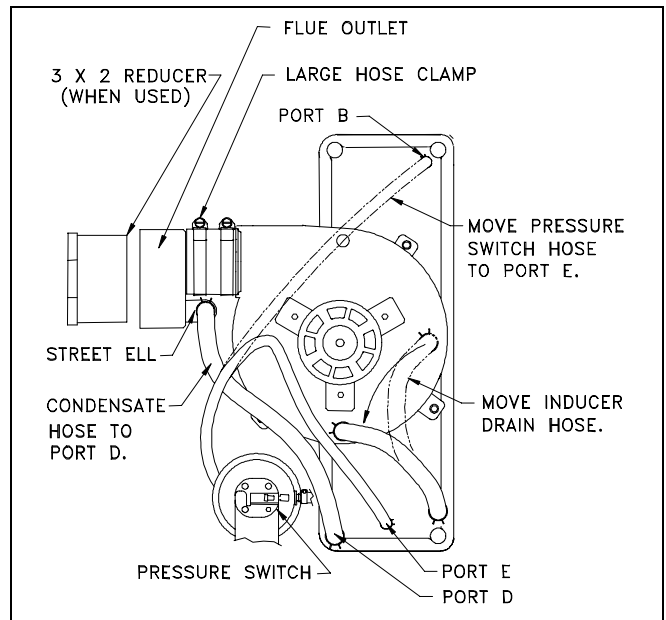


Figure 11. Horizontal Air-Right Vent Connection.

8. Move rubber cap from inducer-pan port D (located in lower left-hand corner) to inducer-pan port A (located in top left corner).
9. From parts package, get long condensate hose and two hose clamps.
10. Attach condensate hose and one hose clamp to inducer-pan port D. Hose should be curved toward 1/2" street ell in flue outlet.
11. Attach hose and remaining hose clamp to 1/2" street ell. Position hose on street ell so that hose does not kink. On some models it will be necessary to reduce condensate hose length for proper fit.
12. Some models are shipped with a 3-inch to 2-inch reducer bushing. When venting with 2-inch pipe, install reducer bushing in flue outlet fitting. See venting Table 1 or Table 2 for correct vent diameter for your application.
13. Complete installation of venting system with field supplied parts.
14. Support vent pipe at furnace. Do not allow draft inducer and rubber coupling to support the weight of the vent pipe.

## DIRECT VENTING (two-pipe system)

### DETERMINING VENT LENGTH

See Table 1 for maximum vent and combustion-air pipe length. Include any termination elbows when determining maximum allowable vent length. Minimum vent length is five feet with 1 elbow.

Table 1 shows the maximum allowable pipe lengths for direct vent systems depending on:

- altitude (elevation) of the installation
- gas input rating of furnace
- diameter of the air and vent pipes
- number of elbows

Note that some of the larger furnace models may require a high altitude pressure switch at elevations between 3000 and 6000 feet. For example, the table shows that the 126,000 Btu/hr model may need a high altitude pressure switch when installed at elevations between 3000 and 4000 feet. Above 4000 feet, this model requires a high altitude switch for all installations.

All furnace models require the high altitude pressure switch when installed at elevations above 6000 feet.

The high altitude pressure switch is supplied with the LP Conversion Kit #4226000 and the Natural Gas Conversion Kit #4225600. These kits also contain the other components required for furnace installation at high elevations.

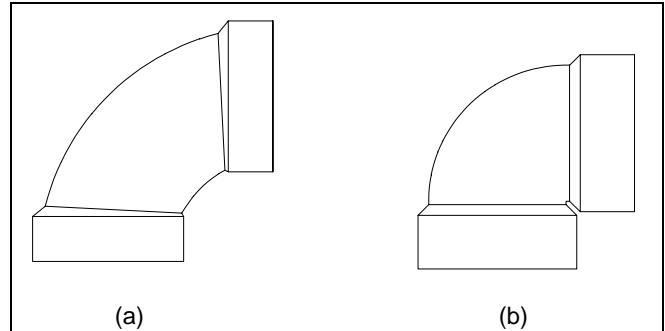


Figure 12. (a) Sweep 90° Elbow. (b) Hard 90° Elbow.

NOTE: Table 1 assumes Sweep 90° elbows like that in Figure 12a. If using Hard 90° elbows similar to the one in Figure 12b, decrease the vent length by 3 feet for every elbow used.

When using a concentric vent kit the following exceptions apply:

- 90,000 BTU input furnaces must be vented with 3-inch pipe.
- For 108,000 BTU input furnaces, reduce the maximum vent length by 5 feet when 2 sweep elbows are used, 10 feet when 3 sweep elbows are used, 15 feet when 4 sweep elbows are used and so on. For hard 90° elbows reduce vent length in 8-foot intervals.
- 126,000 BTU input furnaces may not be vented using a concentric vent.

Table 1. Maximum Pipe Length--Direct Vent

ALLOWABLE PIPE LENGTH (feet of each pipe)											
ALTITUDE	FURNACE INPUT	PIPE DIA.	NUMBER OF SWEEP ELBOWS (each pipe) (SEE NOTE 1)								
			1	2	3	4	5	6	7	8	
0'-1000'	54,000	2"	40	40	40	40	40	40	40	40	
	72,000	2"	40	40	37	33	30	27	23	20	
	72,000	3"	40	40	40	40	40	40	40	40	
	90,000	2"	30	26	22	19	15	11	-	-	
	90,000	3"	40	40	40	40	40	40	40	40	
	108,000	3"	40	40	40	40	40	40	40	40	
	126,000	3"	40	40	40	40	35	30	25	20	
1001'-2000'	54,000	2"	40	40	40	40	40	40	40	40	
	72,000	2"	40	37	33	29	25	21	19	15	
	72,000	3"	40	40	40	40	40	40	40	40	
	90,000	2"	25	22	19	16	12	-	-	-	
	90,000	3"	40	40	40	40	40	40	40	40	
	108,000	3"	40	40	40	40	40	40	40	40	
	126,000	3"	40	38	33	28	22	16	11	-	
2001'-3000'	54,000	2"	40	40	40	40	40	40	40	40	
	72,000	2"	35	33	29	25	21	17	13	-	
	72,000	3"	40	40	40	40	40	40	40	40	
	90,000	2"	22	19	16	14	-	-	-	-	
	90,000	3"	40	40	40	40	40	40	40	40	
	108,000	3"	40	40	40	40	40	40	40	40	
	126,000	3"	35	30	25	20	15	10	-	-	
3001'-4000'	54,000	2"	40	40	40	40	40	40	40	40	
	72,000	2"	30	28	26	24	22	20	18	17	
	72,000	3"	40	40	40	40	40	40	40	40	
	90,000	2"	15	13	11	-	-	-	-	-	
	90,000	3"	40	40	40	40	40	40	40	40	
	108,000	3"	40	40	40	40	40	40	40	40	
	126,000	3"	30	25	20	15	10	-	-	-	
	126,000	3"	40	40	40	40	35	30	25	20	See Note 2
4001'-5000'	54,000	2"	40	40	40	40	40	40	40	40	
	72,000	2"	26	22	17	14	12	-	-	-	
	72,000	3"	40	40	40	40	40	40	40	40	
	90,000	3"	40	40	40	40	40	40	40	40	
	108,000	3"	40	40	40	35	30	25	20	15	
	108,000	3"	40	40	40	40	40	40	40	40	See Note 2
	126,000	3"	40	40	40	40	35	30	25	20	
5001'-6000'	54,000	2"	40	40	40	40	40	40	40	40	
	72,000	2"	21	18	14	11	-	-	-	-	
	72,000	3"	40	40	40	40	40	40	40	40	
	90,000	3"	40	40	40	40	40	40	40	40	
	108,000	3"	40	35	30	25	20	15	10	-	
	108,000	3"	40	40	40	40	40	40	40	40	See Note 2
	126,000	3"	40	40	40	40	35	30	25	20	
6001'-7000'	54,000	2"	40	40	40	40	40	40	40	40	
	72,000	2"	40	40	40	40	36	32	28	24	
	72,000	3"	40	40	40	40	40	40	40	40	
	90,000	3"	40	40	40	40	40	40	40	40	
	108,000	3"	40	40	40	40	40	40	40	40	See Note 2
	126,000	3"	40	40	40	40	35	30	25	20	
7001'-8000'	54,000	2"	40	40	40	40	40	40	40	40	
	72,000	2"	40	40	40	37	35	32	28	24	
	72,000	3"	40	40	40	40	40	40	40	40	
	90,000	3"	40	40	40	40	40	40	40	40	See Note 2
	108,000	3"	40	40	40	40	40	40	40	40	
	126,000	3"	40	40	40	40	35	30	25	20	
8001'-9000'	54,000	2"	40	40	40	40	40	40	40	40	
	72,000	2"	40	40	37	34	31	28	24	21	
	72,000	3"	40	40	40	40	40	40	40	40	
	90,000	3"	40	40	40	40	40	40	40	40	See Note 2
	108,000	3"	40	40	40	40	40	40	40	40	
	126,000	3"	40	40	40	35	30	25	20	15	
9001'-10000'	54,000	2"	40	40	40	40	40	40	40	40	
	72,000	2"	40	37	35	31	27	24	21	18	
	72,000	3"	40	40	40	40	40	40	40	40	
	90,000	3"	40	40	40	40	40	40	40	40	See Note 2
	108,000	3"	40	40	40	40	40	40	40	40	
	126,000	3"	40	35	30	25	20	15	-	-	

NOTE 1: The table assumes the use of sweep elbows. If using hard 90° elbows, the vent length should be decreased an additional 3 feet for every elbow used.

NOTE 2: The shaded portions of the table require the high altitude pressure switch in order to operate the furnace at the listed vent lengths.

## DIRECT-VENT TERMINATION

You may terminate vent and combustion air pipes either vertically (through the roof) or horizontally (through a sidewall). Vertical (through the roof) venting is preferred because it offers protection from pipe damage and condensate damage. You may use concentric vent termination except on 126,000 BTU input furnaces. Follow the instructions supplied with the concentric-vent kit.

For vertical direct venting, combustion-air-inlet pipe must terminate next to vent pipe and 12 inches above roof (18" in Canada) or highest expected snow accumulation. Extend vent pipe at least 6 inches above combustion air inlet. See Figure 13a for vertical direct vent termination.

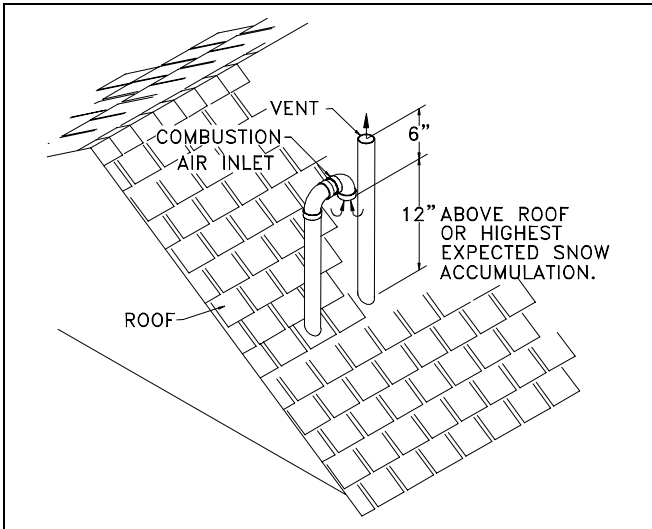


Figure 13a. Vertical Termination for Direct Venting.

Combustion-air-inlet termination must always be pointed downward to keep out rain and snow. Furnace will not operate properly with water in combustion compartment.

Note: When properly installed, vent pipe is designed to drain condensate and will not be affected by rainwater.

For horizontal direct venting, combustion-air inlet must terminate next to vent pipe and at least 12 inches above grade or highest expected snow accumulation. Extend vent pipe at least 12 inches above combustion-air inlet. See Figure 13b.

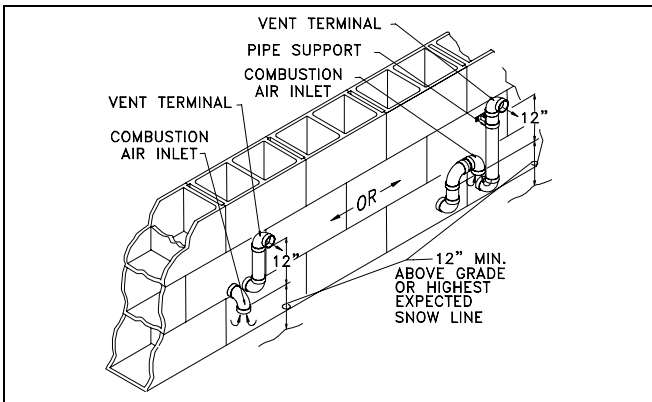


Figure 13b. Horizontal Termination for Direct Venting.

Attach a combustion-air pipe to combustion-air-inlet collar located on top of furnace burner enclosure. Seal air pipe to collar with RTV silicone caulk. See Figure 14.

Note: When venting with 3-inch pipe, a 3" X 2" reducer must be used. Locate reducer as close as possible to combustion-air inlet. You may use up to 20" of 2-inch pipe.

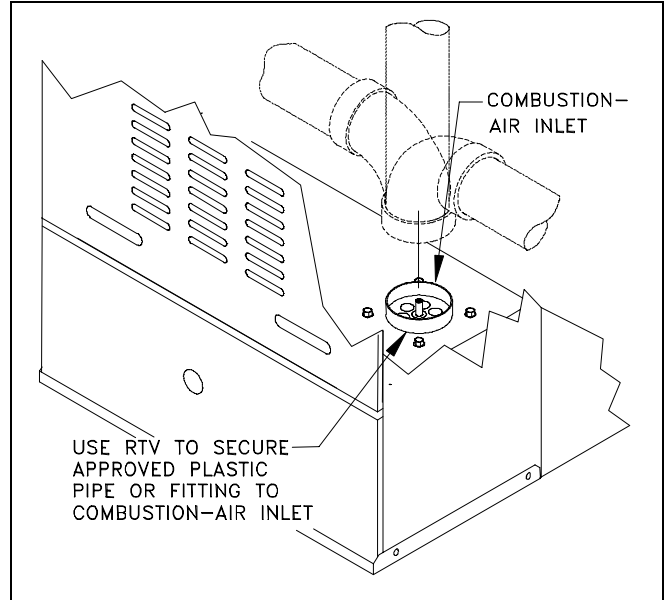


Figure 14. Combustion-Air Pipe Connection to Furnace for Direct Vent.

## NON-DIRECT VENTING (one pipe system)

### DETERMINING VENT LENGTH

See Table 2 for maximum vent pipe length. Include any termination elbows when determining maximum allowable vent length. Minimum pipe length is five feet with 1 elbow.

Table 2 shows the maximum allowable pipe lengths for non-direct vent systems depending on:

- altitude (elevation) of the installation
- gas input rating of furnace
- diameter of the air and vent pipes
- number of elbows

Note that some of the larger furnace models may require a high altitude pressure switch at elevations between 3000 and 6000 feet. For example, the chart shows that the 126,000 Btu/hr model may need a high altitude pressure switch when installed at elevations between 3000 and 4000 feet. Above 4000 feet, this model requires a high altitude switch for all installations.

All furnace models require the high altitude pressure switch when installed at elevations above 6000 feet.

The high altitude pressure switch is supplied with the LP Conversion Kit #4226000 and the Natural Gas Conversion Kit #4225600. These kits also contain the other components required for furnace installation at high elevations.

NOTE: Table 2 assumes Sweep 90° elbows like that in Figure 12a. If using Hard 90° elbows similar to the one in Figure 12b, decrease the vent length by 3 feet for every elbow used.

Table 2. Maximum Pipe Length--Non-Direct Vent

ALLOWABLE PIPE LENGTH (feet)										
ALTITUDE	FURNACE INPUT	PIPE DIA.	NUMBER OF SWEEP ELBOWS (SEE NOTE 1)							
			1	2	3	4	5	6	7	8
0'-1000'	54,000	2"	112	108	104	100	96	92	88	84
	72,000	2"	55	51	47	43	39	35	31	27
	72,000	3"	150	150	150	150	150	150	150	150
	90,000	2"	36	32	28	24	20	16	-	-
	90,000	3"	150	150	150	145	140	135	130	125
	108,000	3"	85	80	75	70	65	60	55	50
	126,000	3"	55	50	45	40	35	30	25	20
1001'-2000'	54,000	2"	97	93	90	86	83	80	76	73
	72,000	2"	44	40	36	33	30	26	23	19
	72,000	3"	150	150	150	150	150	150	150	150
	90,000	2"	30	26	23	19	16	-	-	-
	90,000	3"	140	135	130	125	120	115	110	105
	108,000	3"	75	70	65	60	55	50	45	40
	126,000	3"	45	40	35	30	25	20	15	-
2001'-3000'	54,000	2"	84	81	78	74	71	67	64	61
	72,000	2"	37	34	30	27	24	21	18	15
	72,000	3"	150	150	150	150	150	150	150	150
	90,000	2"	24	21	18	14	11	-	-	-
	90,000	3"	125	120	115	110	105	100	95	90
	108,000	3"	50	45	40	35	30	25	20	15
	126,000	3"	36	31	26	21	16	11	-	-
3001'-4000'	54,000	2"	71	68	64	61	58	55	51	48
	72,000	2"	30	27	23	20	17	13	-	-
	72,000	3"	150	150	150	150	150	150	150	150
	90,000	2"	19	16	12	-	-	-	-	-
	90,000	3"	100	95	90	85	80	75	70	65
	108,000	3"	37	32	27	22	17	12	-	-
	126,000	3"	30	25	20	15	10	-	-	-
4001'-5000'	54,000	2"	57	54	50	47	44	40	36	33
	72,000	2"	25	22	19	16	12	-	-	-
	72,000	3"	150	150	150	150	150	150	150	150
	90,000	3"	85	80	75	70	65	60	55	50
	108,000	3"	85	80	75	70	65	60	55	50
	126,000	3"	55	50	45	40	35	30	25	20
	5001'-6000'	54,000	2"	43	40	37	33	30	27	24
72,000		2"	21	18	14	11	-	-	-	-
72,000		3"	150	150	150	150	150	150	150	150
90,000		3"	70	65	60	55	50	45	40	35
108,000		3"	85	80	75	70	65	60	55	50
126,000		3"	55	50	45	40	35	30	25	20
6001'-7000'		54,000	2"	110	106	104	100	96	92	88
	72,000	2"	50	46	43	40	36	32	29	25
	72,000	3"	150	150	150	150	150	150	150	150
	90,000	3"	150	150	150	145	140	135	130	125
	108,000	3"	85	80	75	70	65	60	55	50
	126,000	3"	55	50	45	40	35	30	25	20
	7001'-8000'	54,000	2"	97	93	90	86	83	80	76
72,000		2"	50	46	43	40	36	32	29	25
72,000		3"	150	150	150	150	150	150	150	150
90,000		3"	150	150	150	145	140	135	130	125
108,000		3"	85	80	75	70	65	60	55	50
126,000		3"	53	48	43	38	33	28	23	18
8001'-9000'		54,000	2"	84	81	78	74	71	67	64
	72,000	2"	41	38	34	31	28	24	21	17
	72,000	3"	150	150	150	150	150	150	150	150
	90,000	3"	150	150	150	145	140	135	130	125
	108,000	3"	70	65	60	55	50	45	40	35
	126,000	3"	40	35	30	25	20	15	-	-
	9001'-10000'	54,000	2"	71	68	64	61	58	55	51
72,000		2"	35	31	28	25	21	18	15	-
72,000		3"	150	150	150	150	150	150	150	150
90,000		3"	150	150	150	145	140	135	130	125
108,000		3"	55	50	45	40	35	30	25	20
126,000		3"	31	26	21	16	11	-	-	-

NOTE 1: The table assumes the use of sweep elbows. If using hard 90° elbows, the vent length should be decreased an additional 3 feet for every elbow used.

NOTE 2: The shaded portions of the table require the high altitude pressure switch in order to operate the furnace at the listed vent lengths.

## NON-DIRECT VENT TERMINATION

You may terminate vent pipe either vertically (through the roof) or horizontally (through a sidewall). Vertical (through the roof) venting is preferred because it offers protection from pipe damage and is less likely to cause condensate damage.

For vertical non-direct venting, extend PVC vent pipe at least 12 inches above roof or average snow accumulation. In Canada, vent pipe must extend at least 18 inches above roof. See Figure 15.

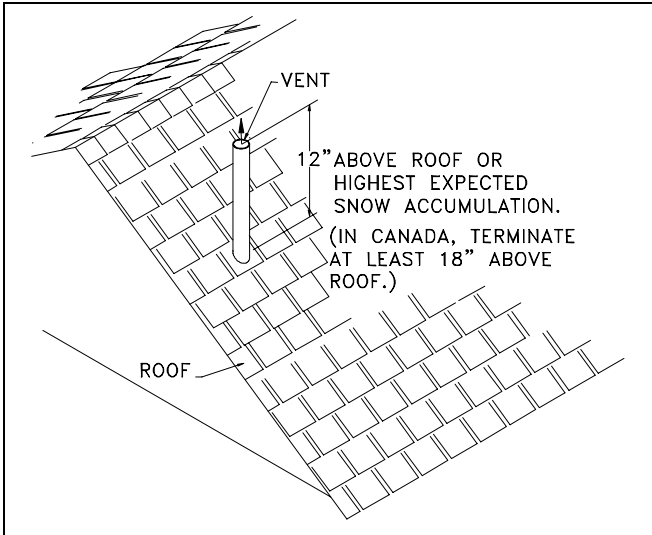


Figure 15. Vertical Termination for Non-Direct Venting.

Note: When properly installed, vent system is designed to drain condensate and will not be affected by rainwater.

For horizontal non-direct venting, extend PVC pipe at least 6 inches from structure and 12 inches above grade or above average snow accumulation. See Figure 16.

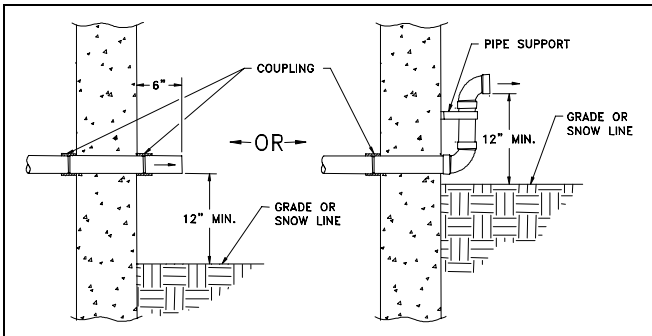



Figure 16. Horizontal Termination for Non-Direct Venting.

## COMBUSTION AND VENTILATION AIR (non-direct vent)

The total amount of combustion and ventilation air provided within the building must equal the requirements of all gas appliances in the building. You must also allow for reduction of air available for combustion and ventilation caused by exhaust fans, range hoods and fireplaces. Sufficient air must be provided to ensure there will not be a negative pressure in furnace room or space. In addition,

there must be a positive seal between furnace and return-air duct to avoid pulling air from furnace room.

Provide for adequate combustion and ventilation air in accordance with Section 5.3, Air for Combustion and Ventilation, of the National Fuel Gas Code, ANSI Z223.1/NFPA 54, or Sections 7.2, 7.3 or 7.4 of CAN/CGA B149 Installation Codes, or applicable provisions of local building codes.




**WARNING:** Furnaces and any other fuel burning appliances must have enough fresh air for proper combustion. Lack of adequate combustion air could cause the furnace to produce carbon monoxide and may result in nausea or asphyxiation.

Excessive exposure to air contaminated with chlorine, fluorine, bromine and iodine may result in safety and performance related problems. The following types of installation may require outdoor air for combustion (or direct venting) due to chemical exposures:

- Commercial buildings, repair garages, beauty parlors, and so on
- Buildings with indoor pools
- Furnaces installed in laundry rooms
- Furnaces installed in hobby or craft rooms
- Furnaces installed near chemical storage rooms
- Furnaces installed near exhaust fans which vent the above areas

Exposure to the following substances in the combustion air supply may also require outdoor air for combustion:

- Aerosols
- Permanent wave solutions
- Chlorinated waxes, bleaches and cleaners
- Cat litter
- Chlorine-based swimming pool chemicals
- Cleaning solvents
- Paint removers and varnishes
- Adhesives
- Anti-static fabric softeners
- Most refrigerants



**WARNING:** Combustion air that contains chlorine, fluorine, bromine or iodine could cause corrosion in heat exchanger and may result in nausea or death by asphyxiation.

## UNCONFINED SPACE INSTALLATION (non-direct vent)

The National Fuel Gas Code, ANSI Z223.1/NFPA 54 and CAN/CGA B149 Installation Codes do not require that you make special provisions for combustion and ventilation air when furnace is in an "unconfined space" and building is not of "unusually tight construction".

- "Unconfined spaces" have a volume of at least 50 cubic feet per 1000 Btu per hour combined input rating


of all appliances installed in the space. For example: a 100,000 Btu/hr furnace and a 40,000 Btu/hr water heater would require a volume of at least  $140,000 \times 50 \div 1,000$  or 7,000 cubic feet.

- "Unusually tight construction" means windows and doors are either tight fitting or are sealed construction and that walls are covered with a continuous, sealed vapor barrier and drywall or similar materials having sealed joints.

If you meet the volume requirements for unconfined space, the building is not of unusually tight construction and there are no airborne contaminants, as listed above, you may install this furnace without making special provisions for combustion and ventilation air. Otherwise, follow the instructions for "confined space installation" below or direct vent the furnace using two pipes.

### CONFINED SPACE INSTALLATION (non-direct vent)

A non-direct vented furnace installed in a confined space must take combustion and ventilation air from an unconfined space within the building or from outdoors. However, if the building is of unusually tight construction all combustion air must come from outdoors. Also, if return air is taken directly from a hallway or space next to furnace that communicates with furnace spaces, all combustion air must come from outdoors.



**WARNING:** You must provide permanent air openings to a confined furnace installation space from another area as described below. Failure to do so could cause inadequate combustion and ventilation air and may result in nausea or death by asphyxiation.

### ALL COMBUSTION AND VENTILATION AIR FROM INSIDE THE BUILDING

The confined furnace space must be provided with two permanent openings to an additional room of sufficient volume so that the combined volumes of the spaces meet the criteria above for an unconfined space not of unusually tight construction. The total input of all gas appliances within the combined space must be considered in making this determination.

Each opening must have minimum free area of one square inch per 1,000 Btu per hour of the total combined input rating of all gas appliances within the confined furnace space, but not less than 100 square inches. One opening must be within 12 inches of the top and one opening within 12 inches of the bottom of the furnace space. The shortest side of each air opening must be at least 3 inches long. See Figure 17.

For example:

- A 90,000 Btu/hr furnace and a 40,000 Btu/hr water heater would require free area openings of  $130,000 \div 1,000$  or 130 square inches.

- A 54,000 Btu/hr furnace and a 40,000 Btu/hr water heater would require the minimum free area openings of 100 square inches.

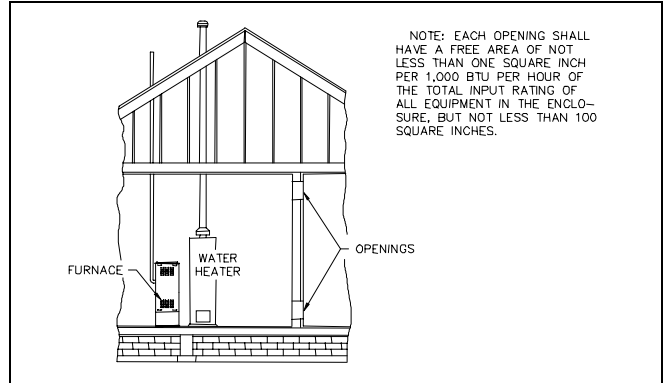


Figure 17. Confined Space, All Air From Inside The Building.

### ALL COMBUSTION AND VENTILATION AIR FROM OUTDOORS

The furnace space must be provided with two permanent air openings communicating directly, or by ducts, with the outdoors or spaces that freely access the outdoors. Well-ventilated attics or crawl spaces usually satisfy this requirement. These openings will give furnace free access to fresh air for combustion and ventilation.

You must provide air sufficient for all gas appliances within furnace space. Locate one combustion and ventilation air opening within 12 inches of top of furnace space. Locate another within 12 inches of bottom of furnace space.

Ducts that supply air from outdoors must have the same cross-sectional area as the free area of openings to which they connect.

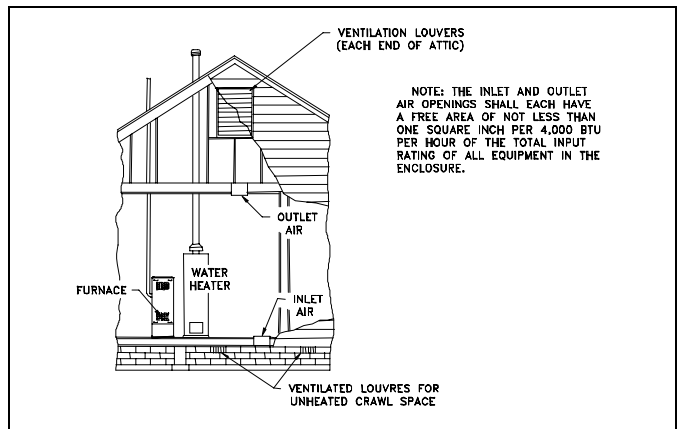


Figure 18. All Air Directly From Spaces That Freely Access The Outdoors.

When directly communicating with the outdoors, each opening must have a minimum free area of one square inch per 4,000 Btu per hour of total combined input rating of all gas appliances within furnace space.



For example: A 108,000 Btu per hour furnace requires two openings of at least  $108,000 \div 4,000$  or 27 square inches. See Figure 18 and Table 3.

Table 3. Free Opening Area Based On One Square Inch Per 4000 Btu/hr.

TOTAL INPUT (Btu/hr)	REQUIRED FREE AREA PER OPENING (square inches)	MINIMUM ROUND PIPE DIAMETER (inches)	MAXIMUM INPUT FOR GIVEN PIPE DIAMETER (Btu/hr)
54,000	13.5	5	78,000
72,000	18	5	78,000
90,000	22.5	6	113,000
108,000	27	6	113,000
126,000	31.5	7	153,000
144,000	36	7	153,000

When communicating with the outdoors through vertical ducts, openings and ducts must have a minimum free area of one square inch per 4,000 Btu per hour of total combined input rating of all gas appliances within furnace space. See Figure 19 and Table 3.

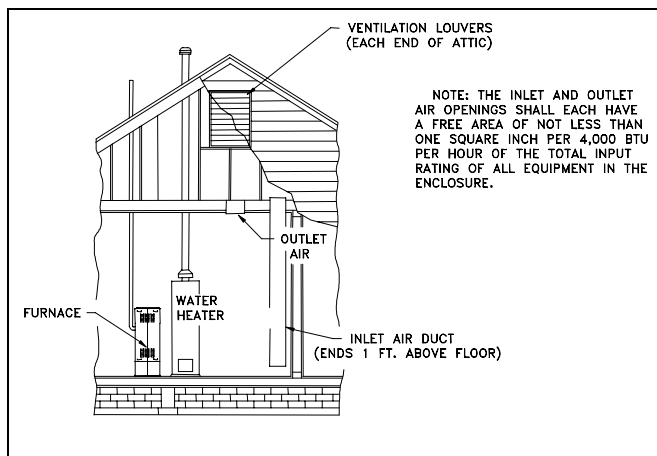


Figure 19. All Air Through Vertical Ducts From Spaces That Freely Access The Outdoors.

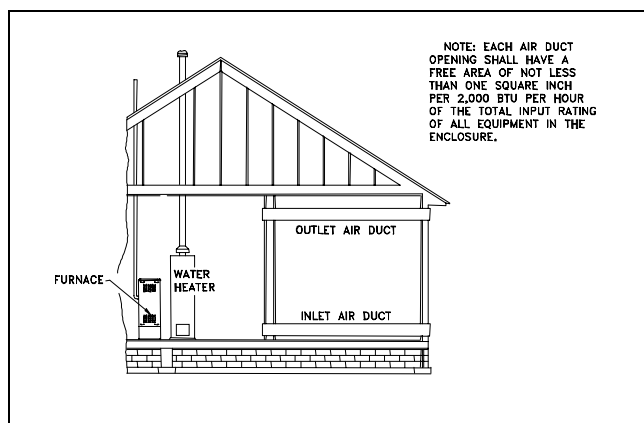


Figure 20. All Air From The Outdoors Through Horizontal Ducts.

When communicating with the outdoors through horizontal ducts, openings and ducts must have a minimum free area of one square inch per 2,000 Btu per hour of total combined input rating of all gas appliances within furnace space. See

Figure 20 and Table 4.

Table 4. Free Opening Area Based On One Square Inch Per 2000 Btu/hr.

TOTAL INPUT (Btu/hr)	REQUIRED FREE AREA PER OPENING (square inches)	MINIMUM ROUND PIPE DIAMETER. (inches)	MAXIMUM INPUT FOR GIVEN PIPE DIAMETER (Btu/hr)
54,000	27	6	56,000
72,000	36	7	76,000
90,000	45	8	100,000
108,000	54	9	127,000
126,000	63	9	127,000
144,000	72	10	157,000

Example: Furnace is 90,000 Btu per hour input and is to be installed in a confined space that contains no other gas appliances. Rectangular combustion and ventilation air ducts will run horizontally from outdoors to furnace space.

Calculate the free area required.

Because combustion and ventilation air ducts run horizontally, allow 2,000 Btu per hour.

$$\frac{\text{Furnace input (Btu/hr)}}{2,000 \text{ Btu/hr per square inch}} = \text{Free area required}$$

$$\frac{90,000}{2,000} = 45 \text{ square inches}$$

Each duct must have a minimum cross sectional area of 45 square inches.

## SECTION 5. CONDENSATE DRAIN

This furnace produces a slightly acidic condensate as a by-product of combustion. This condensate must be disposed of according to prevailing local codes, which may include neutralizing the condensate. Please observe the following in regards to the condensate:

- The furnace's drain trap must be primed. This is easily done by pouring a few cups of water into furnace vent pipe after drain installation is complete. Field installed drain line from furnace must flow down hill from furnace trap.
- Construct the drain of non-ferrous material like PVC or CPVC, and in accordance with local governing codes.
- A frozen or blocked drain line will cause furnace shutdown and "no-heat" complaints. Protect drain trap and drain tubing from freezing.
- When a condensate pump is used, select a pump designed for furnace condensate.

**CAUTION:** Make sure that drain connections do not leak. Air leaks around drain hoses will prevent furnace from draining and cause the furnace to shutoff. Make sure all hose clamps are installed correctly.

## DRAIN TRAP INSTRUCTIONS-- DOWNFLOW POSITION

1. Select drain location option from Figure 21 that best fits your installation. In downflow position, condensate trap can be mounted for draining through either side of furnace.
2. From parts package find the following parts: condensate drain trap, 8 1/2" section of 13/16" OD drain hose, and two small hose clamps.
3. From inside of casing, insert drain trap through hole in side of casing, port B end first. Slide trap down with casing between first set of guides. Trap will protrude from casing about 1 inch with port B pointed down. Port A of trap will be inside of casing and pointed up.
4. Attach condensate hose and one hose clamp to port A of drain trap. Attach other end of condensate hose and hose clamp to inducer-pan drain port F. For right-side drain, use inducer-pan port C, located in lower right-hand corner of inducer pan. For left-side drain, move rubber cap from inducer-pan port F, (located in lower left-hand corner) to port C. Attach condensate hose to port F.

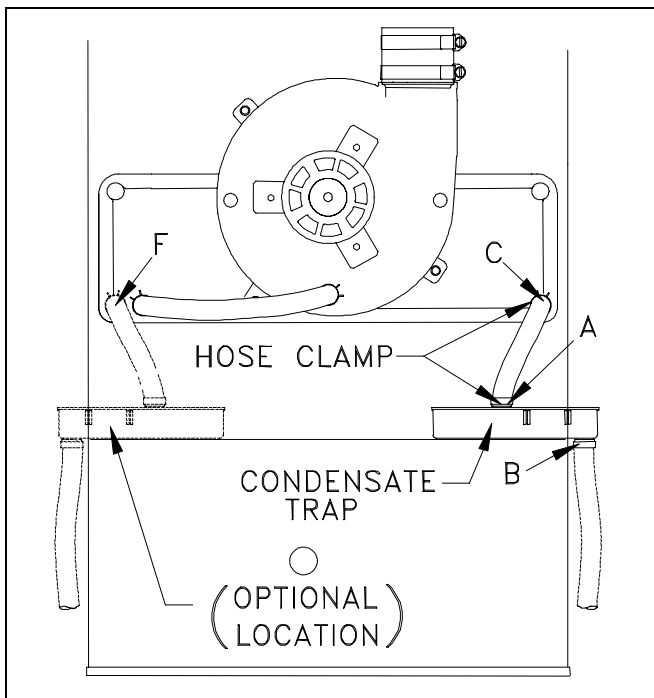


Figure 21. Downflow Drain-Trap Installation.

5. Complete installation of condensate drain system from condensate trap (port B) with field supplied parts.

## DRAIN TRAP INSTRUCTIONS-- HORIZONTAL AIR-LEFT POSITION

1. See Figure 22 for drain trap location for your installation. In horizontal positions, condensate drain trap must be mounted through bottom side of furnace.

2. From parts package find the following parts: condensate drain trap, 8 1/2" section of 13/16" OD drain hose, and two small hose clamps.
3. From underside of casing, insert drain trap through hole in casing, port B end first. Slide trap toward inducer pan with casing between trap mounting guides. Use first set of guides for 17 1/2" and 23 1/2" wide models. Use second set of guides for 20 1/2" wide models. Trap will protrude into casing with port B pointed toward inducer-pan-drain port C. Port A of trap will be outside of casing and pointed toward front of furnace.
4. Cut condensate hose to a length of 4 1/2 inches. Attach hose and one hose clamp to port B of drain trap. Attach other end of condensate hose and hose clamp to inducer pan drain port C.
5. Complete installation of condensate drain system from condensate trap (port A) with field supplied parts.

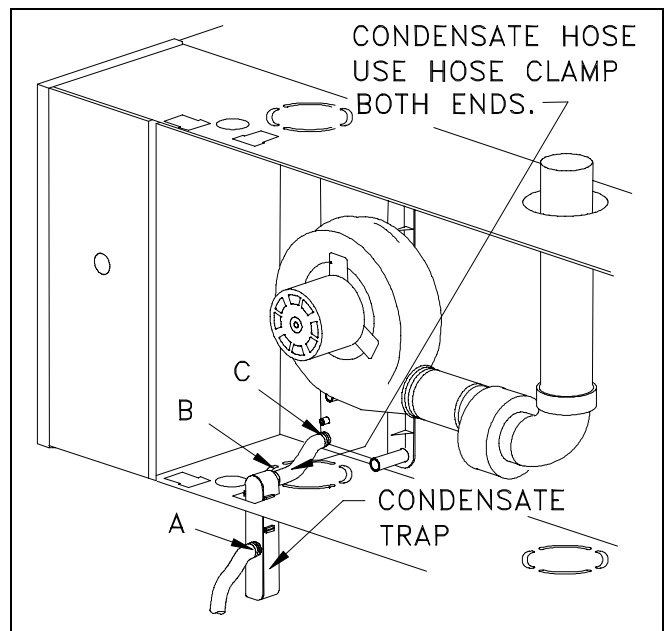


Figure 22. Horizontal Air-Left Drain-Trap Installation.

## DRAIN TRAP INSTRUCTIONS-- HORIZONTAL AIR-RIGHT POSITION

1. See Figure 23 for drain trap location for your installation. In horizontal positions, condensate drain trap must be mounted through bottom side of furnace.
2. From parts package find the following parts: condensate drain trap, 8 1/2" section of 13/16" OD drain hose, and two small hose clamps.

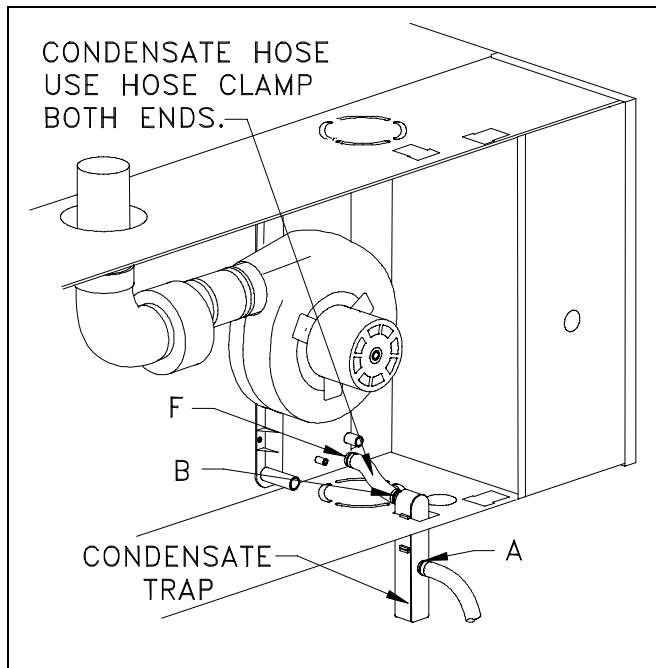


Figure 23. Horizontal Air-Right Drain-Trap Installation

3. Move cap from inducer-pan port F, located in lower right-hand corner of inducer pan, to port C, located in upper right-hand corner of inducer pan.
4. From underside of casing, insert drain trap through hole in casing, port B end first. Slide trap toward inducer pan with casing between trap mounting guides. Use first set of guides for 17 1/2" and 23 1/2" wide models. Use second set of guides for 20 1/2" wide models. Trap will protrude into casing with port B pointed toward inducer-pan-drain port F. Port A of trap will be outside of casing and pointed toward front of furnace.
5. Cut condensate hose to a length of 4 1/2 inches. Attach hose and one hose clamp to port B of drain trap. Attach other end of condensate hose and hose clamp to inducer pan drain port F.
6. Complete installation of condensate drain system from condensate trap (port A) with field supplied parts.

## SECTION 6. INSTALLING GAS PIPING

### PREPARATION

Refer to the current National Fuel Gas Code ANSI Z223.1/NFPA 54 or CAN/CGA B149 Installation Codes and local codes for gas piping requirements and sizing. Pipe size running to furnace depends on:

- Length of pipe
- Number of fittings
- Specific gravity of gas
- Input requirements (Btu per hour) of all gas-fired appliances attached to same main supply line.

Plan furnace gas supply piping so it will not interfere with removal of burner assembly, front door or blower door for servicing.

Make sure gas piping is large enough for all appliances connected to it to operate at once without lowering gas supply pressure. Failure to do so could cause lighting or burning problems on any of the appliances.

Always use a pipe thread compound that is resistant to propane (LP) gas solvent action. Sparingly apply thread compound to all joints on male threads only, starting two threads from the end.

### INSTALLATION

Gas supply piping can be installed from either side of furnace casing. Install gas supply piping according to Figure 24 and the following instructions.

1. Install a 4-inch long x 1/2" NPT black-iron pipe nipple through gas entry grommet and into gas-control inlet elbow. Install a black iron pipe elbow on 4-inch nipple. Tighten gas tight. Do not over tighten.
2. Install a ground-joint union and a drip leg immediately upstream of the furnace. Ground-joint union allows easy servicing of burner assembly and furnace gas control. Ground-joint union must be listed by a nationally recognized testing laboratory.

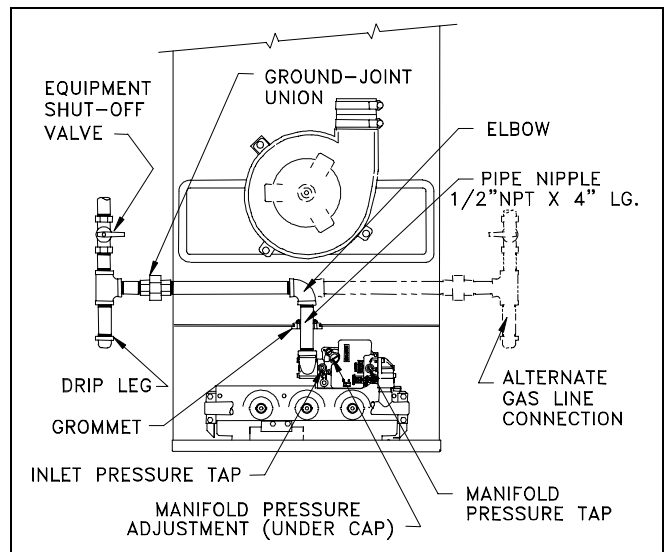


Figure 24. Gas Line Installation (downflow position shown).

3. Install a manual "equipment" shut-off valve in gas supply line immediately upstream of ground-joint union. Equipment shut-off valve must be listed by a nationally recognized testing laboratory.

### TESTING FOR LEAKS

Isolate furnace and its gas control from gas supply line during leak checks. Gas-supply line test pressure determines how you isolate gas control.

The furnace and its gas control must be disconnected from gas supply piping system at ground joint union during any pressure testing of the system at test pressures greater than 1/2 psi (14 inches W.C.).

The furnace must be isolated from gas supply piping system by turning off equipment shut-off valve during any pressure testing of the system at test pressures equal to or less than 1/2 psi (14 inches W.C.).

**WARNING:** When test pressure is above 1/2 psi (14 inches W.C.), completely disconnect furnace and gas control from gas supply line. Failure to isolate furnace and gas control from test pressure could damage them, causing gas to leak, resulting in fire or explosion.

Use a commercial soap solution made to detect leaks and check all gas piping connections. Bubbles indicate gas leakage. Seal all leaks before proceeding.

## SECTION 7. INSTALLING ELECTRICAL WIRING

**CAUTION:** Label all wires prior to disconnection when servicing controls. Wiring errors can cause improper and dangerous operation. When replacing original wire, use same type, color, and size wire. Remember to renumber wire ends. Verify proper operation after servicing.

### 115 VOLT WIRING

Wire furnace according to the Field Wiring Diagram shown in Figure 25, local codes, and current National Electrical Code ANSI/NFPA 70 or Canadian Electrical Code CSA C22.1. Also, see Furnace Wiring Diagram in Figure 26.

Install proper electrical grounding by attaching grounding source to green wire in furnace junction box. Follow local codes or in the absence of local codes, the current National Electrical Code ANSI/NFPA 70 or Canadian Electrical Code CSA C22.1.

**WARNING:** Failure to provide a proper electrical ground could result in electric shock or fire.

Provide furnace with its own separate electrical circuit and means of circuit protection. Furnace must have an electrical disconnect switch located at furnace.

**WARNING:** Failure to provide the above shut-off means could result in electrical shock or fire.

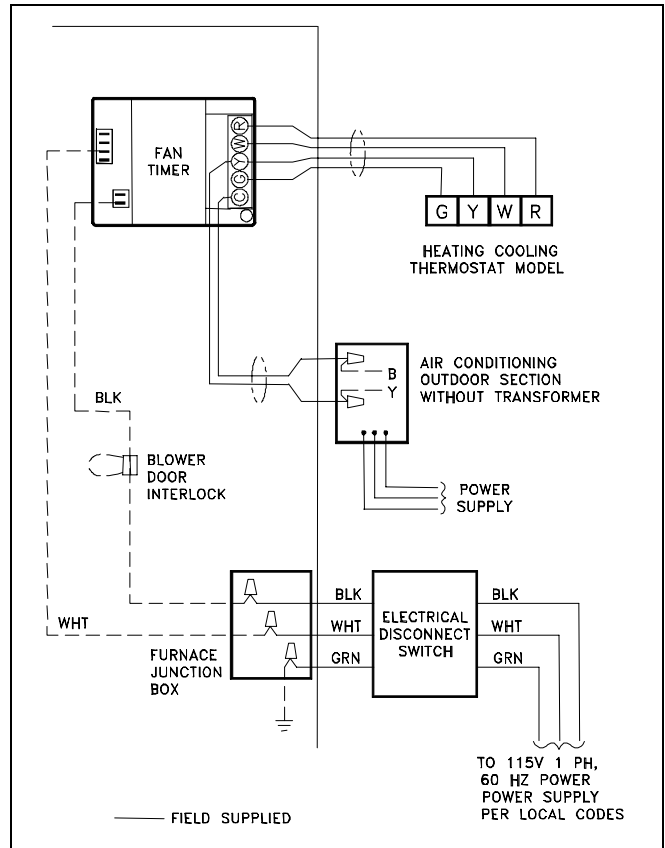


Figure 25. Field Wiring Diagram.

Use electrical wiring that meets current National Electrical Code ANSI/NFPA 70 or Canadian Electrical Code CSA C22.1 and local codes. Use Type T (63 degrees C rise) wire or equivalent.

### 24 VOLT WIRING

Select a location for room thermostat on a draft-free interior wall that is away from supply and return air registers, lights, television, direct sunlight, or other heat sources.

Install thermostat following field-wiring diagram in Figure 25 and thermostat manufacturer's instructions. Thermostat wire should be 18 AWG wire for best results.

**NOTE:** For proper cooling operation, "Y" wire must be connected to Fan Timer. "Y" wire controls cooling speed blower operation.

Set the thermostat's heat anticipator following instructions provided with thermostat. This furnace will have heat anticipator current of approximately 0.4 amps.

**CAUTION:** 24 VAC accessories that draw power from the furnace's transformer should not be installed on this furnace. Addition of such accessories may cause improper furnace operation and limit transformer life.

## SECTION 8. SEQUENCE OF OPERATION

### HEATING MODE

1. Thermostat calls for heat ("R" and "W" terminals connected). Fan Timer verifies that burner limits, primary limit and pressure switch are in normally closed (NC) position.
2. Draft-inducer relay is energized and draft inducer motor starts. Pressure switch normally-open contacts close after a short delay, energizing gas control.
3. Gas control provides power to igniter and pilot valve to light pilot. After proving pilot flame, the main valve opens and igniter turns off.

NOTE: If the gas control does not sense a pilot flame within 30 seconds, it will turn off the igniter while continuing to purge the gas line. After 30 seconds, the igniter will turn on again. If a pilot is not sensed in the next 30 seconds, the gas control will turn off for 5 minutes. This sequence will continue as long as there is a call for heat.

4. Fan Timer energizes main blower in 30 seconds.
5. After thermostat is satisfied, gas control is de-energized. After a 5 second post-purge, draft inducer de-energizes and returns pressure switch to normally closed (NC) position.
6. Main blower remains energized for 60 to 180 seconds depending on heating blower off-delay setting.

NOTE: This furnace will lock-out if the main blower fails in heating mode. During lock-out, the Fan Timer's diagnostic light signal will be 4 flashes. The furnace's Fan Timer can be reset by cycling power to furnace.

NOTE: On each heating cycle, this furnace verifies that the pressure switch did not stick closed on the previous cycle. This condition is detected by checking the pressure switch's normally closed circuit. If the normally closed circuit is open, furnace will not operate and the Fan Timer's diagnostic light signal will be 3 flashes.

### COOLING MODE

Thermostat calls for cooling ("R", "Y" and "G" terminals connected). Condensing unit contactor closes, energizing condensing unit. Fan Timer energizes main blower on cooling speed after a short delay. After thermostat is satisfied, condensing unit contactor is de-energized. Main blower remains energized for 60 seconds.

### CONSTANT FAN MODE

Thermostat calls for constant fan ("R" and "G" terminals connected). Fan Timer energizes main blower on heating speed.

A call for cooling, while in constant fan mode, causes main blower to change from heating to cooling speed. Sixty seconds after the call for cooling mode ends, main blower changes back to heating speed. A call for heating mode while in constant fan mode does not effect main blower operation. The main blower runs constantly on heating speed.

## CONTINUOUS LOW-SPEED FAN OPTION

Some models are equipped with a fan timer that allows continuous low-speed fan as an option. When available, this option can be used to operate the blower on low speed anytime the blower is not otherwise running on heating or cooling speed. These models do not have electronic air cleaner terminals on the fan timer.

To use this option, follow these steps:

1. Disconnect electrical power
2. Remove insulator cap from "CONT" terminal on Fan Timer.
3. Plug blower low-speed wire (red wire) into "CONT" terminal.
4. Place insulator cap on "UNUSED MOTOR LEAD" terminal on Fan Timer.
5. Reconnect power. Motor will start on low speed immediately.

## ELECTRONIC AIR CLEANER OPTION

For models with Electronic Air-Cleaner (EAC) terminals, the Fan Timer "EAC" terminals are energized with 115 VAC when the main blower is energized. "EAC" terminals are 1/4 inch quick connect tabs located under breakaway covers. Use insulated quick connects when connecting to "EAC" terminals. Limit total "EAC" current plus main blower current to 15 amps max.

## HUMIDIFIER

Fan Timer "HUM" terminals are energized with 115 VAC (1 amp. Max.) when draft inducer is energized. "HUM" terminals are 1/4-inch quick connect tabs located under breakaway covers. Use insulated quick connects when connecting to "HUM" terminals.

## BURNER LIMIT CIRCUIT OPEN

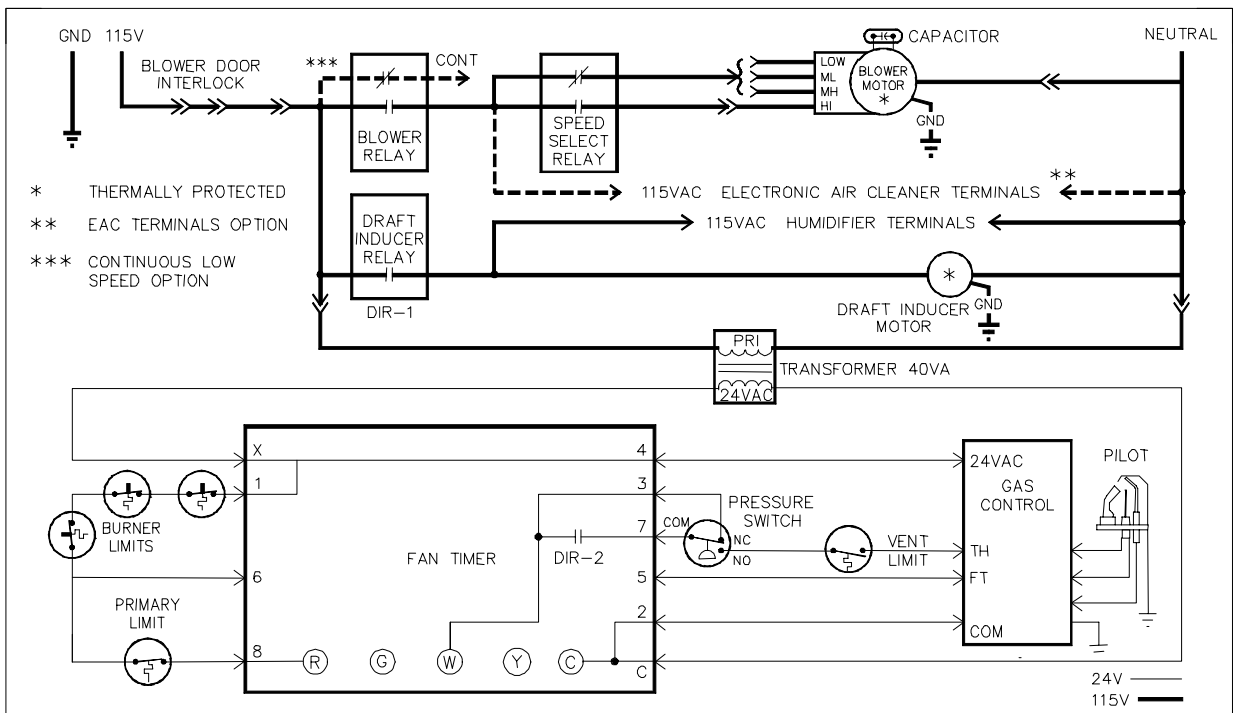
If the burner limit circuit opens: burners turn off, draft inducer stays on, main blower stays on, there is no 24 volt power on the "R" terminal and diagnostic light signal is 1 flash.

## PRIMARY LIMIT CIRCUIT OPEN

If the primary limit circuit opens: burners turn off, draft inducer turns off, main blower stays on, there is no 24 volt power on the "R" terminal and the diagnostic light signal is 2 flashes.

## VENT LIMIT CIRCUIT OPEN

If vent limit circuit opens: burners turn off, draft inducer runs during call for heat, and main blower turns off after blower off-delay. There is 24-volt power on the "R" terminal and no diagnostic light signal.



FURNACE MUST BE GROUNDED. CONFORM TO LATEST NATIONAL ELECTRICAL CODE, ANSI/NFPA 70 OR CANADIAN ELECTRICAL CODE, CSA C22.1 AND LOCAL CODES.

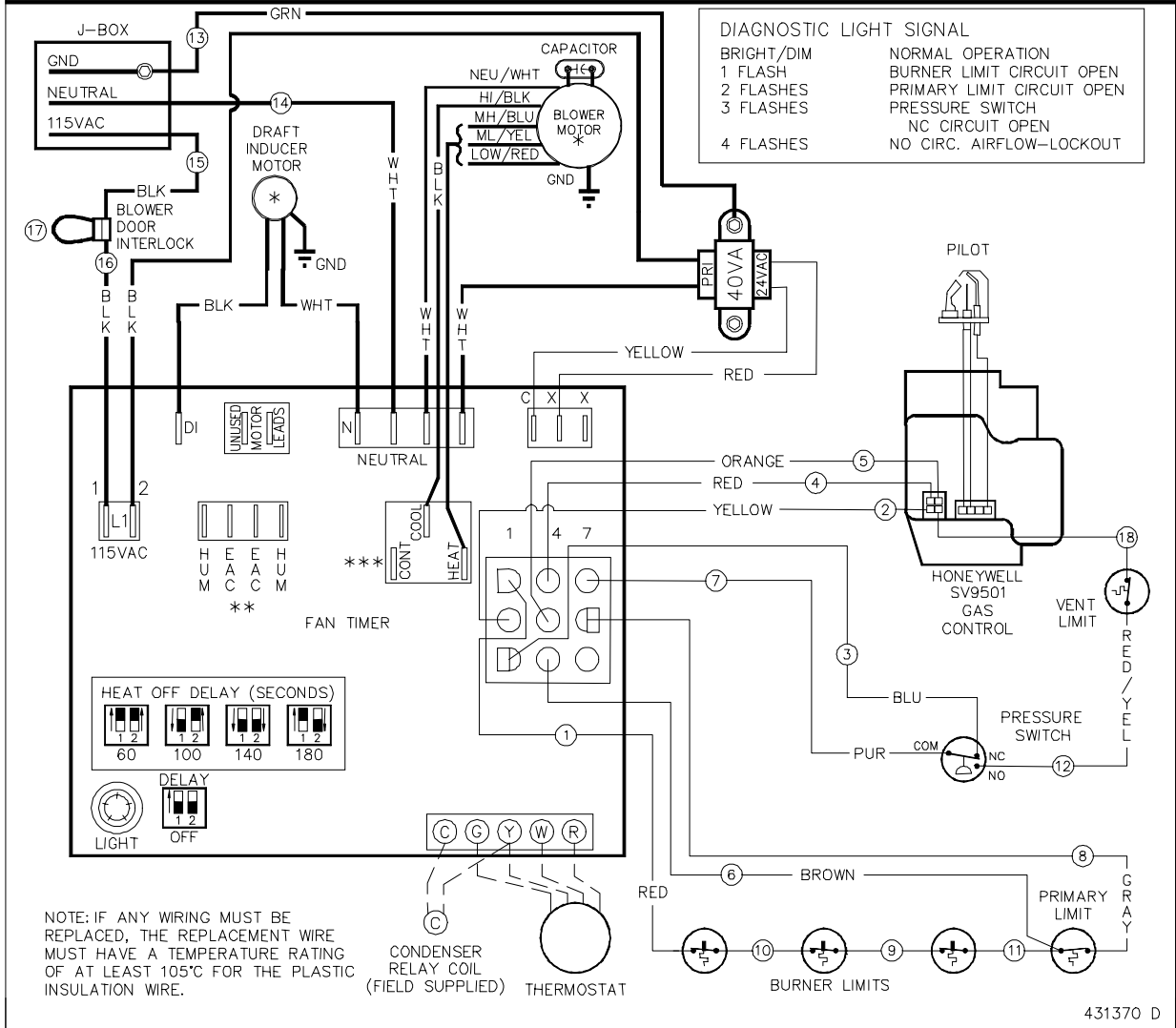


Figure 26. Furnace Wiring Diagram.

## SECTION 9. INSTALLING DUCT SYSTEM

Properly size duct system based on heat-loss and heat-gain calculations to ensure good heating and cooling installations, potentially fewer call-backs, and delivery of required circulating air. Install duct system to meet current Standard for Installations of Warm Air Heating and Air Systems ASHRAE/NFPA 90 and local codes.

**CAUTION:** Failure to follow these standards could reduce airflow or increase air leakage, resulting in reduced system performance or furnace damage.

Design duct system so furnace will operate at a static pressure of less than 0.50 inches W.C. on high blower speed. This static pressure limitation includes the total pressure losses on both supply air side and return air side of system. Supply side pressure loss includes cooling coil, ducts and room registers. Return side pressure loss includes return grilles and ducts. Pressure losses are calculated based on 400 CFM per ton of cooling.

### SUPPLY AIR DUCT WORK

Supply air duct (plenum) connections must be at least as big as furnace supply opening. Seal supply-air ductwork to furnace casing, walls, ceilings or floors it passes through. End ductwork outside furnace space.

See Figure 27 for floor cutout dimensions for combustible floor base.

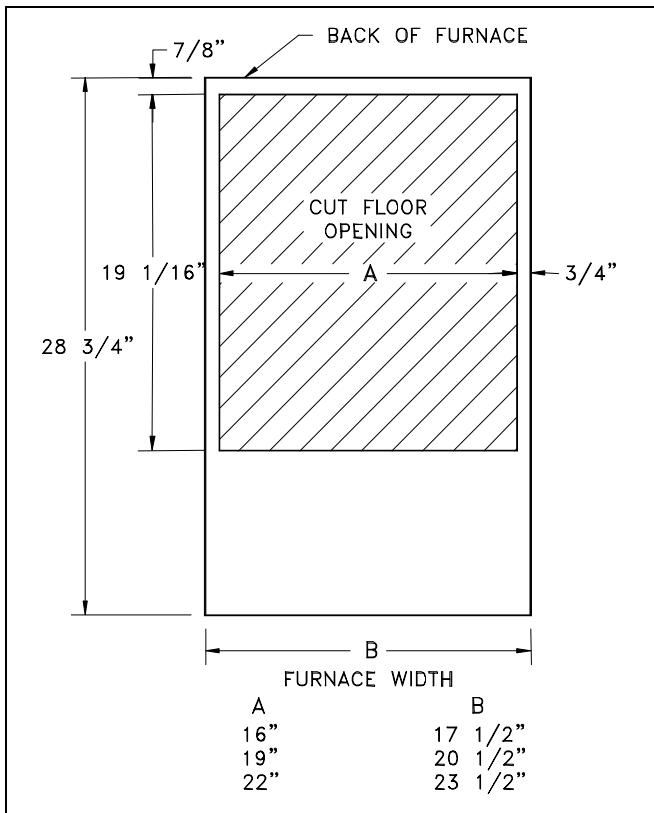


Figure 27. Floor Cutout Dimensions.

Note: A combustible floor base, available from the manufacturer, is required for downflow furnace installation on wood flooring.

On furnaces not equipped with a cooling coil, a removable access panel that is large enough to allow viewing of the heat exchanger should be provided in the supply duct. The access panel should be accessible when the furnace is installed. Seal access-panel cover to prevent leaks.

If you install furnace in horizontal position with a cooling coil, an eighteen-inch transition between furnace and cooling coil should be used to allow free airflow into the coil. Also, consult cooling coil installation instructions.

### RETURN AIR DUCT WORK

When furnace is installed so that supply air ducts carry air to areas outside the space containing the furnace, return air must be handled by a duct(s) sealed to furnace casing and terminating outside the space containing furnace.

**WARNING:** Failure to seal return-air ductwork could allow combustion products to enter circulating air stream resulting in injury or death by asphyxiation.

In downflow position, return-air duct must have a minimum inside depth of 19-7/8 inches for filters to fit. See Figure 28.

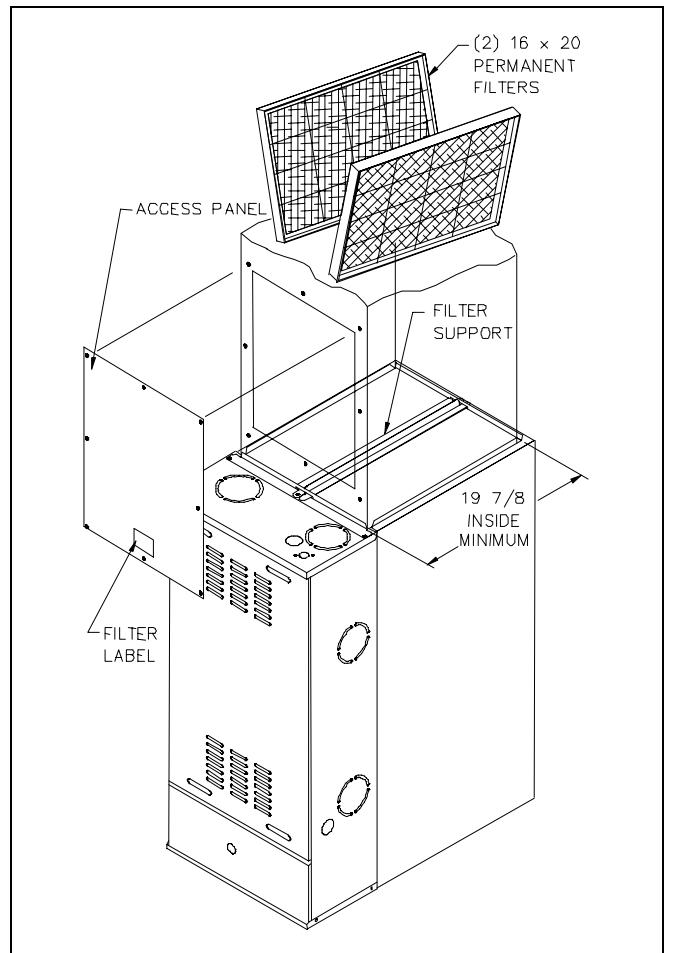


Figure 28. Downflow Filter Application.

## DUCT DAMPERS

You may balance airflow with dampers installed in each branch run duct and adjust for even temperature throughout the heated space. For proper furnace operation, make sure of the following:

- Supply air registers and return air grilles are open;
- Rugs, carpets, drapes or furniture are clear of registers and grilles;
- Size and shape of supply air plenum is correct;
- Number of supply air ducts is correct.

## LOCATION OF COOLING COIL

If furnace will share common duct system with a separate cooling unit, install furnace parallel to or upstream of cooling unit. This avoids condensation in heating element. Do not install cooling coil in return-air ductwork. With parallel flow, dampers must be installed to prevent chilled air from entering furnace. If dampers are not in full heat or full cool position, furnace or cooling unit must not operate.

## SECTION 10. SELECTING AND INSTALLING FILTERS

Properly installed air filters keep blower motor, blower wheel and cooling coil (if installed) clean. Filters and filter mounting hardware are not supplied with this furnace. Filter system must be field supplied. The manufacturer has downflow filter kits available.

This furnace was designed for external filters. Do not install air filters inside furnace casing. Obtain and install proper filter frames and correctly sized filters. To inspect, clean or replace air filters, follow the instructions in the User's Information Manual.

**CAUTION:** You must install air filters to keep blower motor, blower wheel and cooling coil (if installed) clean. Dirty equipment may reduce system efficiency or cause erratic control performance and can result in damage to blower motor, heat exchanger or air conditioner (if installed).

Follow these instructions for minimum size and quantity recommendations. Air velocity must not exceed 300 feet per minute through low velocity disposable filters. Air velocity must not exceed 650 feet per minute through high velocity washable filters. Undersized filters reduce airflow and can adversely affect furnace and cooling system operation.

## FILTER MOUNTING

Use a downflow filter kit, field fabricated filter cabinet, or a return-air filter grille. Field fabricated filter cabinets should allow spacing between filter and furnace. Placing a field-supplied filter directly against furnace will decrease airflow and adversely affect furnace operation.

When using manufacturer's downflow filter kit, filters must be at least 16" X 20" X 1", high-velocity, washable filters (included in kit). See Figure 28.

See Table 6 for minimum recommended filter size for field fabricated filter cabinets or return-air filter grille.

Table 6. Minimum Recommended Filter Size (inches).

<b>GAS INPUT* (Btu/hr)</b>	<b>MOTOR* HORSE-POWER</b>	<b>DISPOSABLE AIR FILTER - two required</b>	<b>HIGH-VELOCITY WASHABLE AIR FILTER</b>
54,000	1/3	16 X 25 X 1	16 X 25 X 1
72,000	1/2	16 X 25 X 1	16 X 25 X 1
90,000	1/2	16 X 25 X 1	16 X 25 X 1
72,000	3/4	20 X 25 X 1	20 X 25 X 1
90,000	3/4	20 X 25 X 1	20 X 25 X 1
108,000	3/4	20 X 25 X 1	20 X 25 X 1
126,000	3/4	20 X 25 X 1	20 X 25 X 1

\* GAS INPUT and MOTOR HP can be found on furnace rating plate.

## SECTION 11. CHECKS BEFORE STARTING FURNACE

Before starting furnace for the first time, be sure you can answer "Yes" to each of these questions:

1. Is furnace properly equipped to operate with available fuel?
2. Is furnace level or tilted forward within 1/4 inch from front to back?
3. If Downflow, is furnace level within 1/4 inch from side to side?
4. If Horizontal, is furnace level or tilted toward burner up to 1/4".
5. Have you cleared away all loose construction and insulation materials?
6. Is furnace installed with proper clearances?
7. If furnace is in a crawl space, is it sufficiently elevated above the ground.
8. Does furnace have sufficient combustion and ventilation air?
9. Is the vent system sloped toward the furnace at least 1/4 inch per foot?
10. Have you checked the vent system for leaks?
11. Did you completely check gas pipe and controls for gas leaks?
12. Does electrical wiring follow current National Electrical Code ANSI/NFPA 70 or Canadian Electrical Code CSA C22.1 as well as local codes?
13. Is furnace electrically grounded?
14. Is room thermostat properly installed and heat anticipator set correctly?
15. Is duct system correctly sized and sealed?
16. Are air filters in place and correctly sized?



## SECTION 12. GAS SUPPLY PRESSURE AND PILOT ADJUSTMENT

You will need a 0 to 15 inch water manometer with 0.1 inch resolution and a 1/8" NPT manual shut-off valve to measure actual gas pressure.

### CHECKING GAS SUPPLY PRESSURE

1. Turn off gas at equipment shut-off valve in gas supply line just ahead of furnace.
2. Remove three screws holding burner access panel in place. Remove burner access panel.
3. Remove inlet pressure plug from gas control. See Figure 24.
4. Install 1/8" NPT manual shut-off valve in hole vacated by plug. Make sure valve is in off position.
5. Attach manometer to 1/8" NPT manual shut-off valve just installed.
6. Slowly open equipment shut-off valve in gas supply line just ahead of furnace.
7. Slowly open 1/8" NPT manual shut-off valve leading to manometer.
8. Turn on all gas appliances attached to gas supply line.
9. With furnace operating, read gas supply pressure on manometer.
  - Natural gas supply pressure must be between 5 and 7 inches W.C.
  - Propane gas (LP) supply pressure must be between 11 and 13 inches W.C.
10. If gas supply pressure is not within these limits, call gas supplier. Turn off all gas appliances attached to gas supply line.
11. Shut off furnace.
12. Turn off gas at equipment shut-off valve in gas supply line just ahead of furnace. Remove shut-off valve from gas-control inlet pressure tap. Install pressure tap plug. Turn on gas.
13. Replace burner access panel using three screws removed in step 2.

### PILOT FLAME ADJUSTMENT

Before adjusting pilot flame, confirm that gas supply pressure is correct, as explained above.

NOTE: Pilot flame adjustment was checked at the factory and should not require adjustment. However; pilot adjustment is possible if necessary.

1. Remove three screws holding burner access panel in place. Remove burner access panel.
2. Start furnace following "Operating Instructions" on front door.

3. Pilot flame should cover 1/2 inch of tip of flame sensor as shown in Figure 29.
4. If you need to adjust pilot flame, remove pilot-adjustment cover screw on gas control. Save cover screw for re-installation. Turn inner adjustment screw clockwise to decrease pilot flame; counter-clockwise to increase pilot flame. Install cover screw and tighten to torque of 5 inch-pounds to prevent gas leakage.

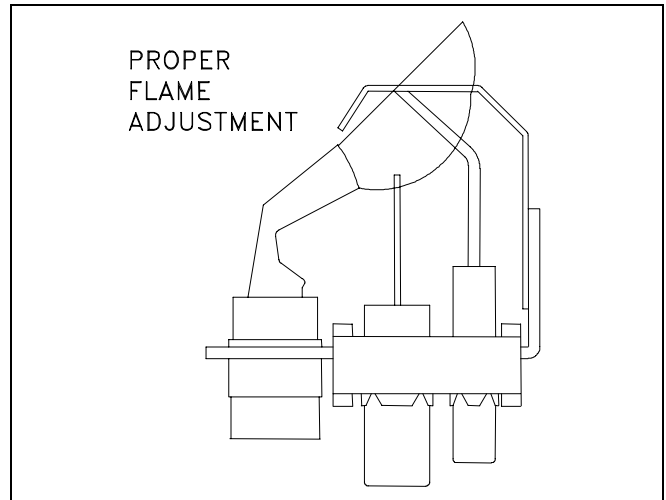



Figure 29. Pilot Flame Adjustment.

5. Check pilot-adjustment cover screw and gas-control inlet-pressure-tap plug for gas leaks. Use a commercial soap solution made for leak detection.
6. Replace burner access panel using three screws removed in step 1.

## SECTION 13. MANIFOLD PRESSURE ADJUSTMENT

You will need a 0 to 15 inch water manometer with 0.1 inch resolution and a 1/8" NPT manual shut-off valve to measure actual manifold pressure.



**WARNING:** Correct manifold pressure is necessary for proper ignition and burner operation. Failure to accurately adjust pressure could cause heat exchanger failure.

Check gas-supply pressure first. Follow instructions in Section 12, "Gas Supply Pressure and Pilot Adjustment."

1. Turn off gas at equipment shut-off valve in gas supply line just ahead of furnace.
2. Remove three screws holding burner access panel in place. Remove burner access panel.
3. Remove plug from manifold pressure tap in gas control. See Figure 24.
4. Install 1/8" NPT manual shut-off valve in hole vacated by plug. Make sure shut-off valve is in off position.


5. Attach manometer to 1/8" NPT manual shut-off valve just installed.
6. Slowly open equipment shut-off valve in gas supply line just ahead of furnace. Start furnace following "Operating Instructions" inside front door.
7. Slowly open 1/8" NPT manual shut-off valve leading to manometer.
8. Read manifold pressure on manometer.
9. Adjust manifold pressure by turning gas control regulator adjusting screw clockwise to increase pressure or turning counter-clockwise to decrease pressure. Manifold pressure must be within allowable range below:
  - Natural gas manifold pressure must be between 3.2 and 3.8 inches W.C.
  - Propane gas (LP) manifold pressure must be between 9.7 and 10.3 inches W.C.

NOTE: For natural gas, if gas flow rate cannot be properly set within these pressure ranges then you must change main burner orifices to obtain proper gas flow rate.

10. Shut off furnace. Turn off gas at equipment shut-off valve in gas supply line just ahead of furnace. Install outlet-pressure-tap plug in gas control. Turn on gas.
11. Check regulator-adjustment-cover screw and gas control plug for gas leaks. Use a commercial soap solution made for leak detection.
12. Replace burner access panel using three screws removed in step 2.

## SECTION 14. CHECKING GAS INPUT RATE

It is the installer's responsibility to see that the Btu input rate of the furnace is properly adjusted. Under-firing could cause inadequate heat, primary heat exchanger corrosion and/or ignition problems. Over-firing could cause sooting, flame impingement and/or overheating of heat exchanger.



**WARNING:** Failure to adjust furnace to the proper firing rate could cause heat exchanger failure.

Depending on your local gas heating value and elevation, you may need to adjust manifold pressure or change orifices to get proper gas input rate. Check with your local gas supplier to determine heating value (Btu/cu.ft.) of natural gas in your area.

NOTE: If furnace is being installed at an altitude of more than 2000 feet above sea level, you must derate the furnace. See Section 15, "Derating For High Altitude."

### NATURAL GAS INPUT RATE

Natural gas heating value (Btu/cu.ft.) can vary significantly. Before starting natural gas input check, obtain gas heating value at your location from local supplier. You will need a stopwatch to measure actual gas input.

1. Gas supply pressure must be between 5 and 7 inches W.C. for natural gas. See Section 12, "Gas Supply Pressure and Pilot Adjustment."
2. Turn off all other gas appliances. You may leave pilots on.
3. Start furnace following "Operating Instructions" inside front door. Let furnace warm up for 6 minutes.
4. Locate gas meter. Determine which dial has the fewest cubic feet of gas and how many cubic feet per revolution it represents. This is usually one-half, one or two cubic feet per revolution.
5. With stopwatch, measure time it takes to consume two cubic feet of gas.
  - If dial is one cubic foot per revolution, measure time for two revolutions.
  - If dial is two cubic feet per revolution, measure time for one revolution.
6. Divide this time by two. This gives average time for one cubic foot of gas to flow through meter. Example: If it took 58 seconds for two-cubic feet to flow, it would take 29 seconds for one-cubic foot to flow.
7. Calculate gas input using this formula:

$$\text{Gas input} = \frac{\text{Gas Heating Value (Btu/cu.ft.)} \times 3,600 \text{ sec/hr}}{\text{Time (Seconds for one cubic foot of gas)}} = \text{Btu/hour}$$

Example: Assume it took 29 seconds for one cubic foot of gas to flow and heating value of 1,000 Btu/cu.ft.

$$\text{Gas Input} = \frac{1,000 \times 3,600}{29} = 124,138 \text{ Btu per hour}$$

If you left no other pilots on, this is the furnace gas input.

8. If you left water heater, dryer or range pilots on, allow for them in calculating correct furnace gas input. A quick way is to allow 1,000 Btu per hour for a water heater, 500 Btu per hour for dryer and 500 Btu per hour for each range burner pilot.

Example:

If you left gas water heater, dryer, two range burner pilots and one oven pilot on, allow:

Water heater pilot	1,000 Btu per hour
Dryer pilot	500 Btu per hour
2 range burner pilots	1,000 Btu per hour
1 range oven pilot	500 Btu per hour
	3,000 Btu per hour

Subtracting 3,000 Btu per hour from 124,138 Btu per hour measured above equals 121,138 Btu per hour. This would be the correct furnace gas input after allowing for pilots left on.

9. Manifold pressure may be adjusted within the range of 3.2 inches W.C. to 3.8 inches W.C. to get rated input  $\pm$  2 percent. See Section 13, "Manifold Pressure Adjustment." If you cannot get rated input with manifold pressure within the allowable range, you must change orifices. See Section 17, "Changing Main Burner Orifices."

## PROPANE (LP) GAS INPUT RATE



**WARNING:** Propane (LP) gas installations do not have gas meters to double-check input rate. Measure manifold pressure adjustment with an accurate manometer. Failure to accurately adjust pressure could cause heat exchanger failure.

NOTE: NOx reducing screens must be removed from each tube of California NOx furnaces when converting to propane (LP) gas. See Figure 30.

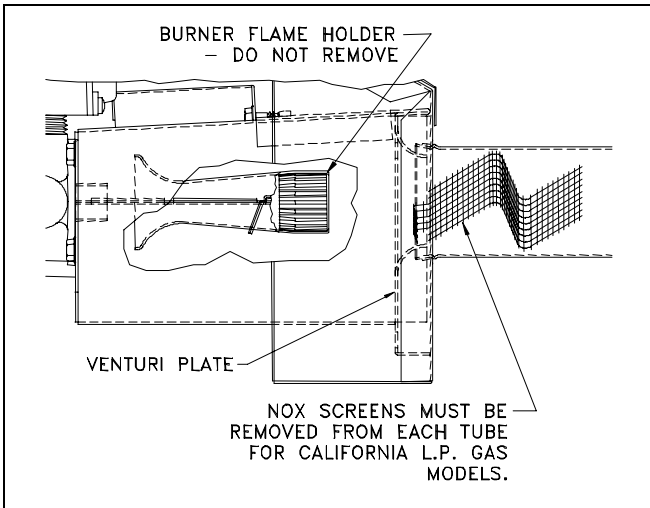


Figure 30. California NOx Screen Removal.

1. Make sure you have correct pilot orifice and main burner orifices.
2. Gas supply pressure must be between 11 and 13 inches W.C. for propane (LP) gas. See Section 12, "Gas Supply Pressure and Pilot Adjustment."
3. Start furnace following "Operating Instructions" inside front door.
4. Let furnace warm up for 6 minutes.
5. Adjust manifold pressure to 10.0 inches W.C.  $\pm$  0.3 inches W.C. See Section 13, "Manifold Pressure Adjustment."

Table 7. Natural Gas Orifice Size. (Millimeters)

GAS HEATING VALUE ** (Btu/cu. ft.)	ELEVATION								
	Up to 2000 Feet	2001 to 3000 Feet	3001 to 4000 Feet	4001 to 5000 Feet	5001 to 6000 Feet	6001* to 7000 Feet	7001* to 8000 Feet	8001* to 9000 Feet	9001* to 10000 Feet
800-849	2.25	2.20	2.15	2.15	2.10	2.05	2.05	2.00	1.95
850-899	2.20	2.15	2.10	2.10	2.05	2.00	2.00	1.95	1.90
900-949	2.15	2.10	2.05	2.05	2.00	1.95	1.95	1.90	1.85
950-999	2.10	2.05	2.00	2.00	1.95	1.90	1.90	1.85	1.80
1000-1049	2.05	2.00	1.95	1.95	1.90	1.85	1.85	1.80	1.75
1050-1099	2.00	1.95	1.90	1.90	1.85	1.80	1.80	1.75	1.75
1100-1149	1.95	1.90	1.85	1.85	1.80	1.80	1.75	1.75	--
1150-1199	1.90	1.85	1.85	1.80	1.75	1.75	--	--	--

\* Above 6000 feet, a high-altitude gas conversion kit must be used.

\*\* At standard conditions: 30.0 inches Mercury, 60°F, saturated.



**WARNING:** Do not set Propane (LP) manifold pressure at 11.0 inches W.C. It could cause heat exchanger failure.

## SECTION 15. DERATING FOR HIGH ALTITUDE

At higher altitudes, the density of the air is lower. Therefore, for proper combustion, the quantity of gas burned in the furnace must be reduced. This is called derating. Furnaces must be derated when installed at altitudes greater than 2,000 feet above sea level.

Derating the furnace by adjusting the manifold pressure lower than the range specified in the Section 13, "Manifold Pressure Adjustment" is considered to be an improper procedure.

At elevations above 2,000 feet, the furnace must be derated 4% for each 1,000 foot above sea level. It is the installer's responsibility to see that the furnace input rate is adjusted properly. Derating must be achieved by reducing the size of the main burner orifices. Choose the proper orifices for your altitude and gas heating value from orifice size table 7 or 8. In Canada, high-altitude models may be available that are rated for 2,000 to 4,500 feet above sea level.

## SECTION 16. DETERMINING CORRECT ORIFICE SIZE

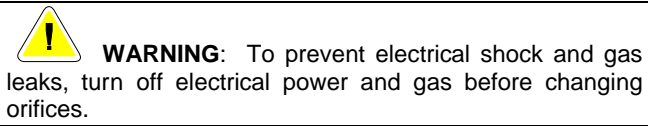
See Table 7 or Table 8 to determine correct orifice size for your gas type, gas heating value, and altitude. Natural gas and propane (LP) gas orifice kits are available through your supplier. Individual orifices are also available in convenient lot sizes. To ensure proper performance, use only manufacturer supplied orifices. To determine which orifices are installed in furnace, see furnace rating plate.

Table 8. Propane (LP) Gas Orifice Size. (Millimeters)

GAS HEATING* VALUE (Btu/cu. ft.)	ELEVATION								
	Up to 2000 Feet	2001 to 3000 Feet	3001 to 4000 Feet	4001 to 5000 Feet	5001 to 6000 Feet	6001* to 7000 Feet	7001* to 8000 Feet	8001* to 9000 Feet	9001* to 10000 Feet
2500-2550	1.20	1.15	1.15	1.15	1.15	1.10	1.10	1.10	1.05

\* Above 6000 feet, a high-altitude gas conversion kit must be used.

## SECTION 17. CHANGING MAIN BURNER ORIFICES



Follow this procedure:

1. Turn off electricity at electrical disconnect switch next to furnace.
2. Turn off equipment shut-off valve in gas supply line just ahead of furnace.
3. Remove three screws holding burner access panel in place. Remove burner access panel.
4. Starting with burner farthest from gas control, remove main burner screws and main burners. Note how burners overlap. Burner farthest from gas control is on top. See Figure 31.
5. Remove original main burner orifices from manifold pipe.
6. Carefully, hand thread new orifices into manifold pipe. Do not cross-thread. Tighten to torque of 50 inch-pounds.
7. Starting with burner closest to gas control, replace main burners and main burner screws. Burner mounting flange of burner farther from gas control overlaps burner-mounting flange of burner closest to gas control.

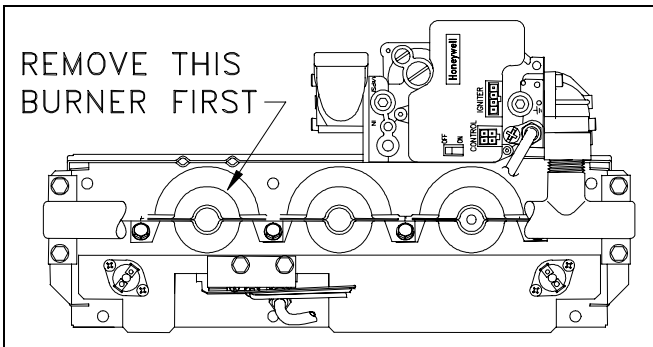


Figure 31. Main Burner Removal.

8. Check burner carry-over alignment. Burner carry-overs may touch but not overlap adjacent burner carry-overs. Replace screws.

9. Replace burner access panel using three screws removed in step 3.
10. Open equipment shut-off valve in gas supply line just ahead of furnace.
11. Set room thermostat to highest setting and to heating mode.
12. Turn on electricity at electrical disconnect switch located next to furnace. Furnace will light.
13. Visually check that each burner lights promptly.
14. Check gas input following Section 14, "Checking Gas Input Rate."
15. Reset room thermostat to desired setting.

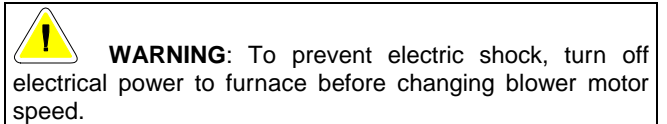
## SECTION 18. ADJUSTING BLOWER SPEED

Determine initial heating and cooling speeds in system design stage. See Specification Sheet for airflow data. Depending on tests performed in following sections, you may need to change blower motor speed.

**CAUTION:** Heating speed tap should not be reduced below factory setting. Doing so may result in inadequate air circulation, and could cause excessive air temperature rise through furnace. This could cause a high-temperature limit switch to cycle burners on and off, reducing furnace efficiency and shortening heat exchanger life.

All models have these four motor speed designations:

High Speed (HI)	Black wire
Medium High Speed (MH)	Blue wire
Medium Low Speed (ML)	Yellow wire
Low Speed (LO)	Red wire



1. To change cooling speed, move desired motor lead to terminal marked 'COOL' on Fan Timer. See Figure 32. Initial factory setting for cooling is high speed (black wire).
2. To change heating speed, move desired motor lead to terminal marked 'HEAT' on Fan Timer. See Figure 32. Factory setting for heating is listed in Table 9. Heating speed should not be reduced below factory setting.

## SECTION 19. MEASURING DUCT SYSTEM STATIC PRESSURE

You will need a 0 to 1 inch W.C. slope gauge with 0.01-inch resolution and two pressure measurement taps to measure duct system static pressure.

System airflow can be determined from Specification Sheet when duct system static pressure is known. Improper airflow in heating mode may result in poor heating performance and reduced heat exchanger life. Improper airflow in cooling mode may cause poor cooling performance or air-conditioning coil freeze-up.

High duct-system static pressure is an indication of an overly restrictive duct system. Static pressure in excess of 0.5 inches W.C. indicates a need for duct system redesign to ensure proper volume of airflow.

Follow this procedure:

1. Open supply air registers and return air grilles. Make sure registers and grilles are free of obstruction from rugs, carpets, drapes or furniture.
2. Set balancing dampers in supply duct system.
3. Check ductwork for obstructions or leaks.
4. Make sure filters are clean and in place.
5. Make sure that blower speed taps are set for proper heating and cooling. Refer to Section 18, "Adjusting Blower Speed." Heating speed should be set according to Table 9. Cooling speed should be set to meet cooling equipment requirements. See Table 10 for cooling airflow capacities at 0.5 inch W.C.
6. Place slope gauge near furnace, level and adjust scale to read 0.00 inches W.C.
7. Insert one static pressure tap into supply-air duct between furnace and cooling coil or in supply air plenum for heating only systems. Connect this pressure tap to positive pressure side of slope gauge.
8. Insert other static pressure tap in return air plenum. Connect this pressure tap to negative pressure side of slope gauge.
9. Start blower.
  - Blower heating speed can be run by jumping terminals "R" and "G" on 24-volt terminal block located on Fan Timer.
  - Blower cooling speed can be run by jumping terminals "R" and "Y" on 24-volt terminal block located on Fan Timer.

NOTE: On cooling speed, there is a short on-delay before blower starts and a 60-second off-delay before blower stops.

10. Read duct system static pressure from slope gauge.

NOTE: If air filter location is upstream of return-air pressure tap, static pressure must be adjusted to exclude filter pressure drop. Do this by subtracting 0.08 inches W.C. from the measured static pressure.

$$\text{Duct System Static Pressure} = \text{Measured Pressure} - 0.08 \text{ inches W.C.}$$

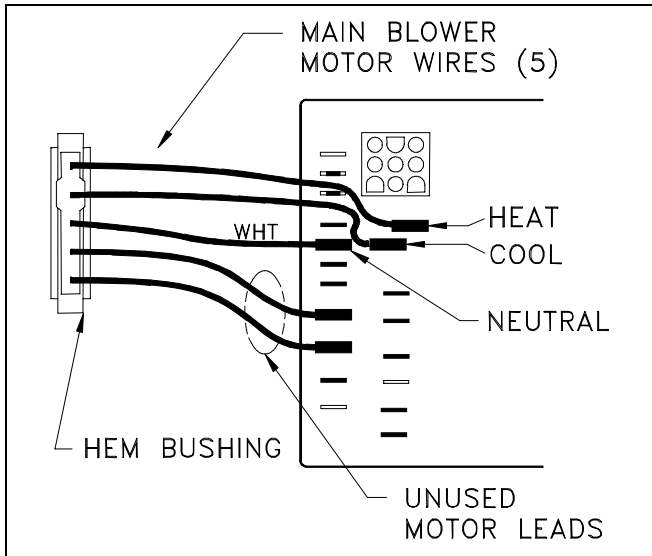


Figure 32. Main Blower Speed Selection.

3. Connect two unused motor leads to terminals marked "UNUSED MOTOR LEADS" on Fan Timer. See Figure 32.

**WARNING:** Failure to properly terminate unused motor leads could cause electrical shock.

Table 9. Factory Heating Speed and Temperature Rise.

GAS* INPUT (Btu/hr)	MOTOR SIZE (HP)	AIR TEMPERATURE RISE RANGE (°F)	HEATING OPERATION **SPEED TAP / WIRE COLOR
54,000	1/3	30-60	MH / BLUE
72,000	1/2	30-60	ML / YEL
72,000	3/4	25-55	ML / YEL
90,000	1/2	45-75	MH / BLUE
90,000	3/4	35-65	MH / BLUE
108,000	3/4	35-65	ML / YEL
126,000	3/4	40-70	MH / BLUE

\* Gas Input and Motor HP can be found on rating plate.  
\*\* These are factory settings.

Table 10. Cooling Speed Selection.

GAS* INPUT (Btu/hr)	MOTOR SIZE (HP)	AIR CONDITIONING TONNAGE AT 0.5 INCHES WC -- 400 CFM PER TON						
		1.5	2	2.5	3	3.5	4	5
54,000	1/3	LO	ML	MH	HI		--	--
72,000	1/2		LO	LO	ML	HI	--	--
72,000	3/4			LO	ML	MH	HI	--
90,000	1/2		LO	LO	ML	HI	--	--
90,000	3/4			LO	ML	MH	HI	--
108,000	3/4			--	--	LO	ML	HI
126,000	3/4			--	--	LO	ML	HI

\* Gas Input and Motor HP can be found on rating plate.

This table gives speed tap settings for installations with duct static pressure of 0.5" W.C. Duct work with a static pressure less than 0.5" W.C. will have increased airflow. To determine correct speed tap settings at ductwork static pressures other than 0.5" W.C., see specification sheet.

11. Remove jumper wire from 24-volt terminal strip. Remove pressure taps and seal holes in ductwork.

## SECTION 20. MEASURING AIR TEMPERATURE RISE

You will need 2 thermometers with 1-degree resolution capable of reading up to 175 degrees F.

Air temperature rise (supply air temperature minus return air temperature) must be within allowable air-temperature rise range specified on furnace rating plate and in Table 9.

Follow this procedure:

1. Open supply-air registers and return air grilles. Make sure registers and grilles are free of obstruction from rugs, carpets, drapes or furniture.
2. Set balancing dampers in supply duct system.
3. Check ductwork for obstructions or leaks.
4. Make sure filters are clean and in place.
5. Make sure that blower speed taps are set for proper heating and cooling. Refer to Section 18, "Adjusting Blower Speed." Heating speed should be set according to Table 9. Cooling speed should be set to meet cooling equipment requirements. See Table 10 for cooling airflow capacities at 0.5 inch W.C.
6. Place one thermometer in supply air plenum approximately 2 feet from furnace. Locate thermometer tip in center of plenum to ensure proper temperature measurement.
7. Place second thermometer in return air duct approximately 2 feet from furnace. Locate thermometer tip in center of duct to ensure proper temperature measurement.
8. Set room thermostat on highest temperature setting. Operate furnace 6 minutes. Record supply air and return air temperatures.
9. Calculate air temperature rise by subtracting return air temperature from supply air temperature.
  - If air temperature rise is above temperature rise range specified in Table 9, furnace is overfired or has insufficient airflow. Check gas input following the instructions in Section 14, "Checking Gas Input Rate." If air temperature rise is still above temperature rise range specified, more airflow is needed. Change blower heating speed to a higher setting following instructions in Section 18, "Adjusting Blower Speed."
  - If air temperature rise is below temperature rise range specified in Table 9, furnace is underfired or has too much airflow. Check gas input following the instructions in Section 14, "Checking Gas Input Rate." If air temperature rise is still below temperature rise range specified, less heating airflow is needed. Change blower heating speed to a lower setting following instructions in Section 18, "Adjusting Blower Speed."
- After making adjustments, you must check air temperature rise to verify that resulting air temperature rise is within allowable range. If air temperature rise is still outside temperature rise range specified in Table 9, check duct system design with a qualified heating engineer. It may be necessary to re-size duct work. Recheck air temperature rise after revising duct systems.

10. Set room thermostat to desired setting.

11. Remove thermometers and seal ductwork holes.

## SECTION 21. CHECKING CONTROLS

Before leaving work site, check to see that all controls are functioning properly.

You will need a 0 to 15 inch water manometer with 0.1 inch resolution and a 1/8" NPT manual shut-off valve.

Follow this procedure:

1. Turn off electricity at electrical disconnect switch next to furnace.
2. Remove three screws holding burner access panel in place. Remove burner access panel.
3. Turn gas control switch to OFF position.
4. Connect a manometer to gas control outlet (manifold) pressure tap.
5. Set room thermostat to its highest temperature.
6. Turn on electricity at electrical disconnect switch located next to furnace.
7. Diagnostic light on Fan Timer should be on and cycling bright-dim-bright-dim...
8. Draft inducer should run and pilot igniter should glow but pilot burner should not light. Manifold pressure should remain at zero.
9. Turn gas control switch to ON position.
10. Pilot burner should light and ignite main burners. It may take several minutes to purge gas line before pilot burner lights. Wait 30 seconds after main burner ignition for main blower to start.
11. Cycle electrical disconnect switch next to furnace on and off. Watch at least three ignition cycles. Pilot should ignite main burners smoothly.
12. Burner flames should look the same with circulation blower on and off.
13. Remove manometer from gas control and replace outlet pressure tap
14. Use a commercial soap solution made to detect leaks and check all gas piping connections. Bubbles indicate gas leakage. Seal all leaks before proceeding.
15. Replace burner access panel using three screws removed in step 2.
16. Set room thermostat to desired setting.

## SECTION 22. SETTING BLOWER TIMINGS

Heating blower on-delay is fixed at 30 seconds from when main valve opens. It is not adjustable.

Heating blower off-delay is adjustable to one of four times: 60, 100, 140 or 180 seconds. Heating blower off-delay is factory set at 140 seconds. If a different blower off-delay is desired, do the following:

1. Find two small switches located near 24-volt terminal strip on Fan Timer.
2. Determine switch settings for desired heating blower off-delay. See Figure 33.
3. Set switches on Fan Timer using a small screwdriver.

NOTE: Cooling blower off-delay is fixed at 60 seconds and is not adjustable.

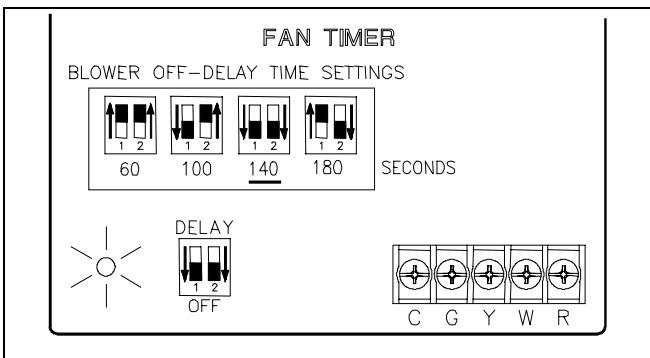


Figure 33. Heating Blower Off-Delay.

## SECTION 23. MAINTAINING FURNACE IN GOOD WORKING ORDER



**WARNING:** Use replacement parts listed in parts list only. Use of incorrect parts on this furnace could cause improper furnace operation, resulting in damage, injury or death.



**WARNING:** Failure to disconnect electrical power before servicing furnace could result in electrical shock or death.

Inspection and cleaning by a qualified service person should be performed once each heating season. Make sure the inspection includes each of the items listed below.

- An operational check of the entire system. Assure that furnace is operating properly and safely.
- Vent pipe must be in place, slope upward at least 1/4 inch per foot and must be physically sound, without holes or loose connections.
- All venting components including vent pipe and vent terminal must be clear and free of obstructions.

- Condensate drain system must be clear and free including all internal and external hoses and condensate trap. Check for signs of condensate leakage.
- Furnace-room or closet combustion and ventilation air openings must be clear and free.
- Furnace combustion-air openings must be clear and free.
- Return air duct must be physically sound, sealed to furnace casing and ending outside the space containing furnace.
- Supply air ducts and return air ducts must be clear and free, and without air leaks.
- Registers and return grilles must be open and unobstructed by rug, carpet or furniture.
- The furnace must be well supported without sagging, cracks, or gaps around the base.
- There must be no obvious signs of deterioration of the furnace. Inspection must include burners, pilot, heat exchanger, inducer pan, and draft inducer.
- Flame holders, located inside the main burners, should be free of lint or dirt. Burners can be cleaned with compressed air.
- Inspect all electrical wiring and connections, including electrical ground.
- Gas pipes must be checked for leaks using a commercial soap solution made to detect leaks.
- Main burners and pilot burner must be in good adjustment as shown in the User's Information Manual. Main burner flame must be clear blue and centered within heat exchanger openings.
- Check furnace area for combustible materials, flammable liquid near furnace, corrosive materials, insulation material within 12 inches of furnace, and signs of high water levels.
- Inspect, clean, or repair as needed the following items: blower housing, blower motor, blower wheel, air filters, draft inducer, and cooling coil.

Heat exchanger flue gas passageways may be cleaned using the following steps:

1. Remove heat exchanger from furnace.
2. Flush heat exchanger passageways with a high-pressure water hose.
3. Replace heat exchanger.

The manufacturer recommends replacement of heat exchanger with a new heat exchanger in the event that flue gas passageways become blocked and cannot be cleaned.

NOTE: Blower motor and inducer motor do not require oiling.

Follow these steps to remove blower assembly:

1. Turn off furnace electrical power.
2. Cut vent pipe and remove vent assembly from the inducer-motor rubber coupling.
3. If necessary, cut and remove air-intake pipe.
4. Disconnect room thermostat wires from 24-volt terminal strip on Fan Timer.

5. Locate five blower motor wires that feed through casing hem.
6. Label blower motor wires for proper replacement.
7. Disconnect blower motor wires from Fan Timer. See Figure 32.
8. Remove 2 screws holding blower door in place. Remove blower door.
9. Pull blower motor wires through casing hem.
10. Remove power-disconnect assembly located in the middle of blower deck.
11. Remove 2 screws holding blower assembly to blower deck.
12. Slide blower assembly out.
13. After cleaning blower assembly, re-assemble in reverse order making sure speed selections are in original positions.
14. Install the vent assembly into the inducer rubber coupling and tighten the hose clamps. The cut vent pipes must be joined using a PVC coupling or rubber coupling available from manufacturer.

## SECTION 24. ACCESSORIES

**THERMOSTATS:** Quality thermostats are available from the furnace manufacturer. Choose from the T87 (round w/subbase), T834 (heating and cooling) or the T8699 (Chronotherm III)--available in white only.

**PROPANE CONVERSION KIT (BELOW 6,000 ft):** Includes propane regulator-spring kit, propane pilot orifice and main burner orifices.

**HIGH-ALTITUDE PROPANE CONVERSION KIT (ABOVE 6000 FEET):** Includes propane regulator-spring kit, propane pilot orifice, main burner orifices, and high-altitude pressure switch.

**NATURAL GAS CONVERSION KIT (BELOW 6,000 ft):** Includes natural gas regulator-spring kit, natural gas pilot orifice and main burner orifices.

**HIGH-ALTITUDE NATURAL GAS CONVERSION KIT (ABOVE 6000 FEET):** Includes natural gas regulator-spring kit, natural gas pilot orifice, main burner orifices and high-altitude pressure switch.

**COMBUSTIBLE FLOOR BASE:** Required for downflow installation on wooden flooring. (Not required for horizontal installations).

**DOWNFLOW FILTER KIT:** Filter support mounts between furnace and downflow return plenum. Requires an access panel in plenum. Includes two 16" x 20" x 1" high-velocity, washable filters.

**FILTERS:** High-velocity washable filters, available in cartons of 10.

**RUBBER COUPLINGS AND CLAMPS:** May be installed in vent system to provide easier blower access. Each kit contains five sets of 2 couplings and 4 hose clamps.

## SECTION 25. OTHER INFORMATION AND PUBLICATIONS

These publications can help you install the furnace. You can usually find these at your local library or buy them directly from the publisher. Be sure to consult current edition of each standard.

National Fuel Gas Code                      ANSI Z223.1/NFPA 54

Canadian Installation Codes                CAN/CGA B149

National Electrical Code                    ANSI/NFPA Code 70

Canadian Electrical Code                    CSA C22.1

Standard For The Installation            ASHRAE/NFPA 90  
Of Warm Air Heating And Air  
Conditioning Systems.

For more information, contact these publishers:

**ANSI:**            American National Standards Institute Inc.  
1430 Broadway  
New York, New York 10018  
(212) 642-4900

**CSA:**            Canadian Standards Association  
178 Rexdale Boulevard  
Rexdale, Ontario, Canada M9W 1R3  
(416) 447-4044

**ASHRAE:**       American Society Of Heating Refrigeration And  
Air-Conditioning Engineers, Inc.  
1791 Tullie Circle N.E.  
Atlanta, GA 30329  
(404) 636-8400

**NFPA:**           National Fire Protection Association  
1 Batterymarch Park  
Quincy, MA 02269  
(617) 770-3000



## ADDITIONAL REQUIREMENTS FOR GAS-FIRED SIDEWALL VENTED APPLIANCES IN THE COMMONWEALTH OF MASSACHUSETTS

(Applies to UCA, DCA, VSA, CSA, WMCSA & WTCSA Series Furnaces)

The Commonwealth of Massachusetts requires compliance with regulations 248 CMR 4.00 and 5.00 for installation of sidewall vented gas appliances as follows:

For all side wall horizontally vented gas fueled equipment installed in every dwelling, building, or structure used in whole or in part for residential purposes, including those owned or operated by the Commonwealth and where the side wall exhaust vent termination is less than seven (7) feet above finished grade in the area of the venting, including but not limited to decks and porches, the following requirements shall be satisfied.

1. **INSTALLATION OF CARBON MONOXIDE DETECTORS.** At the time of installation of the side wall horizontal vented gas fueled equipment, the installing plumber or gasfitter shall observe that a hard wired carbon monoxide detector, with an alarm and battery back-up, is installed on the floor level where the gas equipment is to be installed. In addition, the installing plumber or gasfitter shall observe that a battery operated or hard wired carbon monoxide detector with an alarm is installed on each additional level of the dwelling, building, or structure served by the side wall horizontal vented gas fueled equipment. It shall be the responsibility of the property owner to secure the services of qualified licensed professionals for the installation of hard wired carbon monoxide detectors.
  - a. In the event the side wall horizontally vented gas fueled equipment is installed in a crawl space or an attic, the hard wired carbon monoxide detector with alarm and batter back-up may be installed on the next adjacent floor level.
  - b. In the event the requirements of this subdivision cannot be met at the time of completion of the installation, the owner shall have a period of thirty (30) days to comply with the above requirements; provided however, that during said thirty (30) day period a battery operated carbon monoxide detector with an alarm shall be installed.
2. **APPROVED CARBON MONOXIDE DETECTORS.** Each carbon monoxide detector as required in accordance with the above provisions shall comply with NFPA 720 and be ANSI/UL 2034 listed and IAS certified.
3. **SIGNAGE.** A metal or plastic identification plate shall be permanently mounted to the exterior of the building at a minimum height of eight (8) feet above grade directly in line with the exhaust vent terminal for the horizontally vented gas fueled heating appliance or equipment. The sign shall read, in print size no less than one-half (1/2) inch in size, "GAS VENT DIRECTLY BELOW. KEEP CLEAR OF ALL OBSTRUCTIONS".
4. **INSPECTION.** The state or local gas inspector of the side wall horizontally vented gas fueled equipment shall not approve the installation unless, upon inspection, the inspector observes carbon monoxide detectors and signage installed in accordance with the provisions of 248 CMR 5.08 (2) (a) 1 through 4.
5. **EXEMPTIONS.** The following equipment is exempt from 248 CMR 5.08 (2) (a) 1 through 4:
  - a. The equipment listed in Chapter 10 entitled "Equipment Not Required To Be Vented" in the most current edition of NFP{A 54, as adopted by the Board.
  - b. Product approved for side wall horizontally vented gas fueled equipment installed in a room or structure separate from the dwelling, building, or structure used in whole or in part for residential purposes.

6. MANUFACTURER REQUIREMENTS – GAS EQUIPMENT VENTING SYSTEM PROVIDED. When the manufacturer of product approved side wall horizontally vented gas equipment provides a venting system design or venting system components with the equipment, the instructions provided by the manufacturer for installation of the equipment and the venting system shall include:
  - a. Detailed instructions for the installation of the venting system design or the venting system components.
  - b. A complete parts list for the venting system design or venting system.
7. MANUFACTURER REQUIREMENTS – GAS EQUIPMENT VENTING SYSTEM NOT PROVIDED. When the manufacturer of a product approved side wall horizontally vented gas fueled equipment does not provide the parts for venting the flue gases, but identifies “special venting systems”, the following requirements shall be satisfied by the manufacturer:
  - a. The referenced “special venting system” instructions shall be included with the appliance or equipment installation instructions.
  - b. The “special venting system” shall be product approved by the Board, and the instructions for that system shall include a parts list and detailed installation instructions.
8. A copy of all installation instructions for all product approved side wall horizontally vented gas fueled equipment, all venting instructions, all parts lists for venting instructions, and/or all venting design instructions shall remain with the appliance or equipment at the completion of the installation.

**These Supplemental Instructions are in addition to the requirements of the basic Installation and Operation Manual. The Commonwealth of Massachusetts has additional and / or supplemental installation requirements which must be met. If it is found that any provision of the Installation and Operation Manual is in conflict with the Supplemental Instructions, the provisions of the Supplemental Instructions for the Commonwealth of Massachusetts shall have precedence for Massachusetts installations.**